

1810

A SCHOCK GROUP COMPANY

PRODUCT RANGE

SINK
TAPS
ACCESSORIES



Valid from May 2024

Contents

Sinks

Bespoke	12
Axix Range	14
Zen Range	24
Zen15 Range	36
Zen15 PVD Range	45
Zen I-F Range	48
Zen15 I-F Range	54
Zen15 XXL Range	61
Zen15 Belfast Range	64
Zen Accessible Range	66
Zen10 Options Range	68
Accessory Trough Range	72
LuxsoPlus Range	76
Etro Range	84
Razor10 Range	92
Forza Range	96
Bordo Range	100
Velore Range	104
Bilancio Range	108
Zen Contratto Range	111
Maya Range	116
Etro Ceramic Range	118
Argilla Fireclay Range	120

Taps

Fontaine	125
Courbe	125
Cascata	126
Pluie	126
Curvato	127
Curvato Cross	127
Ruscello	128
Davanti	128
Versare	129
1810XXX	129
Pendenza	130
Aero	130
Finire Knurled	131
Novanta	131
Davanti Pull Out Spray	132
Grande	132
Spruzzo	133
Curvato Trio Filter Tap	133

QFit Taps

Estrarre	135
Ritrarre	135

CRISTALITE®-Inspired Taps

Cascata Chrome	137
Courbe Chrome	137

Spirale Taps

Spirale	139
Spirale Knurled	140
Spirale Spring	140
Spirale Hose Colours	141

Traditional Taps

Rodez	143
Moulins	143

Industrial-Style Taps

Henry Holt Collection

Single Lever	145
Twin Lever	145
Bridge Mixer	146
Wall Mounted	146

Integrated Soap Dispensers

Modern Soap Dispenser	148
Henry Holt Soap Dispenser	148
Traditional Soap Dispenser	149

Accessories

Waste Bins	150
Accessories	151
Tap Display Stands	155
Base unit size guide	158
Care & Cleaning	160
Warranty	161

Ranges...

1 Bespoke

The 1810 Bespoke service allows you to create a unique sink design to your own specification.

2 Axix

This unique concept allows for a combination of solid surface, quartz or stone and a contemporary designed sink.

3 Zen

The Zen range is a contemporary linear design with striking square and rectangular bowls.

4 Zen15

The Zen15 range has a contemporary linear design with a subtle 15mm internal radius.

5 Zen15 PVD

A selection of handmade bowls finished in a durable PVD coating.

6 Zen I-F

The Zen I-F range are handmade insets with a slim 1.5mm profile for a flush look.

7 Zen15 I-F

The Zen15 I-F range are handmade insets with a 15mm internal radius.

8 Zen15 XXL

The Zen15 XXL range are extra large handmade undermounts with a 15mm internal radius.

9 Zen15 Belfast

A contemporary option to a traditional Belfast sink which looks perfect in both traditional and modern kitchen designs.

10 Accessible

A sink and tap combination suitable for use in accessible kitchens.

11 Zen10 Options

A range of contemporary undermount sinks with a choice of versatile accessories to turn your sink into a multi-purpose workstation.

12 Accessory Trough

The versatile Accessory Trough range is the perfect final touch to every kitchen.

13 LuxsoPlus

The LuxsoPlus range is a contemporary design with 25mm radius corners.

14 Etro

The Etro range has a curved classic design.

15 Razor10

A range of stainless steel inset sinks featuring a 10mm radius, 3.5mm thick top deck and contemporary 'Razor' edge profile.

16 Forza

The handmade Forza range feature a 15mm internal radius and benefit from 1.2mm thick steel providing strength and durability.

17 Bordo

A range of inset sinks featuring the latest in contemporary design.

18 Velore

The Velore range combines modern design, high specification and competitive pricing.

19 Bilancio

A range of inset sinks combining durability with a sleek design.

20 Zen Contratto

A range of competitively priced, handmade sinks specifically designed for the contract market.

21 Maya

Quartz belfast sink with 0%-dimension tolerance.

22 Etro Ceramic

A classic curved design providing an ultra-smooth white surface and ultimate durability.

23 Argilla Fireclay

A range of highly durable white fireclay sinks featuring a non-porous surface with an everlasting shine.

24 1810 Taps

1810 taps are available in a variety of contemporary and classic designs. All are supplied with a Neoperl Aerator for a non-splash creamy flow.

25 QFit Taps

Easy installation in under three minutes.

26 CRISTALITE®-Inspired Taps

A range of CRISTALITE®-inspired taps to complement your SCHOCK CRISTALITE® sink.

27 Spirale Taps

With a flexible hose in over 300 different configurations.

28 Traditional / Industrial-Style Taps

Timeless kitchen taps in a choice of stylish finishes.

29 Henry Holt Collection

A range of industrial-style kitchen taps in a choice of seven stylish finishes.

30 Soap Dispensers

A range of top-filled, easy-to-fit soap dispensers in a choice of colours and styles.

31 Accessories

A selection of accessories to enhance your kitchen sink.

32 Tap Display Stands

Showroom display stands for 1810 and SCHOCK taps

Welcome to...

The 1810 Company.

We supply an evergrowing range of sinks, taps and accessories, and that's it! We have a simple philosophy, which is to supply innovative and contemporary European design in a wide range of standard and more unique size combinations, appealing to those who appreciate superior quality and style.



All our products are in stock and despatched from our UK distribution centre on a next working day delivery service (cut-off times apply).

www.the1810company.co.uk



The 1810 / SCHOCK UK trade showroom is located in the Business Design Centre, London. The majority of our sinks and taps are showcased here together with our latest products and innovations.

As we hold regular trade events at the showroom, we would recommend that you telephone ahead of your visit to ensure that there will be someone available to meet with you.

Address.

Suite 303, Business Design Centre
Upper Street, The Angel, London N1 0QH

Tel. 07754 757322

Email. sales@the1810company.co.uk

Opening hours: Our Islington showroom is not manned every day. Please call to book an appointment.

Visiting us

By train: We are 5 minutes walk from The Angel tube station (Northern line) allowing you to travel to and from Central London in minutes. Just a little further in the opposite direction is Highbury and Islington with great underground and overground connections.

By car: Driving to the venue is simple as we are located just outside the congestion charge zone on the A1, there is also a NCP car park onsite



The 1810 Company was established in 2009, and since then has continually strived to provide high-quality, contemporary-style kitchen sinks, taps and accessories to meet the requirements of an exciting and ever-changing industry.

During this time, we have enjoyed many highlights including the launch of 1810's innovative AXIX range of sinks, and opening our showroom at the Business Design Centre in Islington – becoming the first sink and tap brand to open a dedicated London-based showroom.

This was followed by the opening of our showroom at our Head Office in Mold, North Wales, before The 1810 Company became part of the SCHOCK Group in 2022.

But what we are most proud of is being a part of the numerous projects and successes over the years. Seeing 1810's products integrated into so many amazing kitchen designs is truly special to us, and something everyone at The 1810 Company is sincerely grateful for.

This 15 year milestone wouldn't be possible without our customers and we would like to thank you for being an integral part of our journey. We hope we can continue to support your business for the next 15 years and beyond!

A streamlined online ordering experience...

In January 2024 we re-launched The 1810 Company's website, marking the introduction of our integrated online ordering platform.

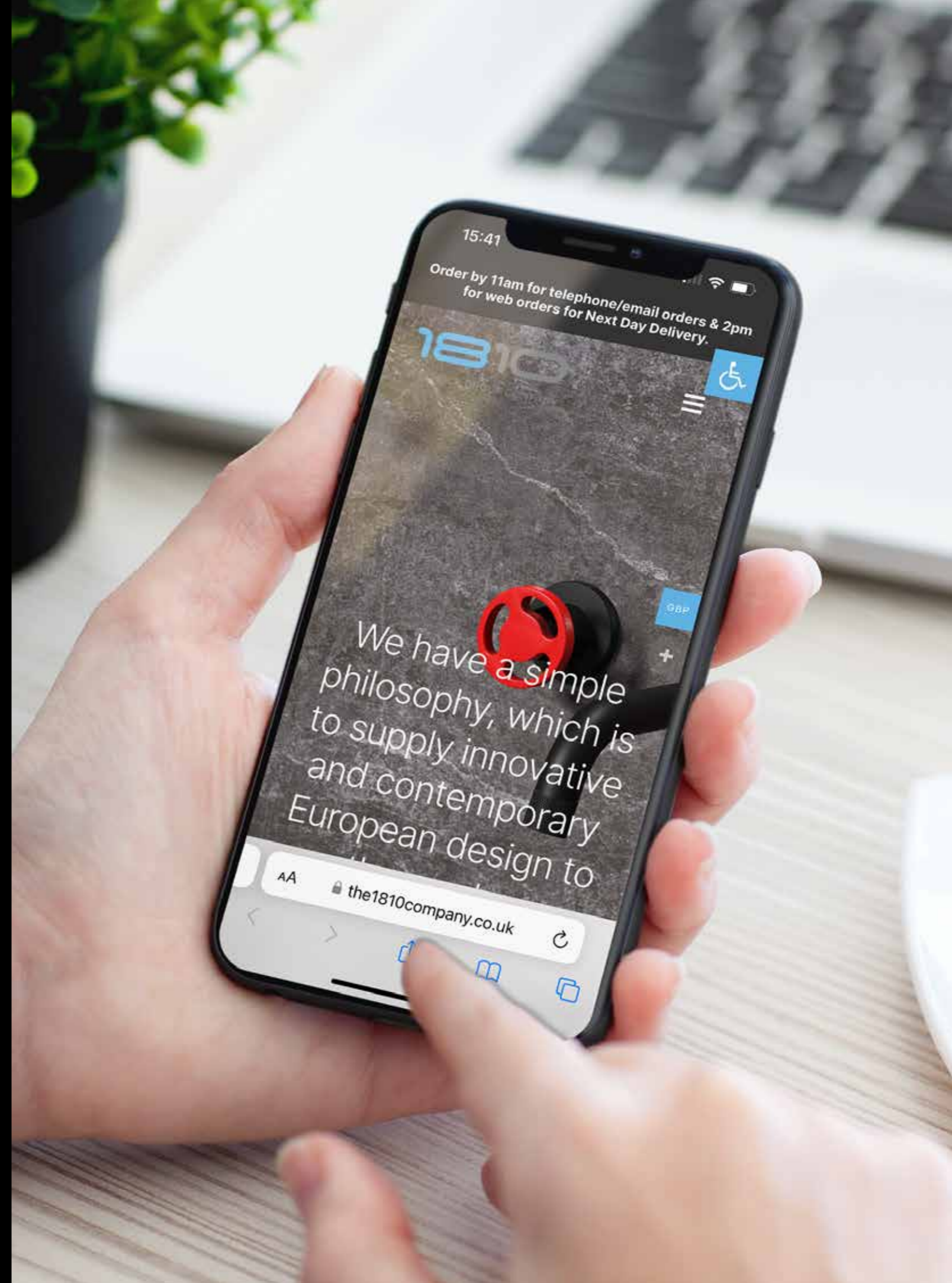
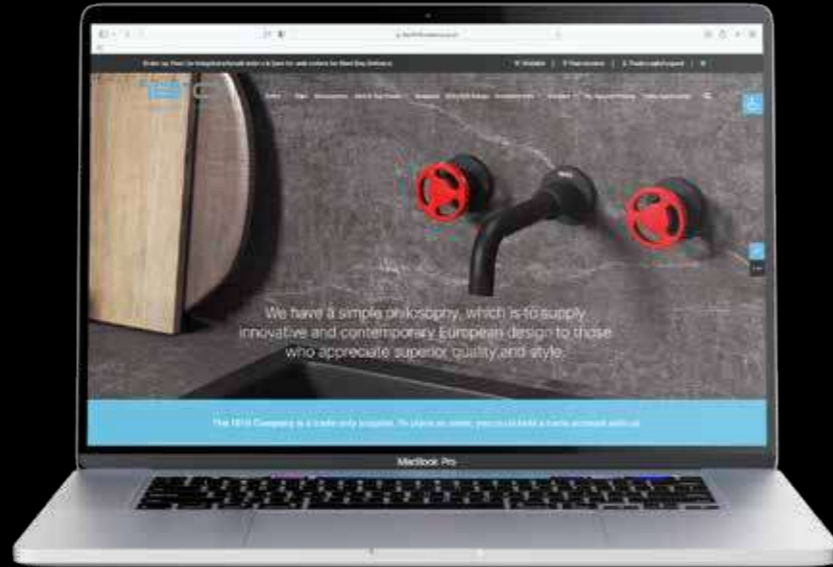
This allows customers to log into the website and browse the entire 1810/SCHOCK UK product range, view their pricing and place orders all on one easy-to-navigate site.

Once logged in, customers can also view pricing for Sink & Tap Packs, and also have access to our Clearance Section, offering unbeatable prices on selected products.

To discover more of the updated features, and keep up to date with new products, offers and services scan the QR code below.



SCAN THE QR CODE
TO VISIT OUR NEW WEBSITE



The Brand Ambassador Elite Programme.



Want more benefits as a customer of The 1810 Company/SCHOCK UK.

Why not become a Brand Ambassador?

Being part of the Brand Ambassador Programme (BAP) gives customers access to exclusive benefits which aim to strengthen their partnership with 1810/SCHOCK.

In exchange for showroom displays and brand commitment, BAP customers can expect a range of benefits.

These benefits include:

- Free of charge displays
- Reduced pricing on 1810's Bespoke range
- No minimum order charge or delivery charges
- Eligibility for Dealer of the Quarter and Dealer of the Year awards
- Dual-branded corporate clothing
- Reduced restocking fees

BAP customers will also be listed on our Dealer Locator map on The 1810 Company's website, therefore receiving further exposure.

To find out about more of the benefits on offer, and how to become a Brand Ambassador, please email info@the1810company.co.uk



As part of the re-launch of our Brand Ambassador Programme, Brand Ambassadors are set to receive a gift-filled welcome box as a thank you for coming onboard.

The box will feature a range of 1810/SCHOCK-related goods and this will be accompanied by a bottle of champagne and biscuits.

Becoming part of the Programme allows the customer to enjoy exclusive benefits, including no minimum order charges or delivery charges, and access to reduced pricing for 1810's Bespoke range. To find out more about the programme and the full list of benefits included, please email info@the1810company.co.uk



Here's what Brand Ambassador, Sean Cooper of CKP says about our products and services...

Sean Cooper
Business Owner & Director

Cheshire Kitchen Projects
Showrooms in Poynton and Eccles

"We were approached by 1810 and we were using a competitor at the time. But the leadtime with 1810 is more convenient for us and the customer service is brilliant.

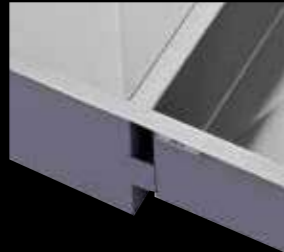
There is a wide range of products and finishes and everything matches up, and the speed of delivery - we get our orders next day which is great. It's really easy.

We use a wide range of products, from the 1810 undermount sinks to SCHOCK, and they're brilliant."



And now the boring stuff...

We don't want to be too technical but there are some features about The 1810 Company sinks and taps we think you would like to know.



Here at The 1810 Company we like to keep things simple so you will notice in our model codes 'BBR' & 'BBL' this is an easy reference for you when ordering...

BBR - Big bowl right
BBL - Big bowl left
See... simple!

Quality of manufacturing and integrity of the sinks is very important. We brace all two bowl sinks to eliminate stress on the bridge between the bowls and strengthen the construction (available on all Zen, Luxsoplus and Etro steel sinks).

During manufacture we go the extra mile to finish the edges on our undermount sinks even though it isn't seen when fitted. It also allows certain models to be inset / topmounted for a more luxurious look.

The quality of steel we use meets the most exacting standards 1.2mm, 18 gauge is used for our Zen, Etro, Forza and Luxsoplus models and all steel used is medical grade 18/10 304 quality. The best for stainless steel sink manufacturing.



INSUSOUND®

Our sinks are treated on the underside with a protective powder coating, which we call 'Insusound'. This will help retain the heat of the water in the bowl, and dramatically reduce noise when fitting a waste disposal unit. (Available on all Zen, Luxsoplus and Etro steel sinks).



A Compact Plumbing Kit is available as a no cost option – please specify at time of sink purchase.



Most 1810 sinks are supplied with a BS approved maximiser plumbing kit, which is also available to purchase separately. This kit is comprehensive and includes all parts required for any sink installation.

Please refer to the 'How to assemble' video on our website.



Most of our taps have WRAS approval. Look out for the logo on our tap pages. WRAS Approval is granted by representatives of water suppliers and is therefore accepted by every water supplier in the UK. WRAS Approval is the best way to ensure compliance and that your tap is manufactured to the highest standards.



1810 products are manufactured to the highest standard. In accordance with the Construction Products Directive (89 / 106 / EEC), all of our sinks are tested to BS EN 13310: 2003 / BS EN 13310 : 2015 and are CE certified.



High heat resistance (1200°C) hygienic and non-porous as well as chemical resistant makes our **CERAMICA PURO** a popular choice. The ultra smooth white surface gives a clean look. Make sure you follow the installation guide.

Fireclay sinks are heat resistant to 1600°C and are hygienic, non-porous and chemical resistant. They are extremely hardwearing and feature an everlasting shiny surface.

What is PVD?
PVD stands for Physical Vapour Deposition. A process used to create a very durable, corrosion and tarnish free finish. PVD is extremely durable but not invincible, scratches will appear as they do with stainless steel but will also develop a patina with time.

The Purquartz range is manufactured using German technology. Comprising of 80% natural Quartz particles, the sinks are both heat (230°C) and food stain resistant. Purquartz sinks are durable and made to last.



- QFIT taps supplied fully pre-assembled
- Reduced installation time – approximately 3 minutes
- One-man fit
- Easy installation from above worksurface area
- Torque tightened for maximum reliability
- 100% safe and approved installation method
- Eliminates remedial works

THE 1810 COMPANY SUPPORTS

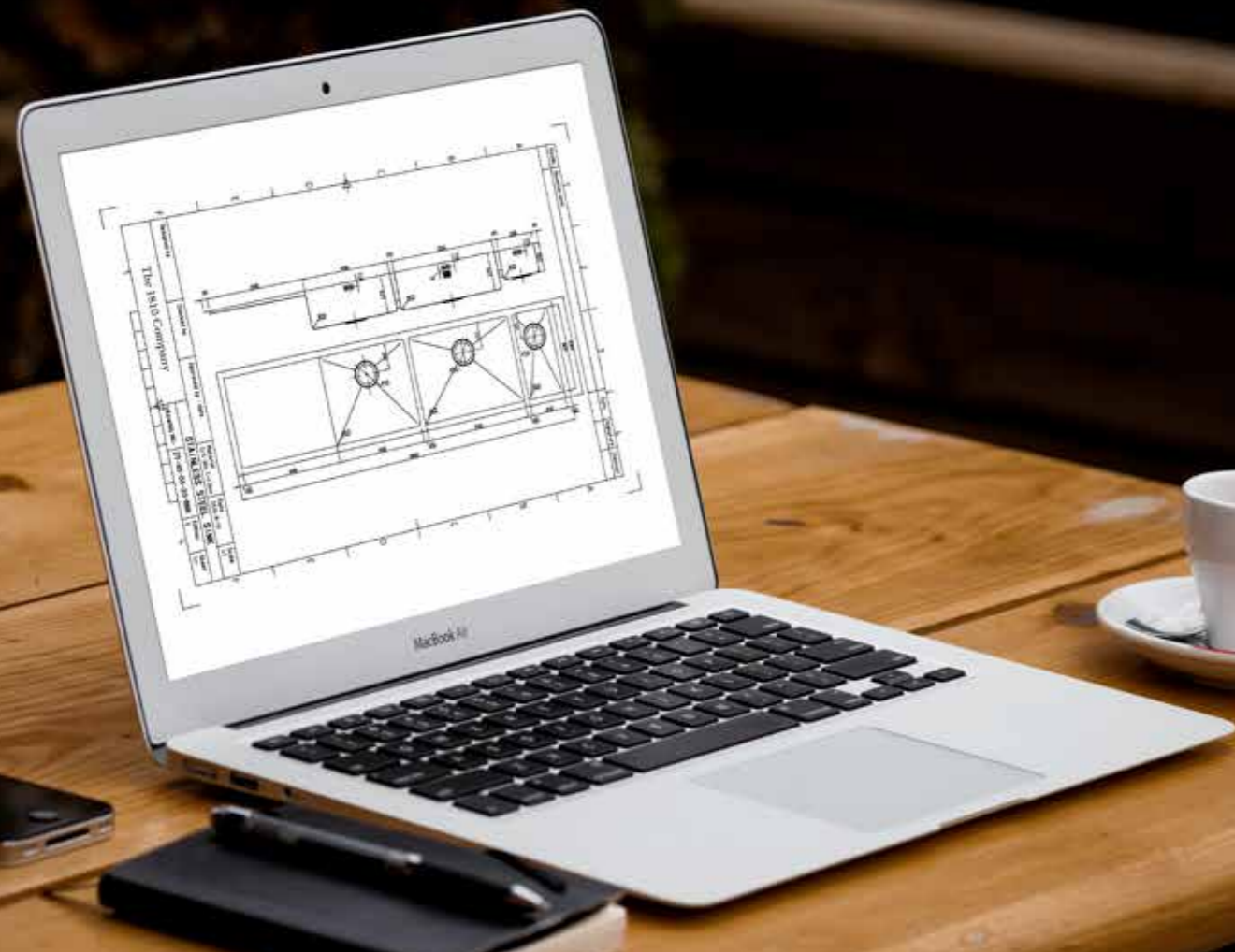


REG CHARITY: 1062559 (ENGLAND & WALES), SC039757 (SCOTLAND)

Are a dedicated charity who support young people who have been diagnosed with cancer in the UK. For every 1810 Curvato Trio tap purchased, we will donate £5 to this very worthy cause.

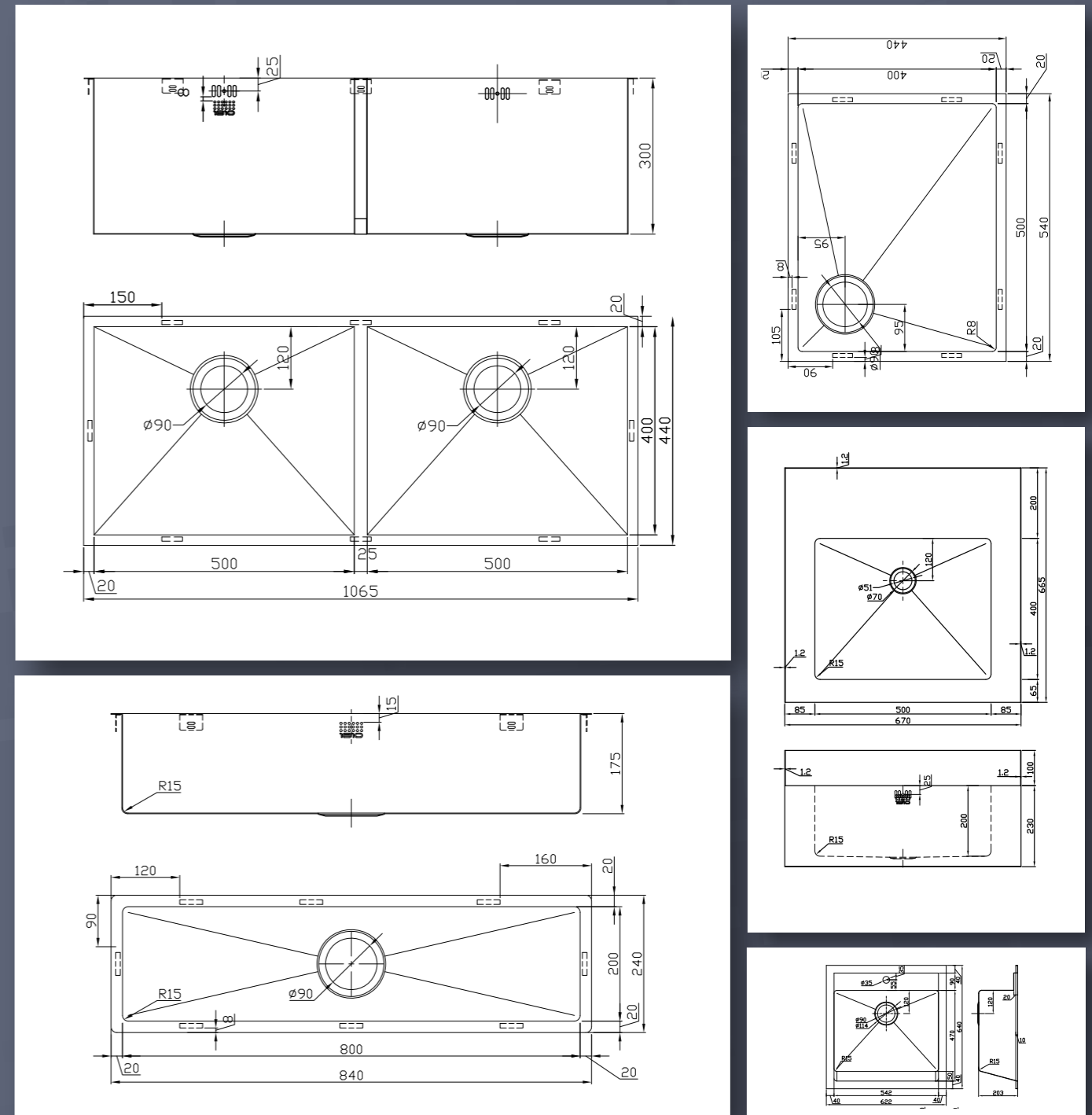


Bespoke kitchen sink manufacturing service



The **1810 Bespoke** service allows you to create a unique sink design either for personal preference or to work within design and space limitations.

Please see below for examples of Bespoke project requests undertaken.



AXIX

Seamless Technology



This unique concept allows for a combination of solid surface, quartz or stone and a contemporary designed sink to give a finished look of a steel bottomed material clad sink but without a join between the surface and the sink at the base.



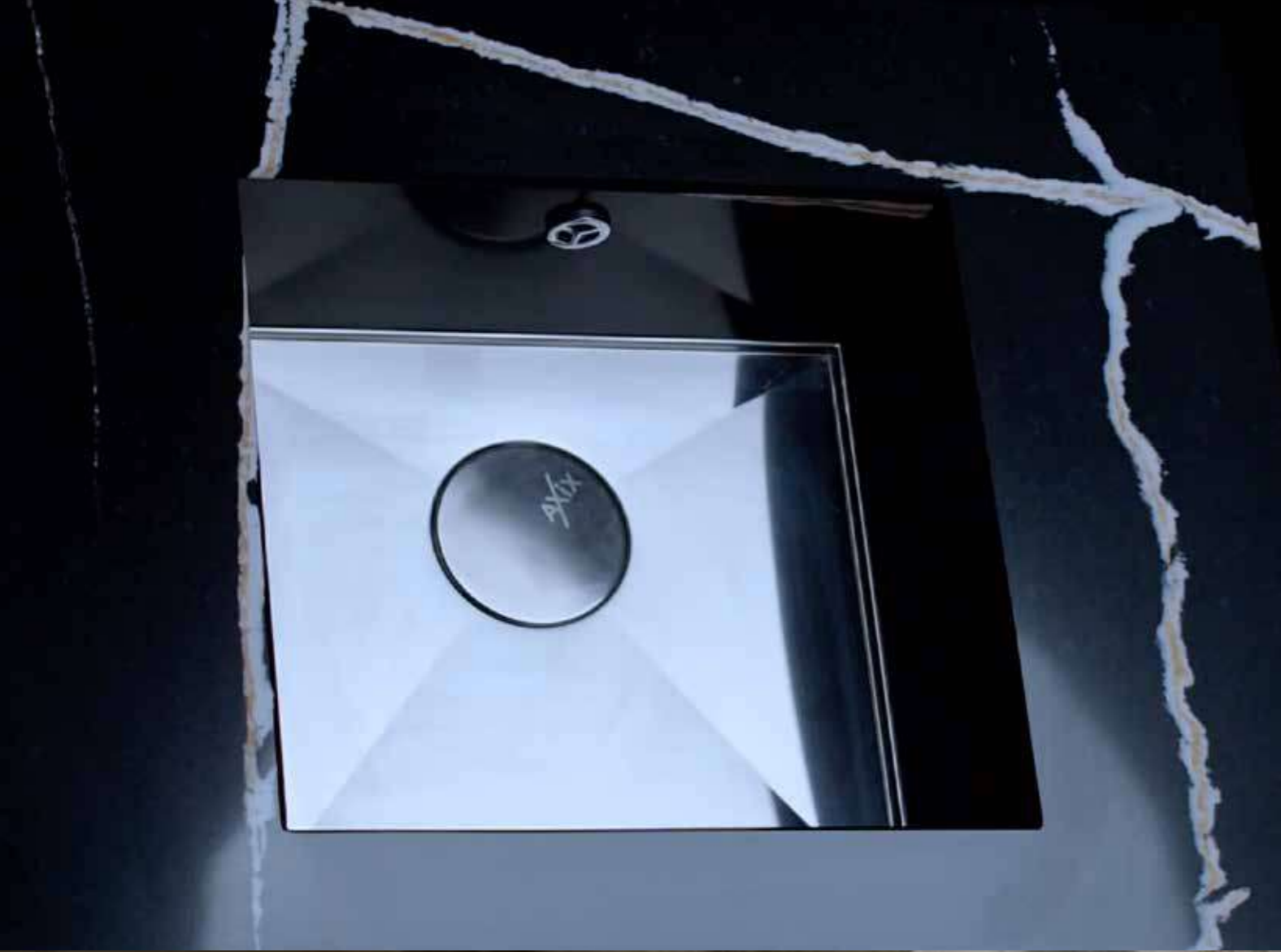
This system allows for a straightforward fabrication method that can be completed in the workshop using standard tools and create a watertight solution that allows the use of hot/boiling water taps and creates an upmarket contemporary finish.

The AXIX sinks are manufactured to the same exacting standards of every 1810 sink using 1.2mm, 304 grade stainless steel. A PVD finish in Copper, Gunmetal, Matte Black or Gold Brass is also available. All sinks have protective powder coating on the underside (Insusound) which insulates helping to retain the heat of the water in the bowl whilst also reducing noise if a waste disposer is fitted. A full maximiser plumbing kit is also supplied providing all parts required for any sink installation.



AXIX is also backed by our 75 year guarantee that warrants the sinks to be free of manufacturing defects in material and workmanship under normal usage. Any warranty on the fabrication component is the responsibility of the fabricator or retailer.





Base Unit Guide.

300mm



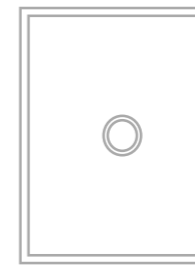
AXIX UNO 190U

300mm



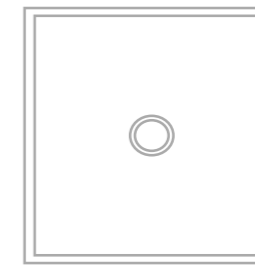
AXIX UNO 210U

400mm



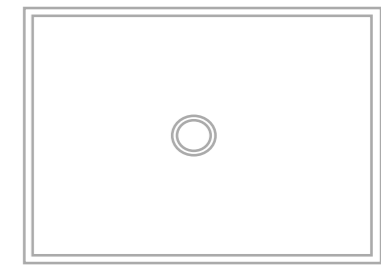
AXIX UNO 355U

500mm



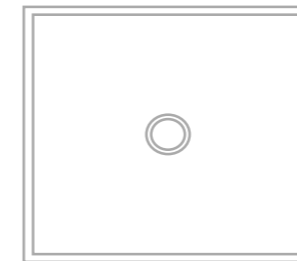
AXIX UNO 450U

800mm



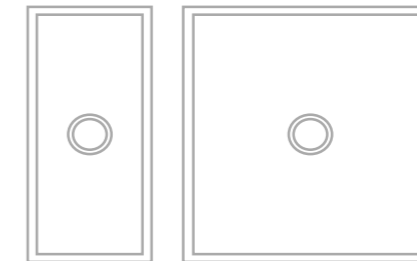
AXIX UNO 700U

600mm



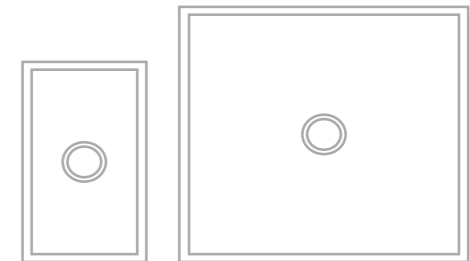
AXIX UNO 500U

600mm



SET A

600mm



SET B

A combination of bowl sizes can be used for bigger base units



AXIXUNO 190U (SOLID SURFACE)

1810 Code AU/19/U/S/16MM/SOS/456



AXIXUNO 210U (QUARTZ/GRANITE)

1810 Code AU/21/U/S/26MM/QG/459



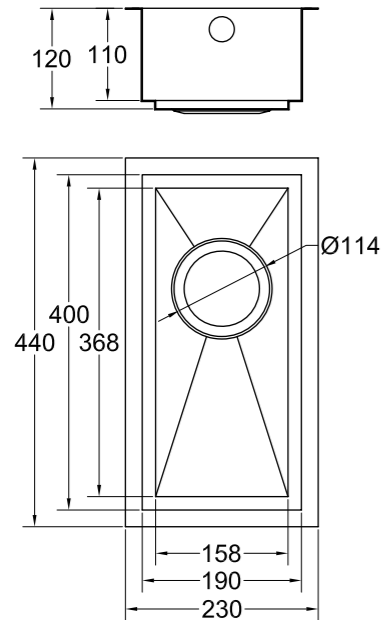
AXIXUNO 355U (SOLID SURFACE)

1810 Code AU/355/U/S/16MM/SOS/460



AXIXUNO 355U (QUARTZ/GRANITE)

1810 Code AU/355/U/S/26MM/QG/461



AXIXUNO 190U SOS STAINLESS STEEL

Minimum Sink Cabinet Size: **300mm**
For accessories see page 151

Also available in:



Copper
AU/19/U/COP/16MM/SOS/556



Gunmetal
AU/19/U/GM/16MM/SOS/656

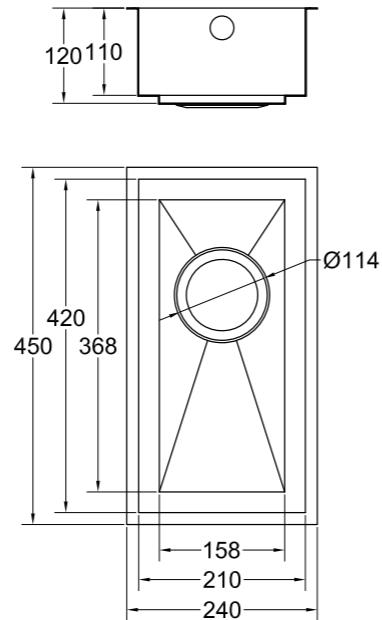


Gold Brass
AU/19/U/GB/16MM/SOS/756



Matte Black **NEW**
AU/19/U/MB/16MM/SOS/956

- Handmade bowl
- 3 1/2" basket strainer waste and overflow included
- Individually boxed
- Steel thickness 1.2mm
- Maximiser plumbing kit included
- Axix waste tidy included
- Installation: Undermount
- Insusound®



AXIXUNO 210U QG STAINLESS STEEL

Minimum Sink Cabinet Size: **300mm**
For accessories see page 151

Also available in:



Copper
AU/21/U/COP/26MM/QG/559



Gunmetal
AU/21/U/GM/26MM/QG/659

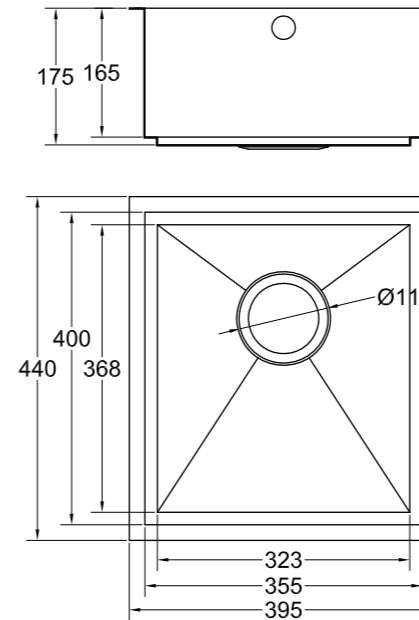


Gold Brass
AU/21/U/GB/26MM/QG/759



Matte Black **NEW**
AU/21/U/MB/26MM/QG/959

- Handmade bowl
- 3 1/2" basket strainer waste and overflow included
- Individually boxed
- Steel thickness 1.2mm
- Maximiser plumbing kit included
- Axix waste tidy included
- Installation: Undermount
- Insusound®



AXIXUNO 355U SOS STAINLESS STEEL

Minimum Sink Cabinet Size: **400mm**
For accessories see page 151

Also available in:



Copper
AU/355/U/COP/16MM/SOS/560



Gunmetal
AU/355/U/GM/16MM/SOS/660

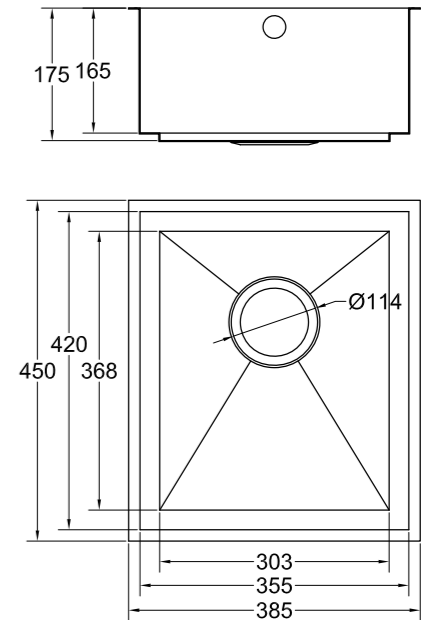


Gold Brass
AU/355/U/GB/16MM/SOS/760



Matte Black **NEW**
AU/355/U/MB/16MM/SOS/960

- Handmade bowl
- 3 1/2" basket strainer waste and overflow included
- Individually boxed
- Steel thickness 1.2mm
- Maximiser plumbing kit included
- Axix waste tidy included
- Installation: Undermount
- Insusound®



AXIXUNO 355U QG STAINLESS STEEL

Minimum Sink Cabinet Size: **400mm**
For accessories see page 151

Also available in:



Copper
AU/355/U/COP/26MM/QG/561



Gunmetal
AU/355/U/GM/26MM/QG/661



Gold Brass
AU/355/U/GB/26MM/QG/761



Matte Black **NEW**
AU/355/U/MB/26MM/QG/961

- Handmade bowl
- 3 1/2" basket strainer waste and overflow included
- Individually boxed
- Steel thickness 1.2mm
- Maximiser plumbing kit included
- Axix waste tidy included
- Installation: Undermount
- Insusound®



AXIXUNO 450U (SOLID SURFACE)

1810 Code AU/45/U/S/16MM/SOS/450

AXIXUNO 450U (QUARTZ/GRANITE)

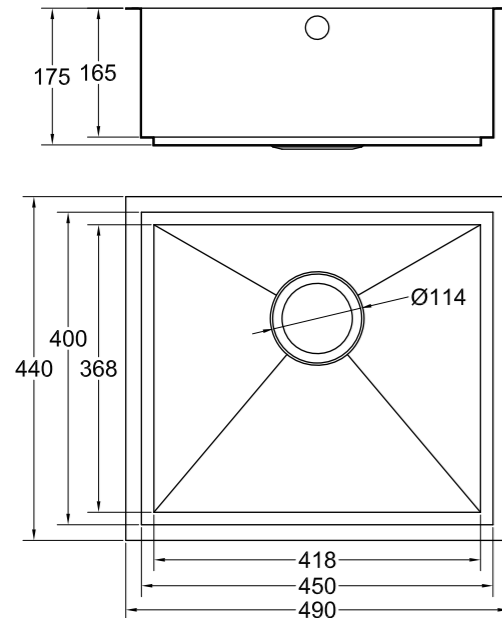
1810 Code AU/45/U/S/26MM/QG/451

AXIXUNO 500U (SOLID SURFACE)

1810 Code AU/50/U/S/16MM/SOS/452

AXIXUNO 500U (QUARTZ/GRANITE)

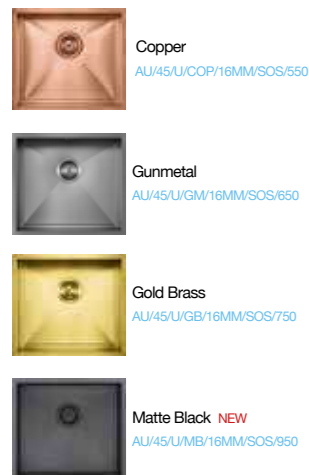
1810 Code AU/50/U/S/26MM/QG/453



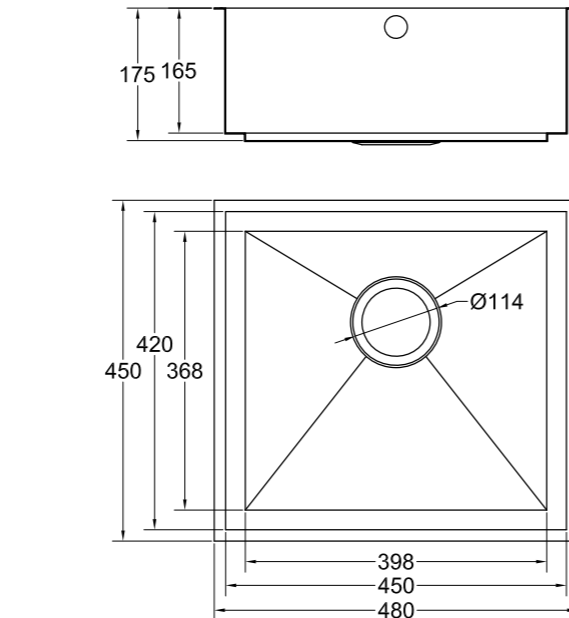
AXIXUNO 450U SOS STAINLESS STEEL

Minimum Sink Cabinet Size: **500mm**
For accessories see page 151

Also available in:



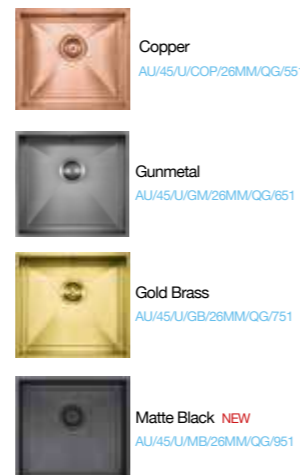
- Handmade bowl
- 3 1/2" basket strainer waste and overflow included
- Individually boxed
- Steel thickness 1.2mm
- Maximiser plumbing kit included
- Axix waste tidy included
- Installation: Undermount
- Insusound®



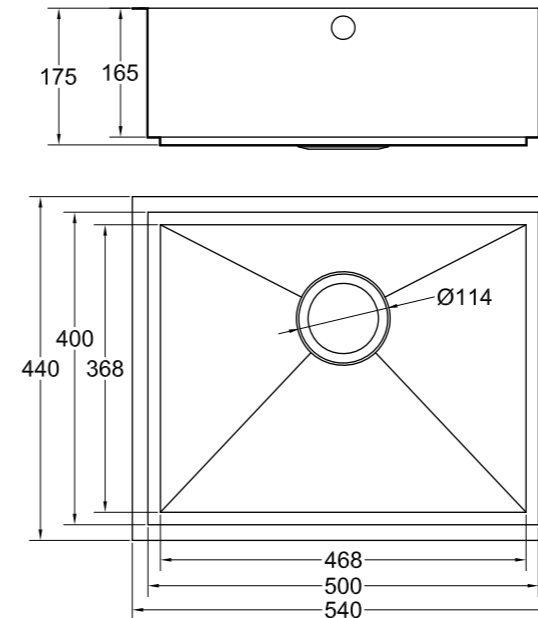
AXIXUNO 450U QG STAINLESS STEEL

Minimum Sink Cabinet Size: **500mm**
For accessories see page 151

Also available in:



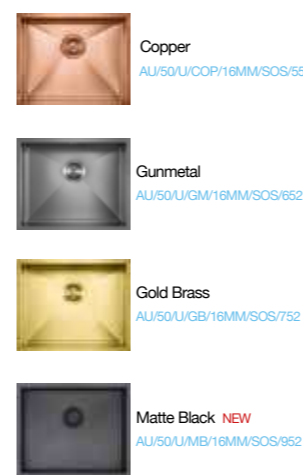
- Handmade bowl
- 3 1/2" basket strainer waste and overflow included
- Individually boxed
- Steel thickness 1.2mm
- Maximiser plumbing kit included
- Axix waste tidy included
- Installation: Undermount
- Insusound®



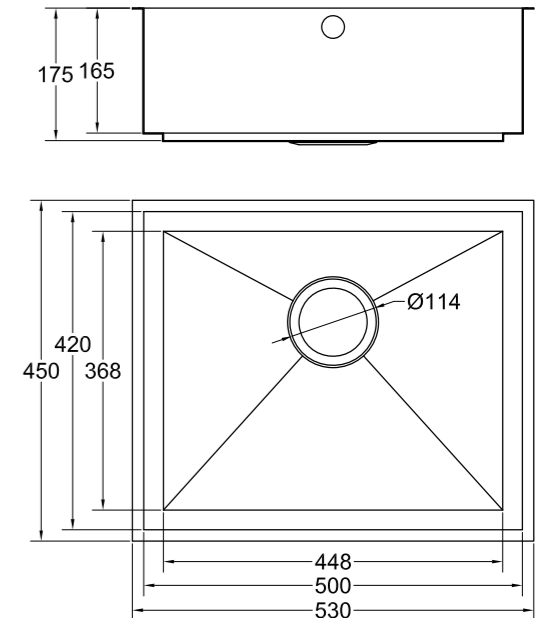
AXIXUNO 500U SOS STAINLESS STEEL

Minimum Sink Cabinet Size: **600mm**
For accessories see page 151

Also available in:



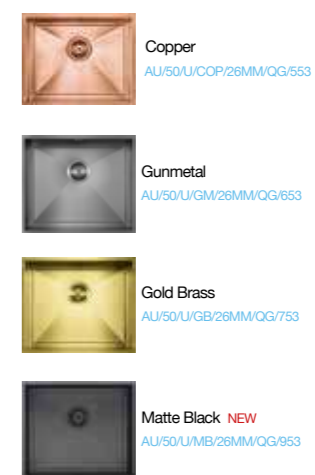
- Handmade bowl
- 3 1/2" basket strainer waste and overflow included
- Individually boxed
- Steel thickness 1.2mm
- Maximiser plumbing kit included
- Axix waste tidy included
- Installation: Undermount
- Insusound®



AXIXUNO 500U QG STAINLESS STEEL

Minimum Sink Cabinet Size: **600mm**
For accessories see page 151

Also available in:



- Handmade bowl
- 3 1/2" basket strainer waste and overflow included
- Individually boxed
- Steel thickness 1.2mm
- Maximiser plumbing kit included
- Axix waste tidy included
- Installation: Undermount
- Insusound®



AXIXUNO 700U (SOLID SURFACE)

1810 Code AU/70/U/S/16MM/SOS/454

AXIXUNO 700U (QUARTZ/GRANITE)

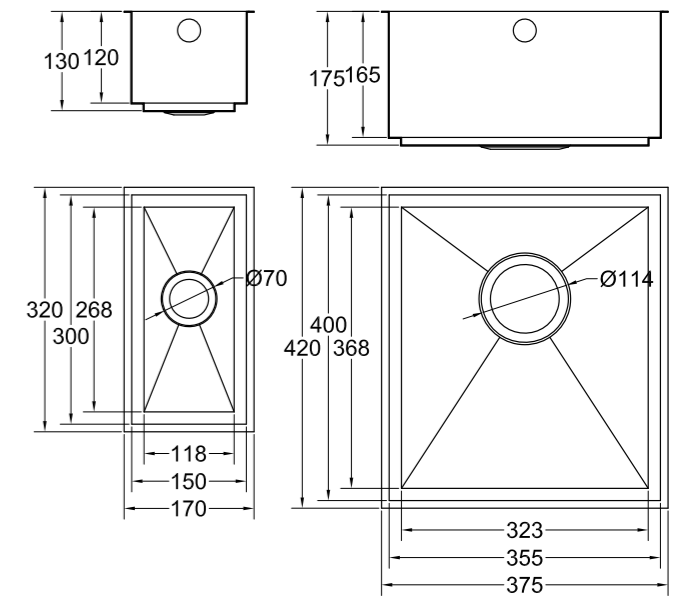
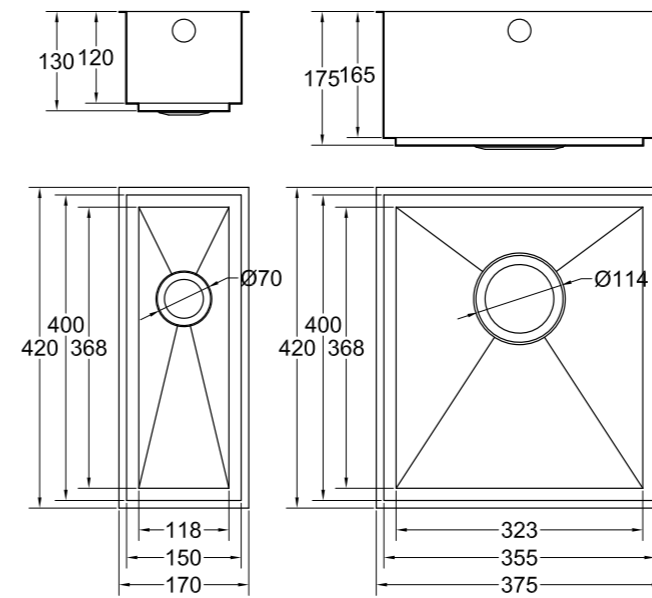
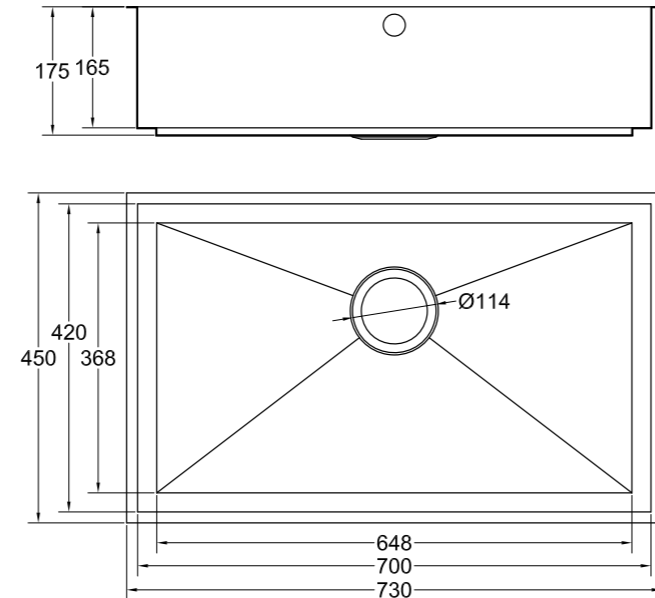
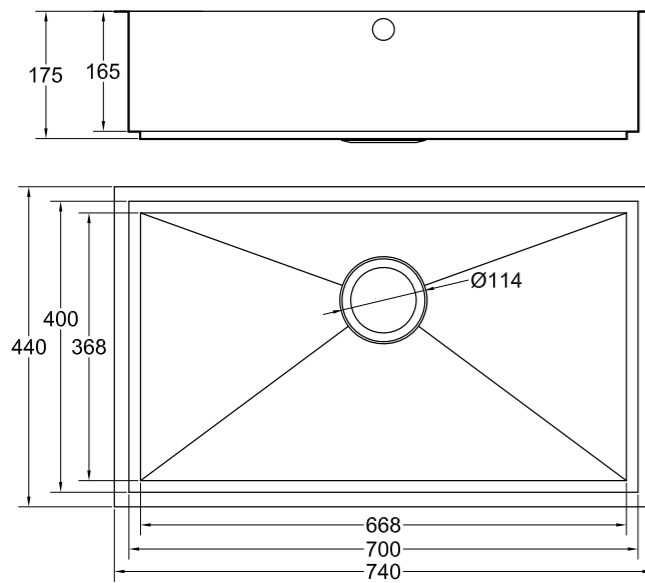
1810 Code AU/70/U/S/26MM/QG/455

AXIXUNO SET A - 355U & 150U (FULL HALF BOWL)

1810 Code AU/3515-400/U/S/16MM/SOS/457

AXIXUNO SET B - 355U & 150U (SHORT HALF BOWL)

1810 Code AU/3515-300/U/S/16MM/SOS/458



AXIXUNO 700U SOS STAINLESS STEEL

Minimum Sink Cabinet Size: **800mm**
For accessories see page 151

Also available in:



- Handmade bowl
- 3 1/2" basket strainer waste and overflow included
- Individually boxed
- Steel thickness 1.2mm
- Maximiser plumbing kit included
- Axix waste tidy included
- Installation: Undermount
- Insusound®

AXIXUNO 700U QG STAINLESS STEEL

Minimum Sink Cabinet Size: **800mm**
For accessories see page 151

Also available in:



- Handmade bowl
- 3 1/2" basket strainer waste and overflow included
- Individually boxed
- Steel thickness 1.2mm
- Maximiser plumbing kit included
- Axix waste tidy included
- Installation: Undermount
- Insusound®

AXIXUNO SET A - 355U & 150U (FULL HALF BOWL) STAINLESS STEEL

Minimum Sink Cabinet Size: **600mm**
For accessories see page 151

Also available in:



- Handmade bowls
- 3 1/2" basket strainer waste and overflow included
- Individually boxed
- Steel thickness 1.2mm
- Maximiser plumbing kit included
- Axix waste tidy included
- Installation: Undermount
- Insusound®

AXIXUNO SET B - 355U & 150U (SHORT HALF BOWL) STAINLESS STEEL

Minimum Sink Cabinet Size: **600mm**
For accessories see page 151

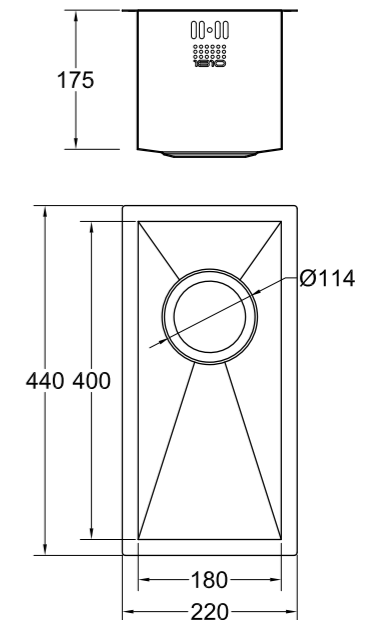
Also available in:




- Handmade bowls
- 3 1/2" basket strainer waste and overflow included
- Individually boxed
- Steel thickness 1.2mm
- Maximiser plumbing kit included
- Axix waste tidy included
- Installation: Undermount
- Insusound®



ZENUNO 180U
1810 Code ZU/18/U/S/017



ZENUNO 180U STAINLESS STEEL
Minimum Sink Cabinet Size: **300mm**
For accessories see page 151

- Undermounted handmade bowl. Can also be flushmounted or inset
- Satin finish
- 3 1/2" Basket strainer waste and overflow included
- Individually boxed
- Steel thickness 1.2 mm
- Maximiser plumbing kit included
- Installation: Inset, Undermount, Flush
- Insusound® 



The Zen Range

The Zen range is a contemporary linear design featuring striking square and rectangular bowls.

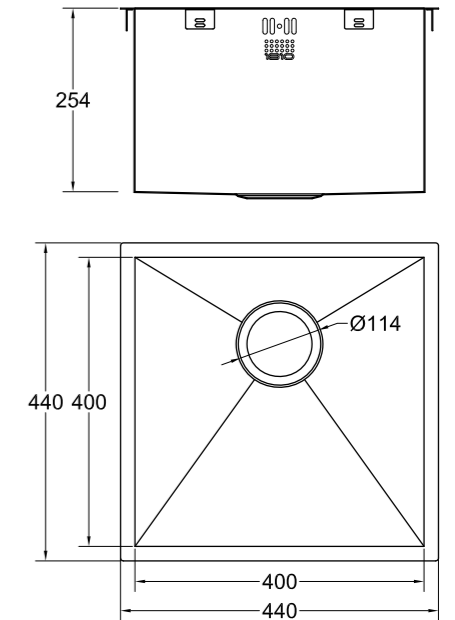
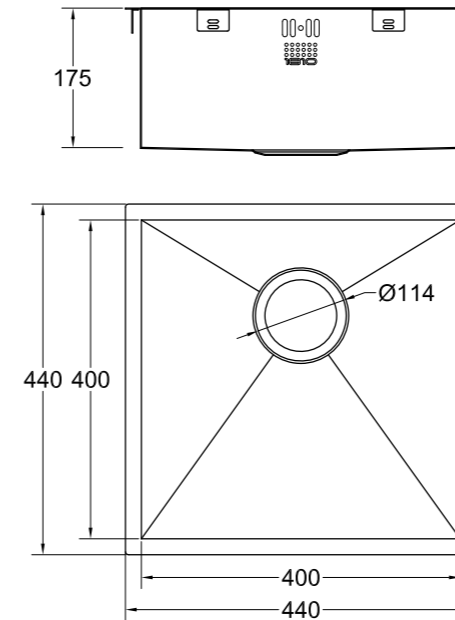
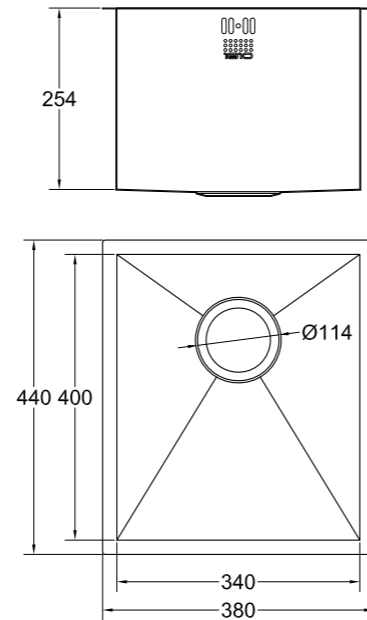
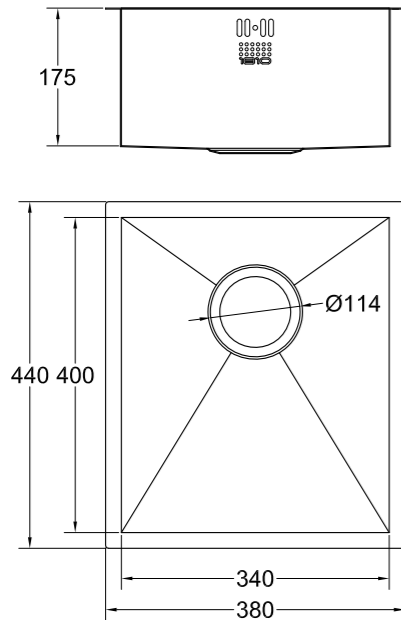


ZENUNO 340U
1810 Code ZU/34/U/S/018

ZENUNO 340U - DEEP
1810 Code ZU/34/U/D/S/70

ZENUNO 400U
1810 Code ZU/40/U/S/019

ZENUNO 400U - DEEP
1810 Code ZU/40/U/D/S/71



ZENUNO 340U STAINLESS STEEL
Minimum Sink Cabinet Size: **400mm**
For accessories see page 151

- Undermounted handmade bowl. Can also be flushmounted or inset
- Satin finish
- 3 1/2" Basket strainer waste and overflow included
- Individually boxed
- Steel thickness 1.2 mm
- Maximiser plumbing kit included
- Installation: Inset, Undermount, Flush
- Insusound®



ZENUNO 340U DEEP STAINLESS STEEL
Minimum Sink Cabinet Size: **400mm**
For accessories see page 151

- Additional insulation on bottom of bowl to prevent heat transfer
- Alternative sink and drainer sizes and bowl depth are available through our Bespoke service
- 3 1/2" BSW and concealed overflow
- Installation: Inset, Undermount, Flush
- Insusound® included
- Maximiser plumbing kit included
- Individually boxed
- Steel thickness 1.2mm



ZENUNO 400U STAINLESS STEEL
Minimum Sink Cabinet Size: **450mm**
For accessories see page 151

- Undermounted handmade bowl includes clips for flush or inset installation
- Satin finish
- 3 1/2" Basket strainer waste and overflow included
- Individually boxed
- Steel thickness 1.2 mm
- Maximiser plumbing kit included
- Installation: Inset, Undermount, Flush
- Insusound®



ZENUNO 400U DEEP STAINLESS STEEL
Minimum Sink Cabinet Size: **450mm**
For accessories see page 151

- Undermounted handmade bowl includes clips for flush or inset installation
- Satin finish
- 3 1/2" Basket strainer waste and overflow included
- Individually boxed
- Steel thickness 1.2 mm
- Maximiser plumbing kit included
- Insusound®



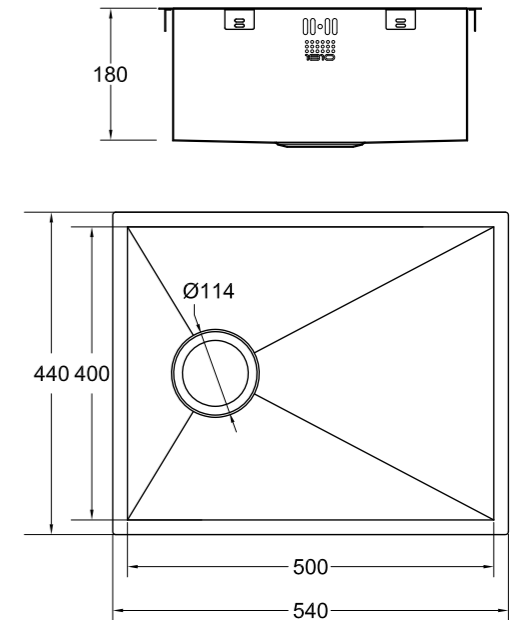
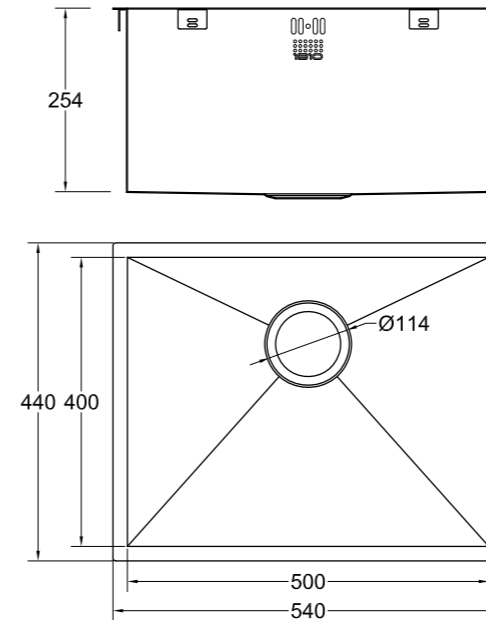
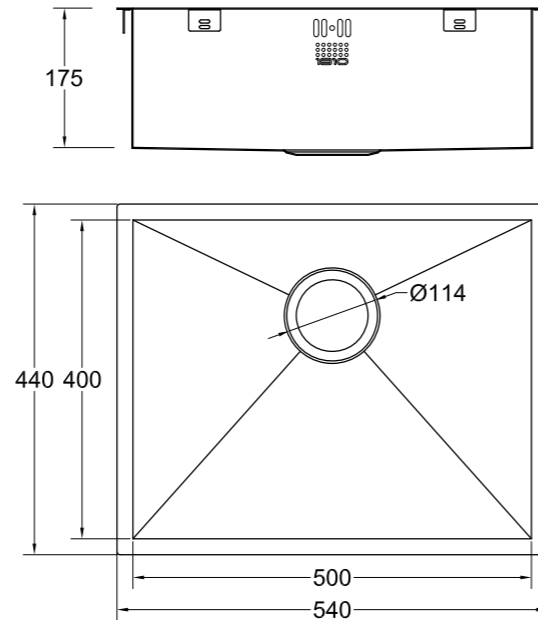
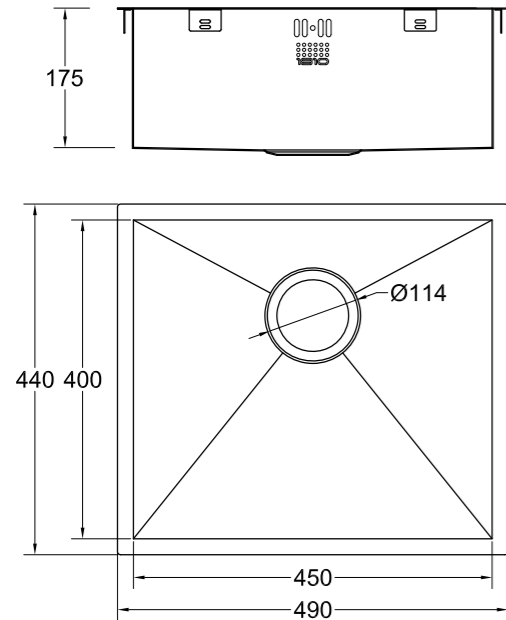


ZENUNO 450U
1810 Code ZU/45/U/S/020

ZENUNO 500U
1810 Code ZU/50/U/S/021

ZENUNO 500U DEEP
1810 Code ZU/50/U/D/S/074

ZENUNO 500U OSW
1810 Code ZU/50/U/S/OSW/061



ZENUNO 450U STAINLESS STEEL
Minimum Sink Cabinet Size: **500mm**
For accessories see page 151

- Undermounted handmade bowl includes clips for flush or inset installation
- Satin finish
- 3 1/2" Basket strainer waste and overflow included
- Individually boxed
- Steel thickness 1.2 mm
- Maximiser plumbing kit included
- Installation: Inset, Undermount, Flush
- Insusound® (X)



ZENUNO 500U STAINLESS STEEL
Minimum Sink Cabinet Size: **600mm**
For accessories see page 151

- Undermounted handmade bowl includes clips for flush or inset installation
- Satin finish
- 3 1/2" Basket strainer waste and overflow included
- Individually boxed
- Steel thickness 1.2 mm
- Maximiser plumbing kit included
- Installation: Inset, Undermount, Flush
- Insusound® (X)



ZENUNO 500U DEEP STAINLESS STEEL
Minimum Sink Cabinet Size: **600mm**
For accessories see page 151

- Undermounted handmade bowl includes clips for flush or inset installation
- Satin finish
- 3 1/2" Basket strainer waste and overflow included
- Individually boxed
- Steel thickness 1.2 mm
- Maximiser plumbing kit included
- Installation: Inset, Undermount, Flush
- Insusound® (X)



ZENUNO 500U OSW STAINLESS STEEL
Minimum Sink Cabinet Size: **600mm**
For accessories see page 151

- Undermounted handmade bowl includes clips for flush or inset installation
- Satin finish
- 3 1/2" Basket strainer waste and overflow included
- Individually boxed
- Steel thickness 1.2 mm
- Maximiser plumbing kit included
- Installation: Inset, Undermount, Flush
- Insusound® (X)



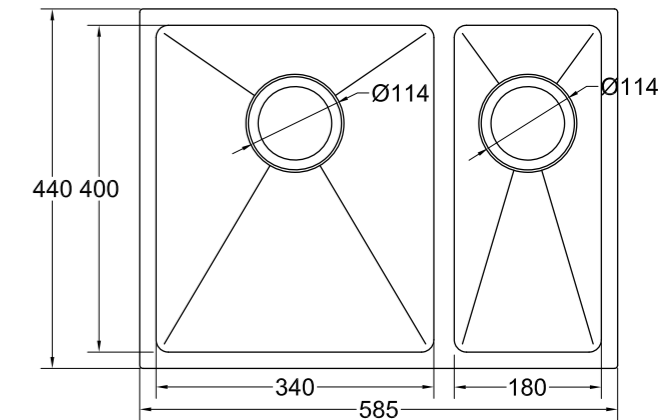
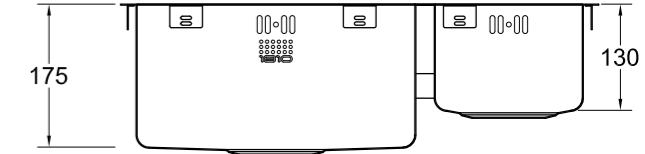
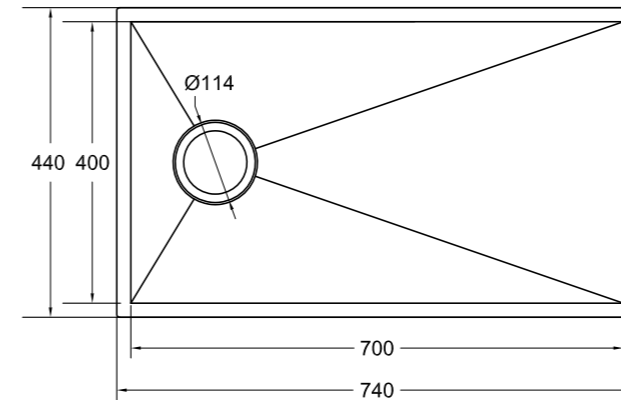
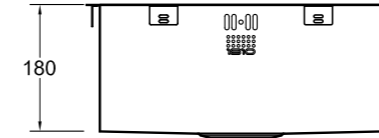
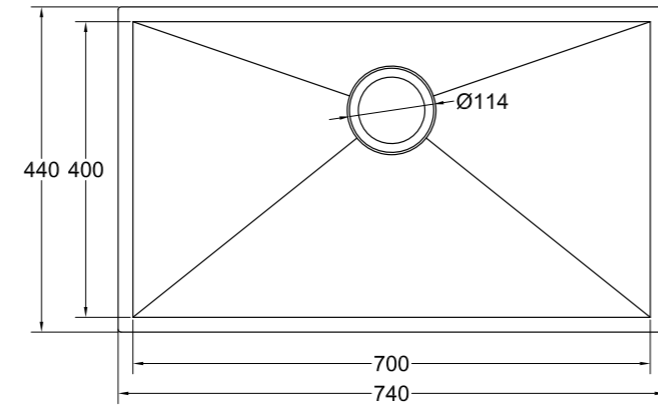
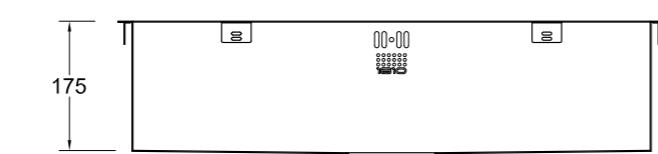
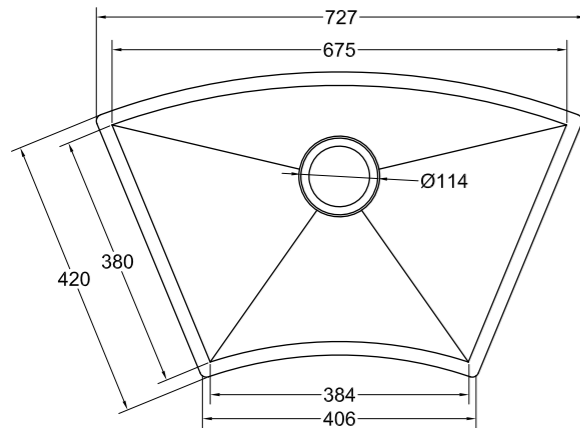


ZENUNO 675U CURVE
1810 Code ZU/675/U/S/200

ZENUNO 700U
1810 Code ZU/70/U/S/023

ZENUNO 700U OSW
1810 Code ZU/70/U/S/OSW/062

ZENDUO 340/180U BBL
1810 Code ZD/3418/U/S/BBL/022



ZENUNO 675U CURVE STAINLESS STEEL

Minimum Sink Cabinet Size: **800mm**
For accessories see page 151



- Undermounted handmade bowl includes clips for flush or inset installation
- Satin finish
- 3 1/2" Basket strainer waste and overflow included
- Individually boxed
- Steel thickness 1.2 mm
- Maximiser plumbing kit included
- Installation: Inset, Undermount, Flush
- Insusound® (X)

ZENUNO 700U STAINLESS STEEL

Minimum Sink Cabinet Size: **800mm**
For accessories see page 151



- Undermounted handmade bowl includes clips for flush or inset installation
- Satin finish
- 3 1/2" Basket strainer waste and overflow included
- Individually boxed
- Steel thickness 1.2 mm
- Maximiser plumbing kit included
- Installation: Inset, Undermount, Flush
- Insusound® (X)

ZENUNO 700U OSW STAINLESS STEEL

Minimum Sink Cabinet Size: **800mm**
For accessories see page 151



- Undermounted handmade bowl includes clips for flush or inset installation
- Satin finish
- 3 1/2" Basket strainer waste and overflow included
- Individually boxed
- Steel thickness 1.2 mm
- Maximiser plumbing kit included
- Installation: Inset, Undermount, Flush
- Insusound® (X)

ZENDUO 340/180U BBL

Minimum Sink Cabinet Size: **600mm**
For accessories see page 151



- Undermounted handmade bowl includes clips for flush or inset installation
- Satin finish
- 3 1/2" Basket strainer waste and overflow included
- Individually boxed
- Steel thickness 1.2 mm
- Maximiser plumbing kit included
- Installation: Inset, Undermount, Flush
- Insusound® (X)

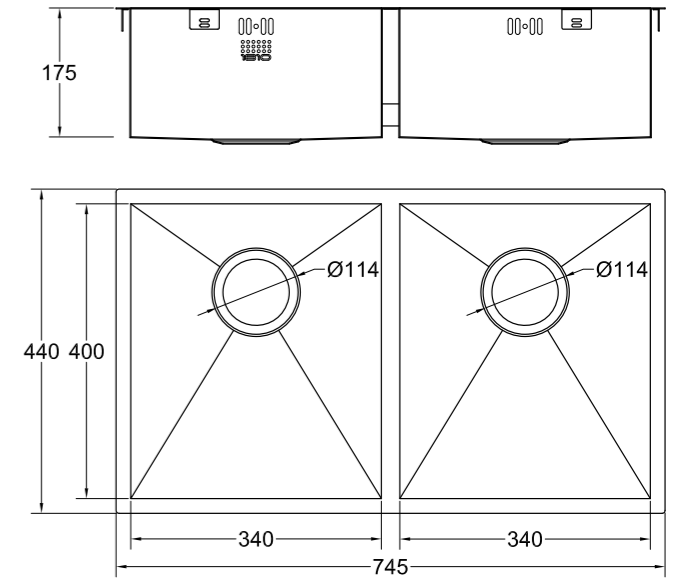
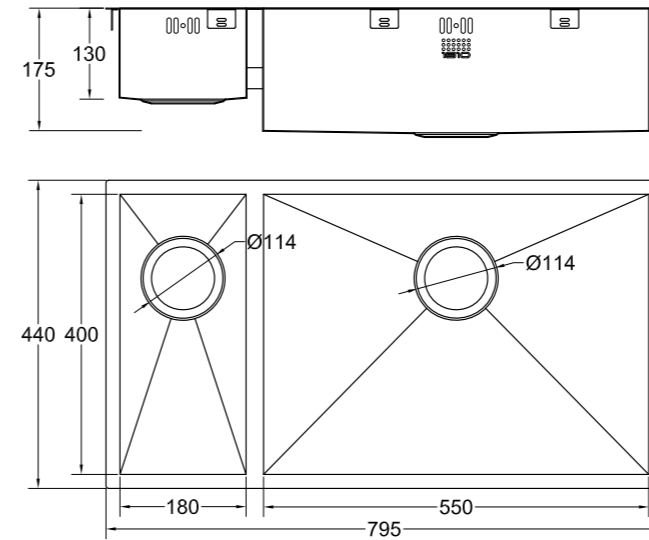
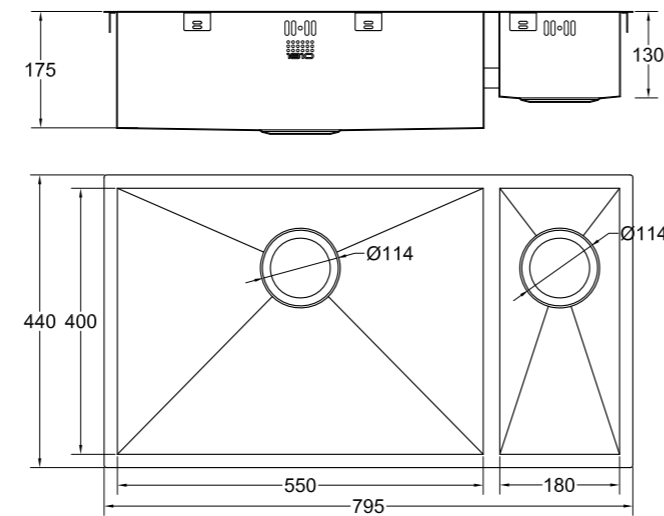
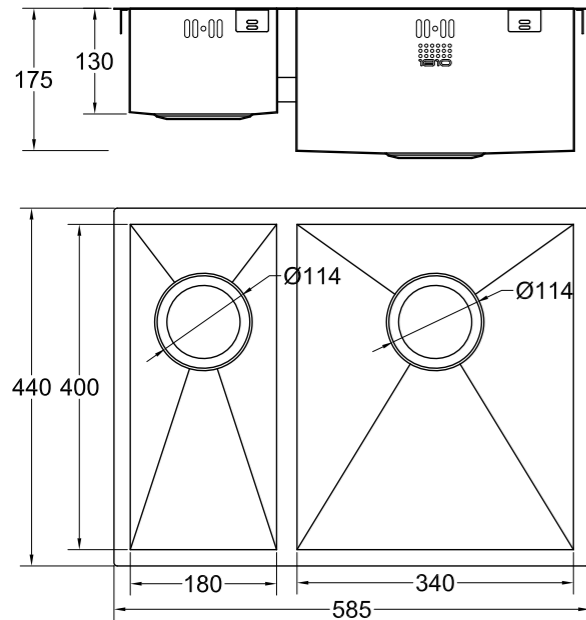


ZENDUO 180/340U BBR
1810 Code ZD/1834/U/S/BBR/024

ZENDUO 550/180U BBL
1810 Code ZD/5518/U/S/BBL/028

ZENDUO 180/550U BBR
1810 Code ZD/1855/U/S/BBR/029

ZENDUO 340/340U
1810 Code ZD/3434/U/S/075



ZENDUO 180/340U BBR
Minimum Sink Cabinet Size: **600mm**
For accessories see page 151

- Undermounted handmade bowl includes clips for flush or inset installation
- Satin finish
- 3 1/2" Basket strainer waste and overflow included
- Individually boxed
- Steel thickness 1.2 mm
- Maximiser plumbing kit included
- Installation: Inset, Undermount, Flush
- Insusound® (X)



ZENDUO 550/180U BBL
Minimum Sink Cabinet Size: **800mm**
For accessories see page 151

- Undermounted handmade bowl includes clips for flush or inset installation
- Satin finish
- 3 1/2" Basket strainer waste and overflow included
- Individually boxed
- Steel thickness 1.2 mm
- Maximiser plumbing kit included
- Installation: Inset, Undermount, Flush
- Insusound® (X)



ZENDUO 180/550U BBR
Minimum Sink Cabinet Size: **800mm**
For accessories see page 151

- Undermounted handmade bowl includes clips for flush or inset installation
- Satin finish
- 3 1/2" Basket strainer waste and overflow included
- Individually boxed
- Steel thickness 1.2 mm
- Maximiser plumbing kit included
- Installation: Inset, Undermount, Flush
- Insusound® (X)



ZENDUO 340/340U STAINLESS STEEL
Minimum Sink Cabinet Size: **800mm**
For accessories see page 151

- Undermounted handmade bowl includes clips for flush or inset installation
- Satin finish
- 3 1/2" Basket strainer waste and overflow included
- Individually boxed
- Steel thickness 1.2 mm
- Maximiser plumbing kit included
- Installation: Inset, Undermount, Flush
- Insusound® (X)



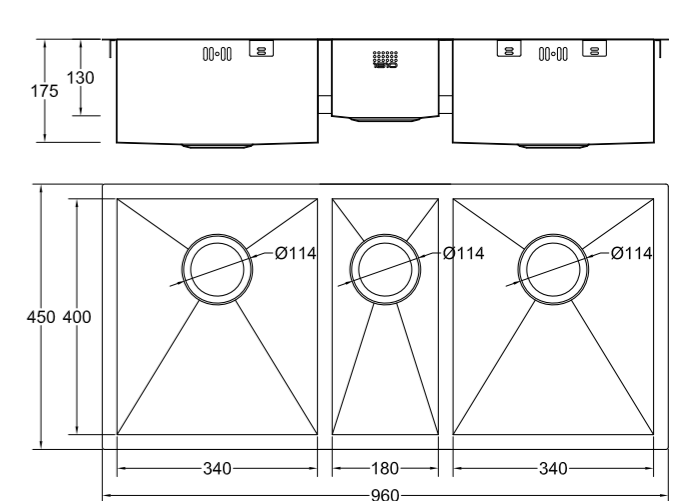
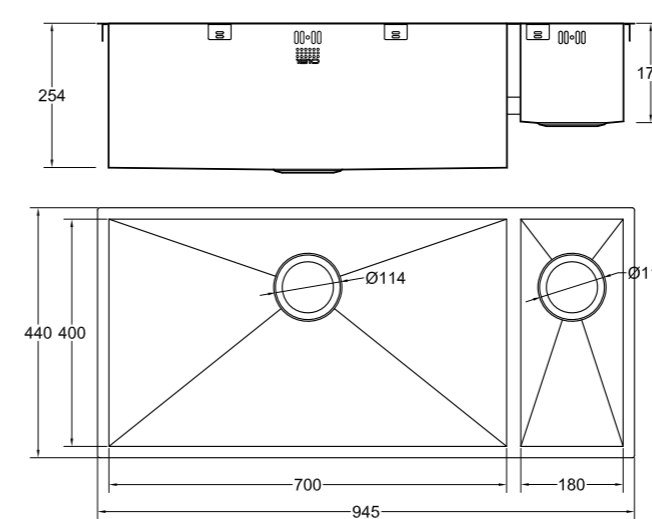
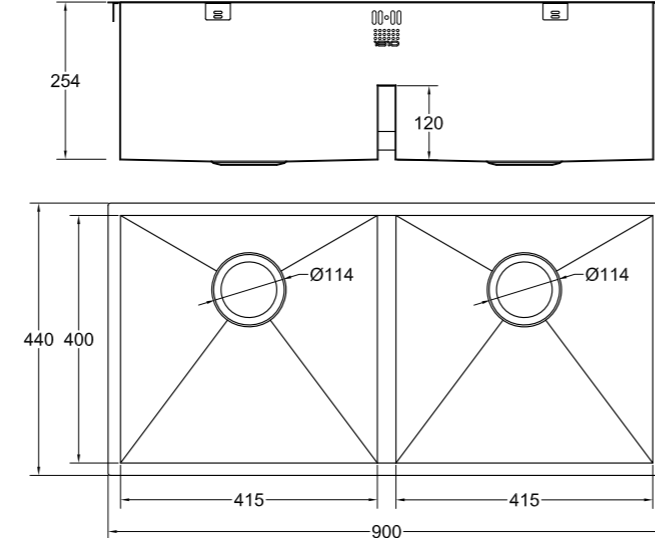
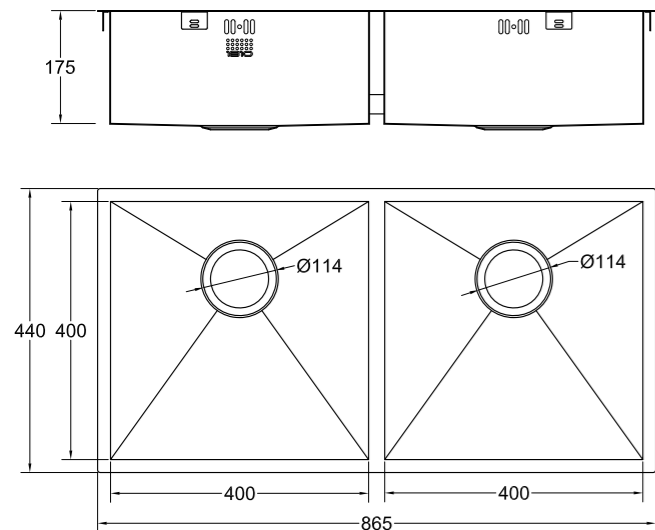


ZENDUO 400/400U
1810 Code ZD/4040/U/S/025

ZENDUO 415/415U GRANDE DEEP
1810 Code ZD/4141/U/D/S/073

ZENDUO 700/180U DEEP
1810 Code ZD/7018/U/D/S/072

ZENTRIO 340/180/340U
1810 Code ZT/341834/U/S/115



ZENDUO 400/400U STAINLESS STEEL
Minimum Sink Cabinet Size: **900mm**
For accessories see page 151

- Undermounted handmade bowl includes clips for flush or inset installation
- Satin finish
- 3 1/2" Basket strainer waste and overflow included
- Individually boxed
- Steel thickness 1.2 mm
- Maximiser plumbing kit included
- Installation: Inset, Undermount, Flush
- Insusound® (X)



ZENDUO 415/415U GRANDE DEEP STAINLESS STEEL
Minimum Sink Cabinet Size: **900mm**
For accessories see page 151

- Undermounted handmade bowl includes clips for flush or inset installation
- Satin finish
- 3 1/2" Basket strainer waste and overflow included
- Individually boxed
- Steel thickness 1.2 mm
- Maximiser plumbing kit included
- Installation: Inset, Undermount, Flush
- Insusound® (X)



ZENDUO 700/180U GRANDE DEEP STAINLESS STEEL
Minimum Sink Cabinet Size: **1000mm**
For accessories see page 151

- Undermounted handmade bowl includes clips for flush or inset installation
- Satin finish
- 3 1/2" Basket strainer waste and overflow included
- Individually boxed
- Steel thickness 1.2 mm
- Maximiser plumbing kit included
- Installation: Inset, Undermount, Flush
- Insusound® (X)



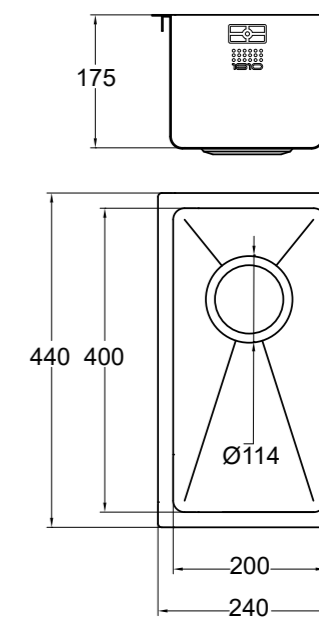
ZENTRIO 340/180/340U STAINLESS STEEL
Minimum Sink Cabinet Size: **1000mm**
For accessories see page 151

- Undermounted handmade bowl includes clips for flush or inset installation
- Satin finish
- 3 1/2" Basket strainer waste and overflow included
- Individually boxed
- Steel thickness 1.2 mm
- Maximiser plumbing kit included
- Installation: Inset, Undermount, Flush
- Insusound® (X)





ZENUNO15 200U
1810 Code ZU/20/U15S/086



ZENUNO15 200U STAINLESS STEEL
Minimum Sink Cabinet Size: **300mm**
For accessories see page 151

- Undermounted 15mm radius handmade bowl includes clips for flush or inset installation
- Satin finish
- 3 1/2" Basket strainer waste and overflow included
- Individually boxed
- Steel thickness 1.2 mm
- Maximiser plumbing kit included
- Installation: Inset, Undermount, Flush
- Insusound®



The Zen15 Range

The Zen15 range feature contemporary linear design with subtle 15mm internal radius.

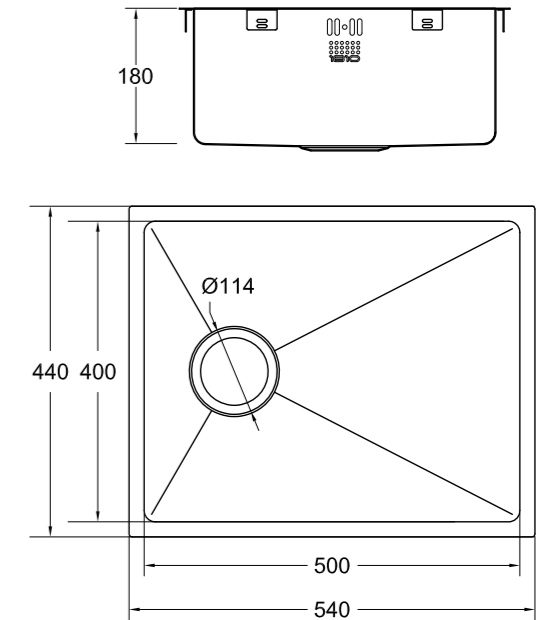
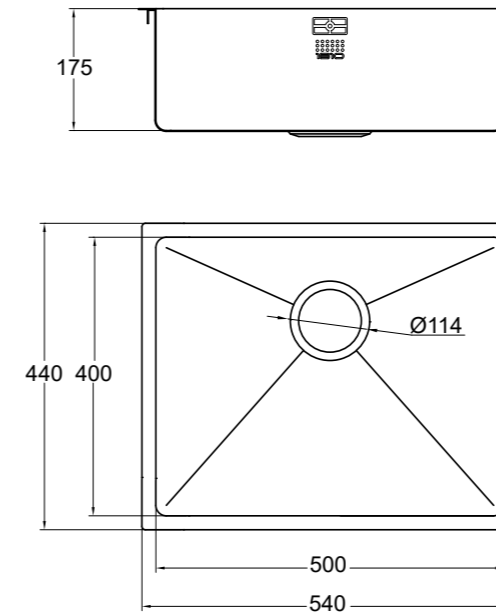
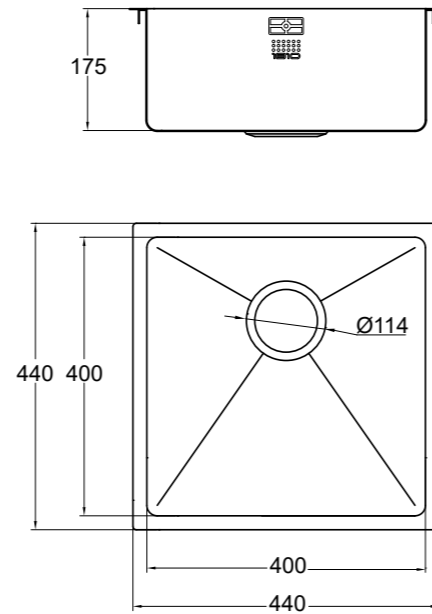
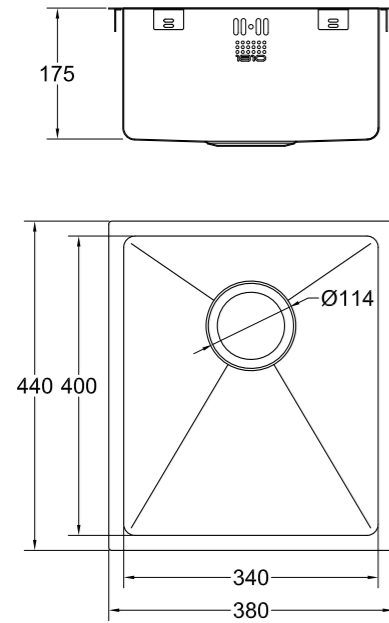


ZENUNO15 340U
1810 Code ZU/34/U15/S/087

ZENUNO15 400U
1810 Code ZU/40/U15/S/080

ZENUNO15 500U
1810 Code ZU/50/U15/S/088

ZENUNO15 500U OSW
1810 Code ZU/50/U15/S/OSW/66



ZENUNO15 340U STAINLESS STEEL
Minimum Sink Cabinet Size: **400mm**
For accessories see page 151

- Undermounted 15mm radius handmade bowl includes clips for flush or inset installation
- Satin finish
- 3 1/2" Basket strainer waste and overflow included
- Individually boxed
- Steel thickness 1.2 mm
- Maximiser plumbing kit included
- Insusound®



ZENUNO15 400U STAINLESS STEEL
Minimum Sink Cabinet Size: **450mm**
For accessories see page 151

- Undermounted 15mm radius handmade bowl
- Includes clips for flush or inset installation
- 3 1/2" Basket strainer waste and concealed overflow included
- Maximiser plumbing kit included
- Steel thickness 1.2mm
- Individually boxed
- Installation: Inset, Undermount, Flush
- Insusound®



ZENUNO15 500U STAINLESS STEEL
Minimum Sink Cabinet Size: **600mm**
For accessories see page 151

- Undermounted 15mm radius handmade bowl includes clips for flush or inset installation
- Satin finish
- 3 1/2" Basket strainer waste and overflow included
- Individually boxed
- Steel thickness 1.2 mm
- Maximiser plumbing kit included
- Installation: Inset, Undermount, Flush
- Insusound®



ZENUNO15 500U OSW STAINLESS STEEL
Minimum Sink Cabinet Size: **600mm**
For accessories see page 151

- Undermounted 15mm radius handmade bowl includes clips for flush or inset installation
- Satin finish
- 3 1/2" Basket strainer waste and overflow included
- Individually boxed
- Steel thickness 1.2 mm
- Maximiser plumbing kit included
- Installation: Inset, Undermount, Flush
- Insusound®



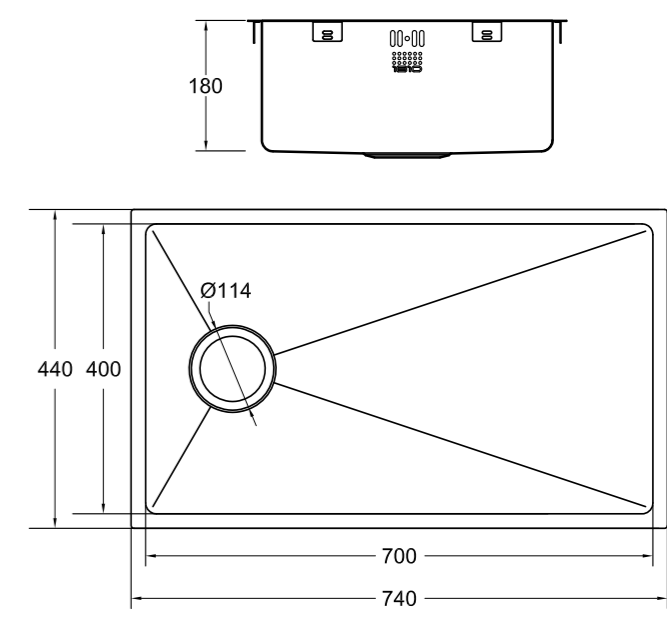
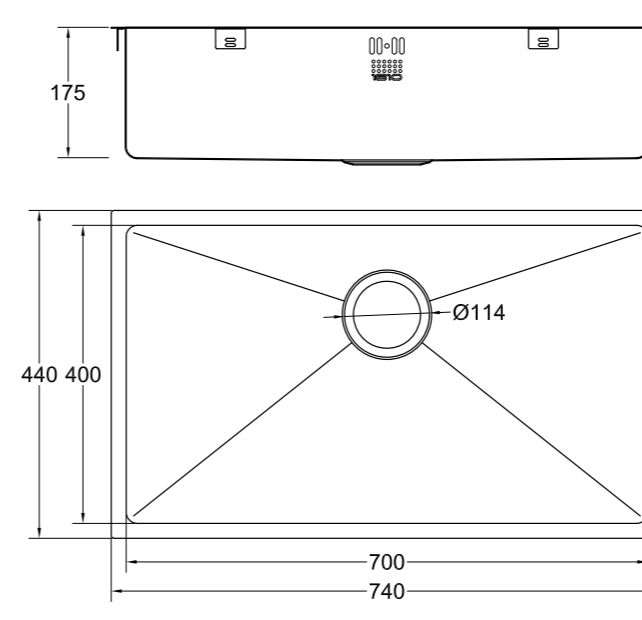
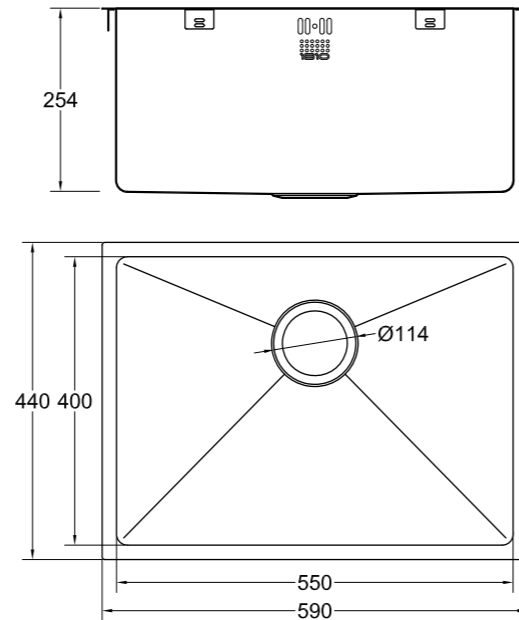
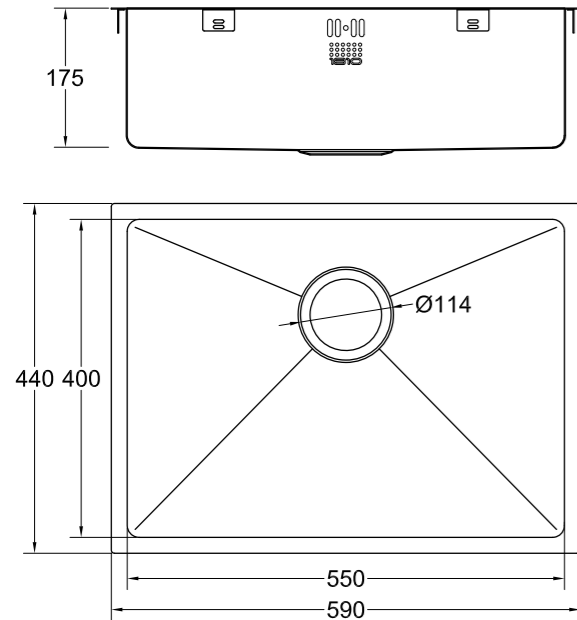


ZENUNO15 550U
1810 Code ZU/55/U15/S/081

ZENUNO15 550U DEEP
1810 Code ZU/55/U15/D/S/078

ZENUNO15 700U
1810 Code ZU/70/U15/S/083

ZENUNO15 700U OSW
1810 Code ZU/70/U15/S/OSW/67



ZENUNO15 550U STAINLESS STEEL
Minimum Sink Cabinet Size: **600mm**
For accessories see page 151

- Undermounted 15mm radius handmade bowl includes clips for flush or inset installation
- Satin finish
- 3 1/2" Basket strainer waste and overflow included
- Individually boxed
- Steel thickness 1.2 mm
- Maximiser plumbing kit included
- Installation: Inset, Undermount, Flush
- Insusound®



ZENUNO15 550U DEEP STAINLESS STEEL
Minimum Sink Cabinet Size: **600mm**
For accessories see page 151

- Undermounted 15mm radius handmade bowl includes clips for flush or inset installation
- Satin finish
- 3 1/2" Basket strainer waste and overflow included
- Individually boxed
- Steel thickness 1.2 mm
- Maximiser plumbing kit included
- Installation: Inset, Undermount, Flush
- Insusound®



ZENUNO15 700U STAINLESS STEEL
Minimum Sink Cabinet Size: **800mm**
For accessories see page 151

- Undermounted 15mm radius handmade bowl
- Includes clips for flush or inset installation
- 3 1/2" Basket strainer waste and concealed overflow included
- Maximiser plumbing kit included
- Steel thickness 1.2mm
- Individually boxed
- Installation: Undermount
- Insusound®



ZENUNO15 700U OSW STAINLESS STEEL
Minimum Sink Cabinet Size: **800mm**
For accessories see page 151

- Undermounted 15mm radius handmade bowl
- Includes clips for flush or inset installation
- 3 1/2" Basket strainer waste and concealed overflow included
- Maximiser plumbing kit included
- Steel thickness 1.2mm
- Individually boxed
- Installation: Undermount
- Insusound®



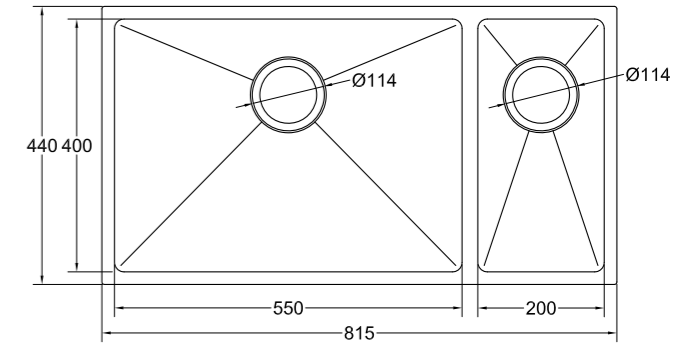
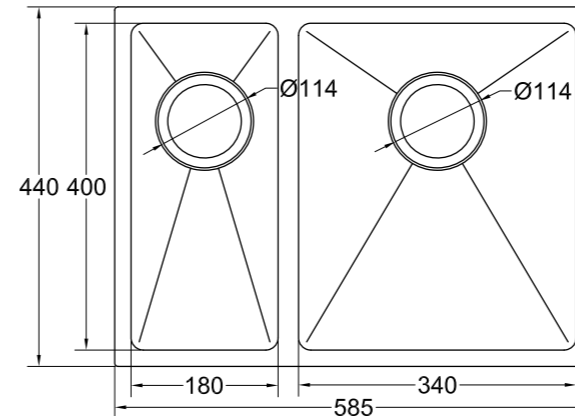
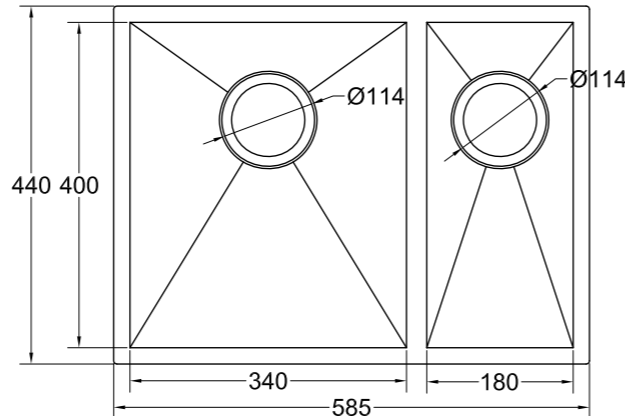
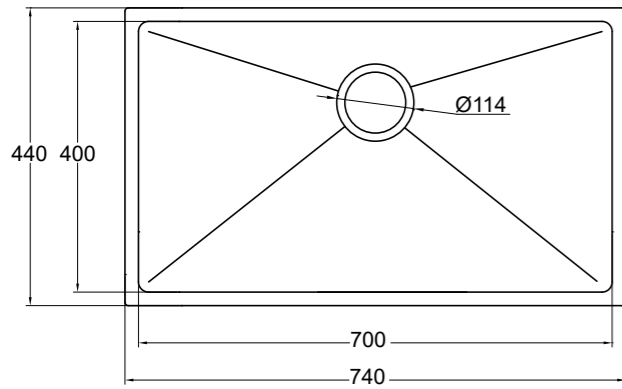
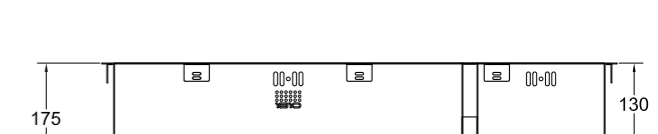
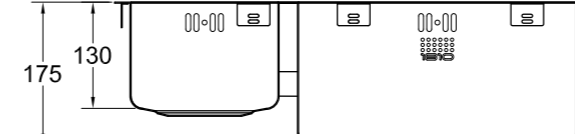


ZENUNO15 700U DEEP
1810 Code ZU/70/U15/D/S/077

ZENDUO15 340/180U BBL
1810 Code ZD/3418/U15/S/BBL/085

ZENDUO15 180/340U BBR
1810 Code ZD/1834/U15/S/BBR/082

ZENDUO15 550/200 BBL
1810 Code ZD/5520/U15/S/BBL/150



ZENUNO15 700U DEEP STAINLESS STEEL
Minimum Sink Cabinet Size: **800mm**
For accessories see page 151



- Undermounted 15mm radius handmade bowl includes clips for flush or inset installation
- Satin finish
- 3 1/2" basket strainer waste and overflow included
- Individually boxed
- Steel thickness 1.2 mm
- Maximiser plumbing kit included
- Installation: Inset, Undermount, Flush
- Insusound® (X)

ZENDUO15 340/180U BBL
Minimum Sink Cabinet Size: **600mm**
For accessories see page 151



- Undermounted 15mm radius handmade bowl includes clips for flush or inset installation
- Satin finish
- 3 1/2" basket strainer waste and overflow included
- Individually boxed
- Steel thickness 1.2 mm
- Maximiser plumbing kit included
- Installation: Inset, Undermount, Flush
- Insusound® (X)

ZENDUO15 180/340U BBR
Minimum Sink Cabinet Size: **600mm**
For accessories see page 151



- Undermounted 15mm radius handmade bowl includes clips for flush or inset installation
- Satin finish
- 3 1/2" Basket strainer waste and overflow included
- Individually boxed
- Steel thickness 1.2 mm
- Maximiser plumbing kit included
- Installation: Inset, Undermount, Flush
- Insusound® (X)

ZENDUO15 550/200 BBL
Minimum Sink Cabinet Size: **900mm**
For accessories see page 151

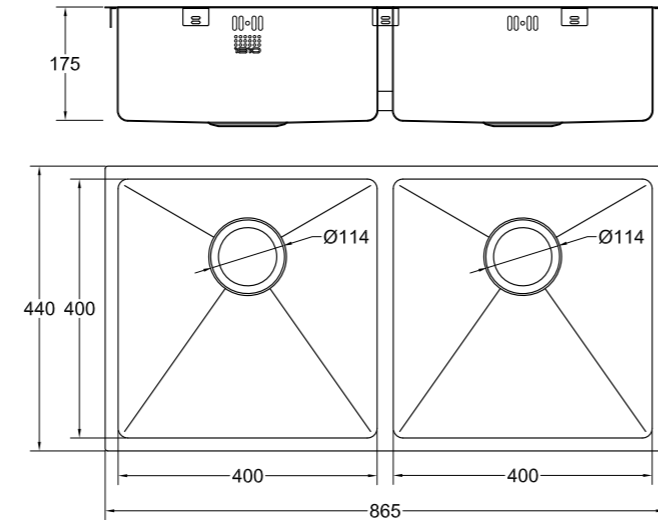
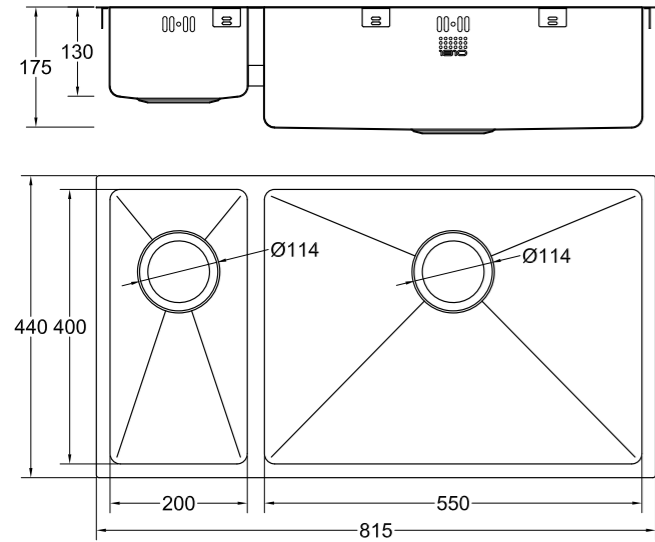


- Undermounted 15mm radius handmade bowl includes clips for flush or inset installation
- Satin finish
- 3 1/2" Basket strainer waste and overflow included
- Individually boxed
- Steel thickness 1.2 mm
- Maximiser plumbing kit included Insusound® (X)



ZENDUO15 200/550 BBR
1810 Code ZD/2055/U15/S/BBR/151

ZENDUO15 400/400U
1810 Code ZD/4040/U15/S/084



ZENDUO15 200/550 BBR
Minimum Sink Cabinet Size: **900mm**
For accessories see page 151

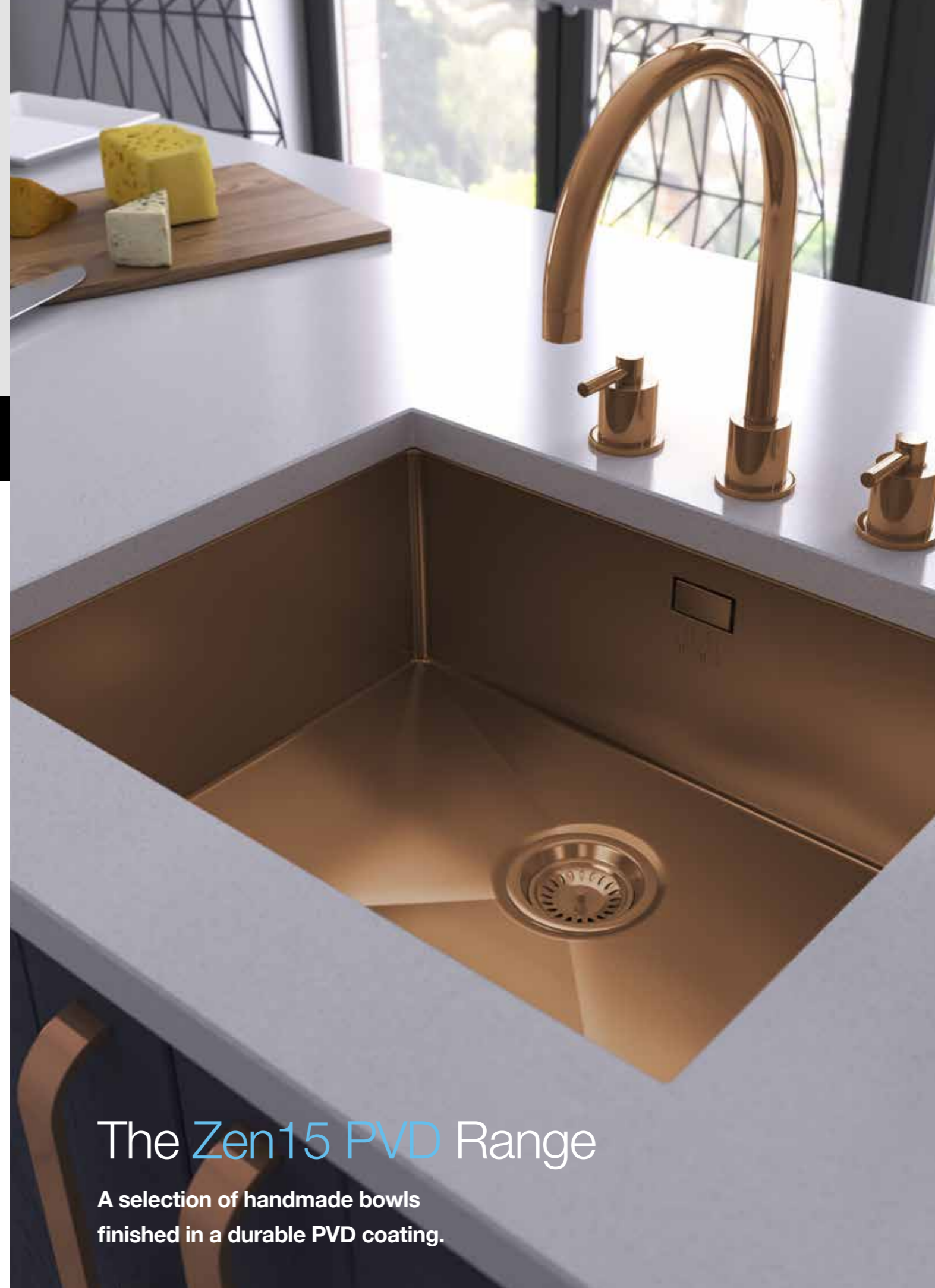


- Undermounted 15mm radius handmade bowl includes clips for flush or inset installation
- Satin finish
- 3 1/2" Basket strainer waste and overflow included
- Individually boxed
- Steel thickness 1.2 mm
- Maximiser plumbing kit included
- Installation: Inset, Undermount, Flush
- Insusound® (with crossed-out symbol)

ZENDUO15 400/400U STAINLESS STEEL
Minimum Sink Cabinet Size: **900mm**
For accessories see page 151



- Undermounted 15mm radius handmade bowl includes clips for flush or inset installation
- Satin finish
- 3 1/2" Basket strainer waste and overflow included
- Individually boxed
- Steel thickness 1.2 mm
- Maximiser plumbing kit included
- Installation: Inset, Undermount, Flush
- Insusound® (with crossed-out symbol)



The Zen15 PVD Range

A selection of handmade bowls finished in a durable PVD coating.



ZENUNO15 200U COPPER

1810 Code ZU/20/U15/COP/612

ZENUNO15 400U GOLD BRASS

1810 Code ZU/40/U15/GB/606

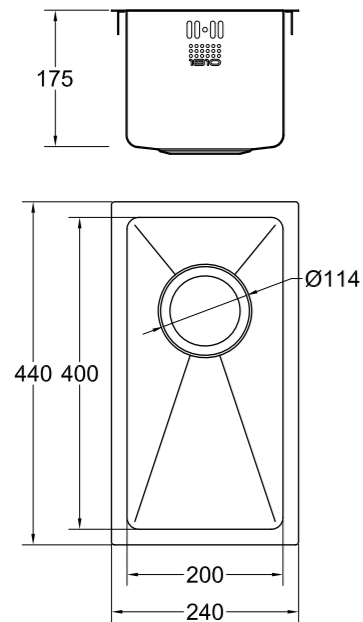
ZENUNO15 500U GUNMETAL

1810 Code ZU/50/U15/GM/603

ZENUNO15 700U MATTE BLACK

1810 Code ZU/70/U15/MB/611

NEW



ZENUNO15 200U COPPER

Minimum Sink Cabinet Size: **300mm**

For accessories see page 151

Also available in:



Gold Brass
ZU/20/U15/GB/613

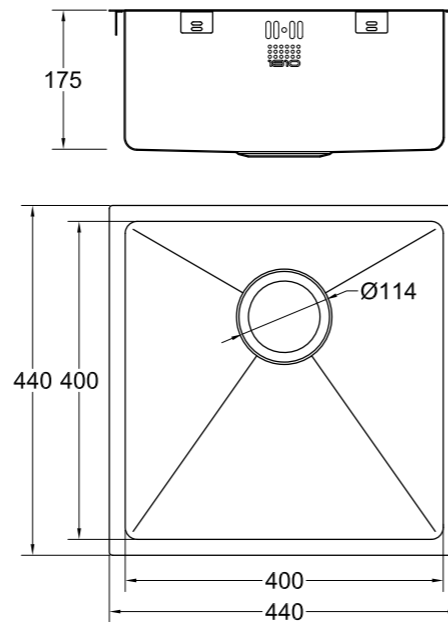


Gunmetal
ZU/20/U15/GM/614



Matte Black **NEW**
ZU/20/U15/MB/615

- Undermounted 15mm radius handmade bowl includes clips for flush or inset installation
- Satin finish
- 3 1/2" Basket strainer waste and overflow included
- Individually boxed
- Steel thickness 1.2 mm
- Maximiser plumbing kit included
- Installation: Inset, Undermount, Flush
- Insusound® (X)



ZENUNO15 400U GOLD BRASS

Minimum Sink Cabinet Size: **450mm**

For accessories see page 151

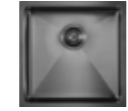
Also available in:



Copper
ZU/40/U15/COP/606

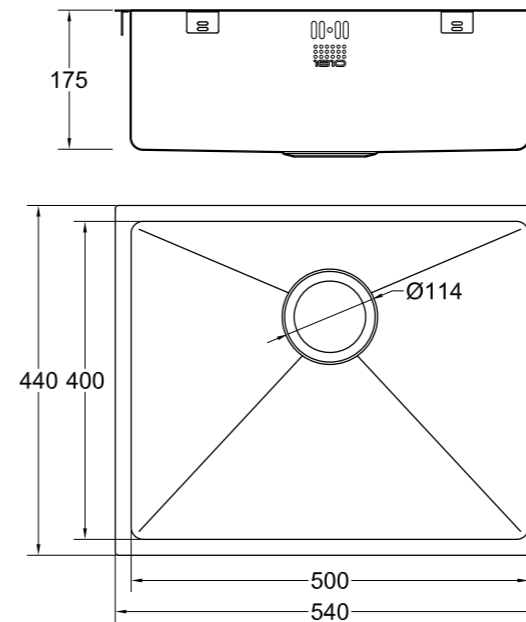


Matte Black **NEW**
ZU/40/U15/MB/609



Gunmetal
ZU/40/U15/GM/607

- Undermounted 15mm radius handmade bowl
- Includes clips for flush or inset installation
- 3 1/2" Basket strainer waste and concealed overflow included
- Maximiser plumbing kit included
- Steel thickness 1.2mm
- Individually boxed
- Installation: Undermount
- Insusound® (X)



ZENUNO15 500U GUNMETAL

Minimum Sink Cabinet Size: **600mm**

For accessories see page 151

Also available in:



Matte Black **NEW**
ZU/50/U15/MB/610

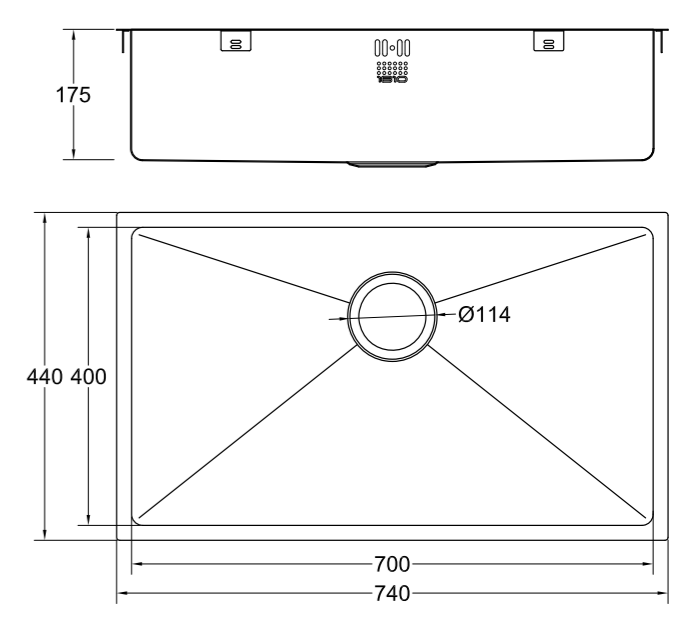


Gold Brass
ZU/50/U15/GB/607



Copper
ZU/50/U15/COP/608

- Undermounted 15mm radius handmade bowl
- Includes clips for flush or inset installation
- 3 1/2" Basket strainer waste and concealed overflow included
- Maximiser plumbing kit included
- Steel thickness 1.2mm
- Individually boxed
- Installation: Undermount
- Insusound® (X)



ZENUNO15 700U MATTE BLACK

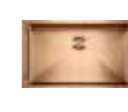
Minimum Sink Cabinet Size: **800mm**

For accessories see page 151

Also available in:



Gunmetal
ZU/70/U15/GM/605



Copper
ZU/70/U15/COP/604



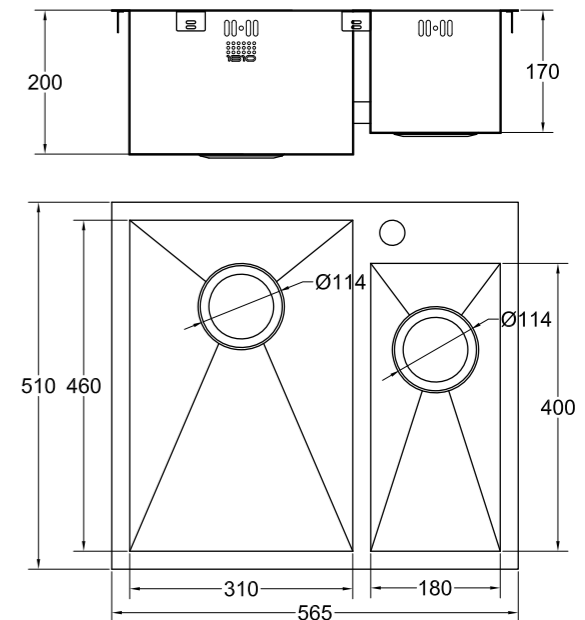
Gold Brass
ZU/70/U15/GB/608

- Undermounted 15mm radius handmade bowl
- Includes clips for flush or inset installation
- 3 1/2" Basket strainer waste and concealed overflow included
- Maximiser plumbing kit included
- Steel thickness 1.2mm
- Individually boxed
- Installation: Undermount
- Insusound® (X)





ZENDUO 310/180 I-F BBL
 1810 Code ZD/3118/IF/S/BBL/006



ZENDUO 310/180 I-F BBL
 Minimum Sink Cabinet Size: 600mm
 For accessories see page 151



- Handmade inset bowl, can also be flushfit or undermounted
- Satin finish
- 3 1/2" Basket strainer waste and overflow included
- Individually boxed
- Steel thickness 1.2mm
- Maximiser plumbing kit included
- Installation: Inset, Undermount, Flush
- Insusound®

The Zen I-F Range

The I-F range are handmade insets with a slim 1.5mm profile for a flush look.

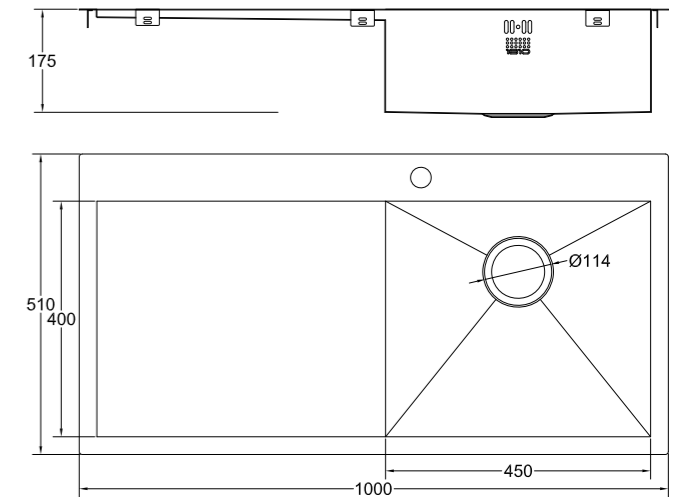
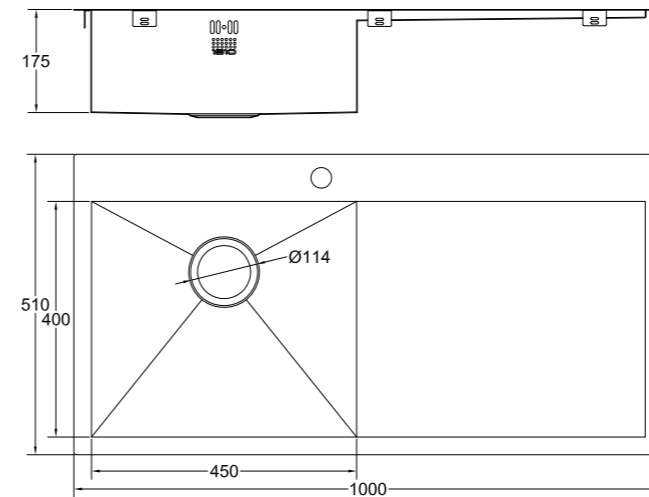
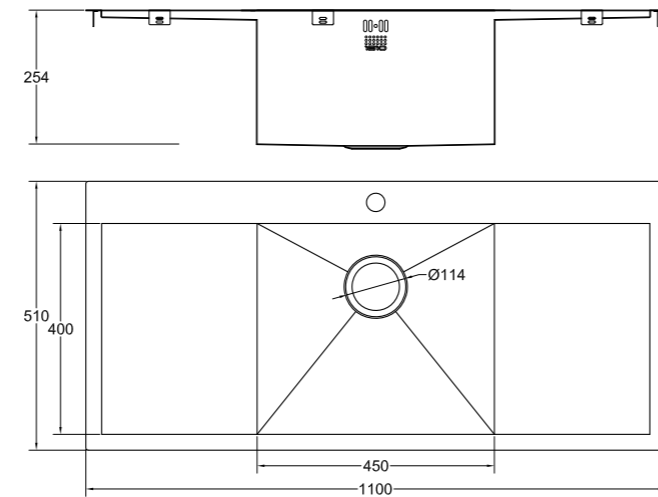
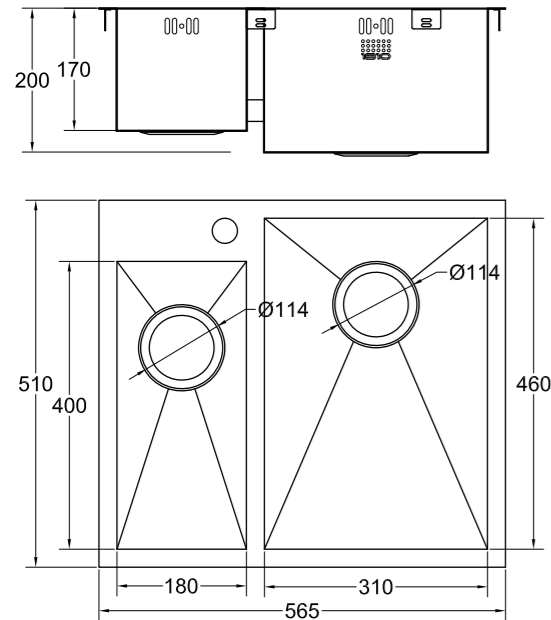


ZENDUO 180/310 I-F BBR
1810 Code ZD/1831/IF/S/BBR/005

ZENUNO 45 I-F - DEEP
1810 Code ZU/45/IF/D/S/045

ZENUNO 5 I-F BBL
1810 Code ZU/5/IF/S/BBL/039

ZENUNO 5 I-F BBR
1810 Code ZU/5/IF/S/BBR/026



ZENDUO 180/310 I-F BBR
Minimum Sink Cabinet Size: **600mm**
For accessories see page 151

- Handmade inset bowl, can also be flushfit or undermounted
- Satin finish
- 3 1/2" Basket strainer waste and overflow included
- Individually boxed
- Steel thickness 1.2mm
- Maximiser plumbing kit included
- Installation: Inset, Undermount, Flush
- Insusound®



ZENUNO 45 I-F DEEP STAINLESS STEEL
Minimum Sink Cabinet Size: **500mm**
For accessories see page 151

- Handmade inset bowl, can also be flushfit or undermounted
- Satin finish
- 3 1/2" Basket strainer waste and overflow included
- Individually boxed
- Steel thickness 1.5mm
- Maximiser plumbing kit included
- Installation: Inset, Undermount, Flush
- Insusound®



ZENUNO 5 I-F BBL
Minimum Sink Cabinet Size: **500mm**
For accessories see page 151

- Handmade inset bowl, can also be flushfit or undermounted
- Satin finish
- 3 1/2" Basket strainer waste and overflow included
- Individually boxed
- Steel thickness 1.5mm
- Maximiser plumbing kit included
- Installation: Inset, Undermount, Flush
- Insusound®



ZENUNO 5 I-F BBR
Minimum Sink Cabinet Size: **500mm**
For accessories see page 151

- Handmade inset bowl, can also be flushfit or undermounted
- Satin finish
- 3 1/2" Basket strainer waste and overflow included
- Individually boxed
- Steel thickness 1.5mm
- Maximiser plumbing kit included
- Installation: Inset, Undermount, Flush
- Insusound®



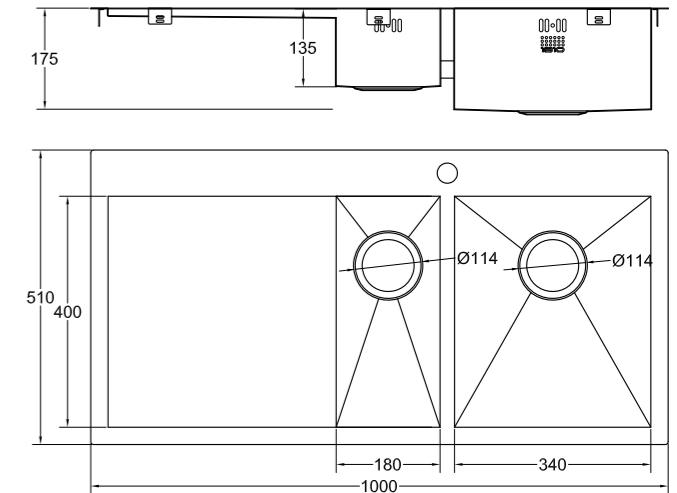
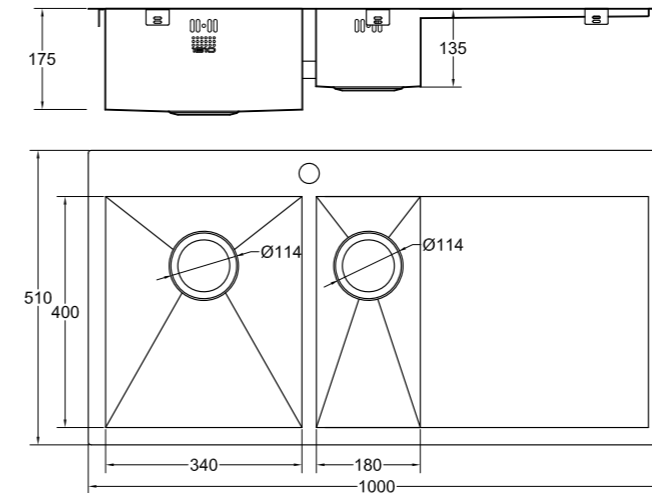
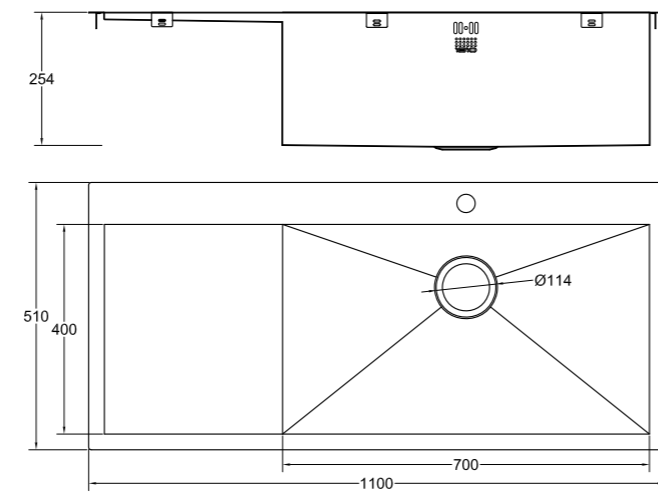
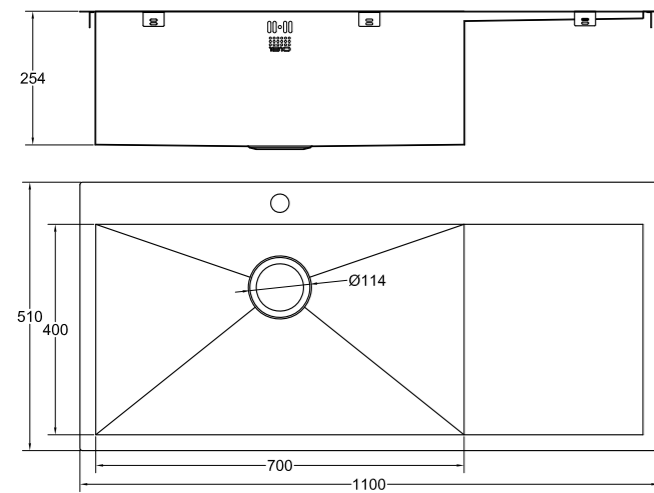


ZENUNO 70 I-F BBL - DEEP
1810 Code ZU/70/IF/D/S/BBL/040

ZENUNO 70 I-F BBR - DEEP
1810 Code ZU/70/IF/D/S/BBR/041

ZENDUO 6 I-F - BBL
1810 Code ZD/6/IF/S/BBL/038

ZENDUO 6 I-F - BBR
1810 Code ZD/6/IF/S/BBR/027



ZENUNO 70 I-F DEEP BBL
Minimum Sink Cabinet Size: **800mm**
For accessories see page 151

- Handmade inset bowl, can also be flushfit or undermounted
- Satin finish
- 3 1/2" Basket strainer waste and overflow included
- Individually boxed
- Steel thickness 1.5mm
- Maximiser plumbing kit included
- Installation: Inset, Undermount, Flush
- Insusound®



ZENUNO 70 I-F DEEP BBR
Minimum Sink Cabinet Size: **800mm**
For accessories see page 151

- Handmade inset bowl, can also be flushfit or undermounted
- Satin finish
- 3 1/2" Basket strainer waste and overflow included
- Individually boxed
- Steel thickness 1.5mm
- Maximiser plumbing kit included
- Installation: Inset, Undermount, Flush
- Insusound®



ZENDUO 6 I-F BBL
Minimum Sink Cabinet Size: **600mm**
For accessories see page 151

- Handmade inset bowl, can also be flushfit or undermounted
- Satin finish
- 3 1/2" Basket strainer waste and overflow included
- Individually boxed
- Steel thickness 1.5mm
- Maximiser plumbing kit included
- Installation: Inset, Undermount, Flush
- Insusound®



ZENDUO 6 I-F BBR
Minimum Sink Cabinet Size: **600mm**
For accessories see page 151

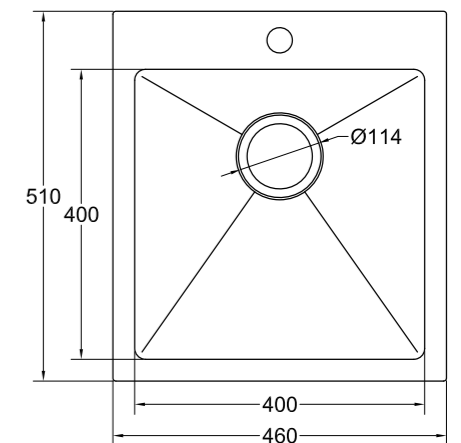
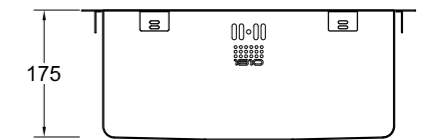
- Handmade inset bowl, can also be flushfit or undermounted
- Satin finish
- 3 1/2" Basket strainer waste and overflow included
- Individually boxed
- Steel thickness 1.5mm
- Maximiser plumbing kit included
- Installation: Inset, Undermount, Flush
- Insusound®





ZENUNO15 400 I-F

1810 Code ZU/40/IF/U15/S/089



ZENUNO15 400 I-F STAINLESS STEEL

Minimum Sink Cabinet Size: 450mm

For accessories see page 151

■ Handmade 15mm radius Inset bowl, can also be flushfit or undermounted

■ Satin finish

■ 3 1/2" Basket strainer waste and overflow included

■ Individually boxed

■ Steel thickness 1.2mm

■ Maximiser plumbing kit included

■ Insusound 



The Zen15 I-F Range

The Zen15 I-F range are handmade insets with a 15mm internal radius.

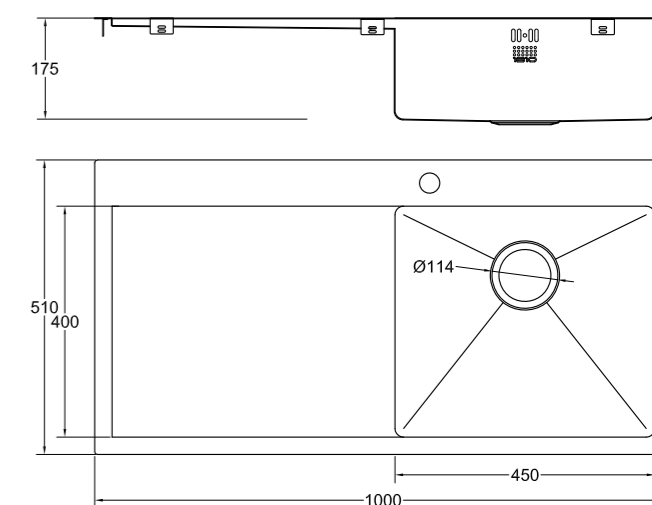
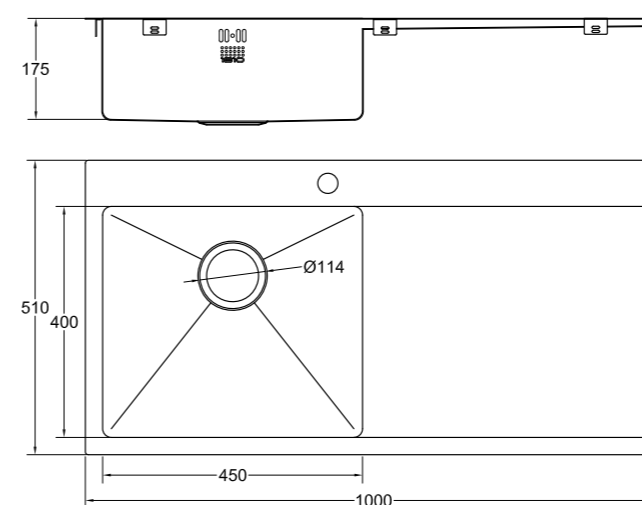
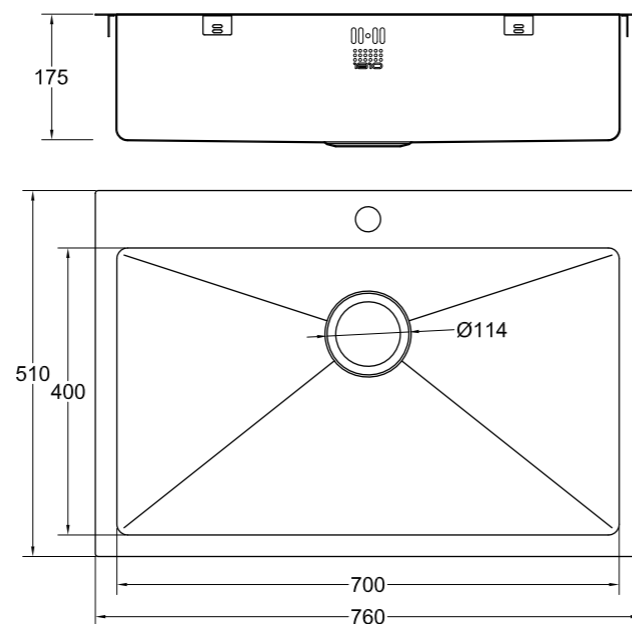
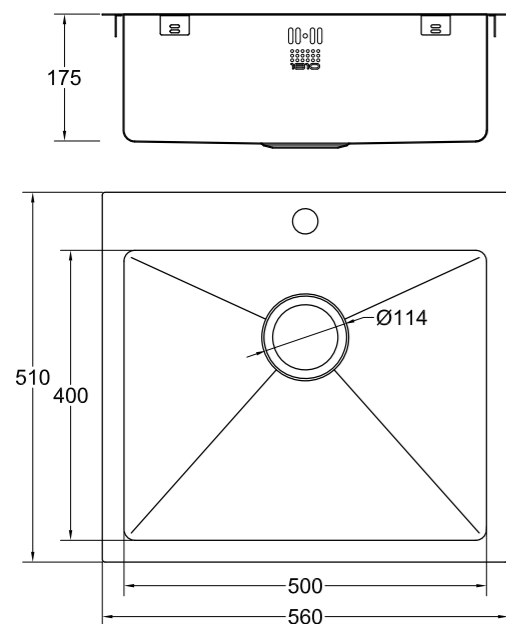


ZENUNO15 500 I-F
1810 Code ZU/50/IF/U15/S/090

ZENUNO15 700 I-F
1810 Code ZU/70/IF/U15/S/099

ZENUNO15 5 I-F BBL
1810 Code ZU/5/IF/U15/S/BBL/153

ZENUNO15 5 I-F BBR
1810 Code ZU/5/IF/U15/S/BBR/152



ZENUNO15 500 I-F STAINLESS STEEL
Minimum Sink Cabinet Size: **600mm**
For accessories see page 151

- Handmade 15mm radius Inset bowl, can also be flushfit or undermounted
- Satin finish
- 3 1/2" Basket strainer waste and overflow included
- Individually boxed
- Steel thickness 1.2mm
- Maximiser plumbing kit included
- Installation: Inset, Undermount, Flush
- Insusound®



ZENUNO15 700 I-F STAINLESS STEEL
Minimum Sink Cabinet Size: **800mm**
For accessories see page 151

- Handmade 15mm radius Inset bowl, can also be flushfit or undermounted
- Satin finish
- 3 1/2" Basket strainer waste and overflow included
- Individually boxed
- Steel thickness 1.2mm
- Maximiser plumbing kit included
- Installation: Inset, Undermount, Flush
- Insusound®



ZENUNO15 5 I-F BBL
Minimum Sink Cabinet Size: **500mm**
For accessories see page 151

- Handmade 15mm radius Inset bowl, can also be flushfit or undermounted
- Satin finish
- 3 1/2" Basket strainer waste and overflow included
- Individually boxed
- Steel thickness 1.5mm
- Maximiser plumbing kit included
- Installation: Inset, Undermount, Flush
- Insusound®



ZENUNO15 5 I-F BBR
Minimum Sink Cabinet Size: **500mm**
For accessories see page 151

- Handmade 15mm radius Inset bowl, can also be flushfit or undermounted
- Satin finish
- 3 1/2" Basket strainer waste and overflow included
- Individually boxed
- Steel thickness 1.5mm
- Maximiser plumbing kit included
- Installation: Inset, Undermount, Flush
- Insusound®





ZENUNO15 55 I-F BBL

1810 Code ZU/55/IF/U15/S/BBL/156

ZENUNO15 55 I-F BBR

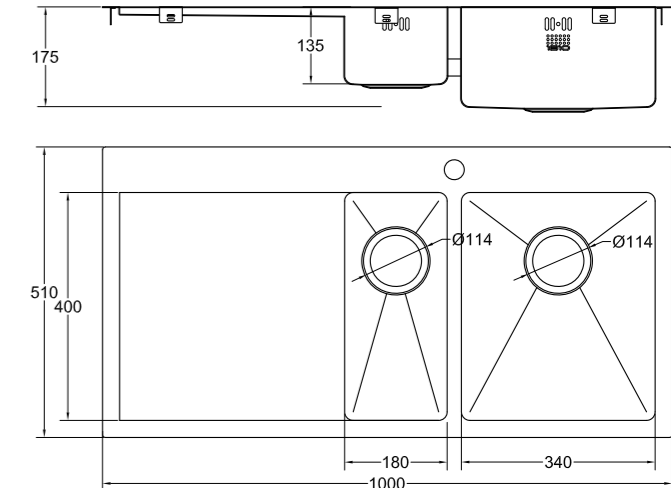
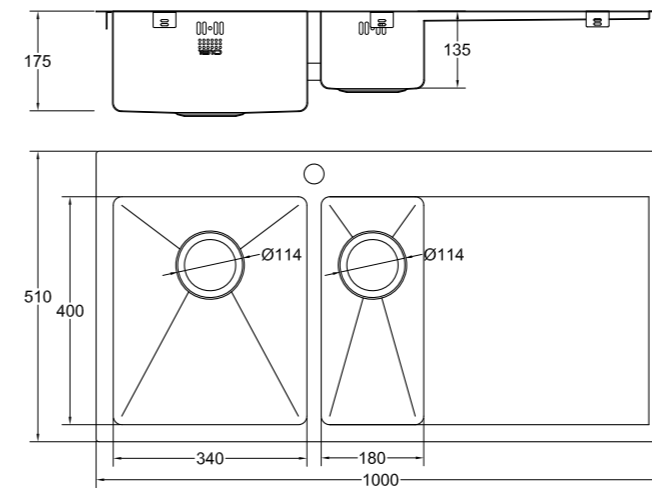
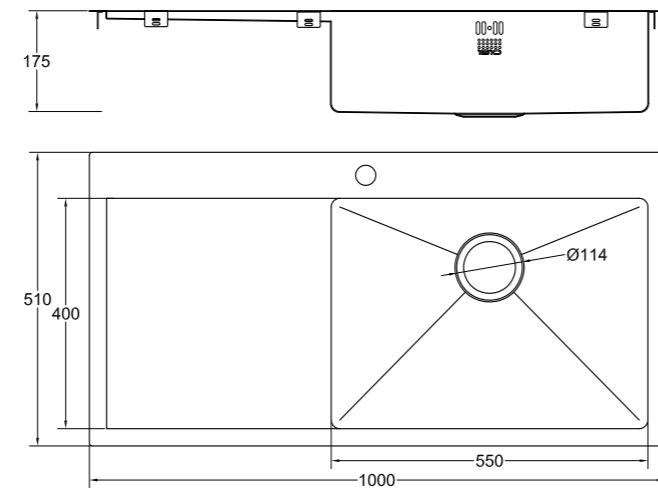
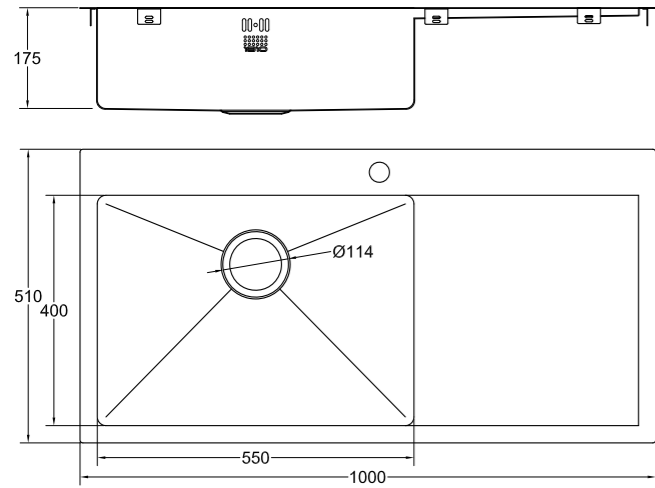
1810 Code ZU/55/IF/U15/S/BBR/157

ZENDUO15 6 I-F BBL

1810 Code ZD/6/IF/U15/S/BBL/155

ZENDUO15 6 I-F BBR

1810 Code ZD/6/IF/U15/S/BBR/154



ZENUNO15 55 I-F BBL

Minimum Sink Cabinet Size: **600mm**

For accessories see page 151

- Handmade 15mm radius Inset bowl, can also be flushfit or undermounted
- Satin finish
- 3 1/2" Basket strainer waste and overflow included
- Individually boxed
- Steel thickness 1.5mm
- Maximiser plumbing kit included
- Installation: Inset, Undermount, Flush
- Insusound®



ZENUNO15 55 I-F BBR

Minimum Sink Cabinet Size: **600mm**

For accessories see page 151

- Handmade 15mm radius Inset bowl, can also be flushfit or undermounted
- Satin finish
- 3 1/2" Basket strainer waste and overflow included
- Individually boxed
- Steel thickness 1.5mm
- Maximiser plumbing kit included
- Installation: Inset, Undermount, Flush
- Insusound®



ZENDUO15 6 I-F BBL

Minimum Sink Cabinet Size: **600mm**

For accessories see page 151

- Handmade 15mm radius Inset bowl, can also be flushfit or undermounted
- Satin finish
- 3 1/2" Basket strainer waste and overflow included
- Individually boxed
- Steel thickness 1.5mm
- Maximiser plumbing kit included
- Installation: Inset, Undermount, Flush
- Insusound®



ZENDUO15 6 I-F BBR

Minimum Sink Cabinet Size: **600mm**

For accessories see page 151

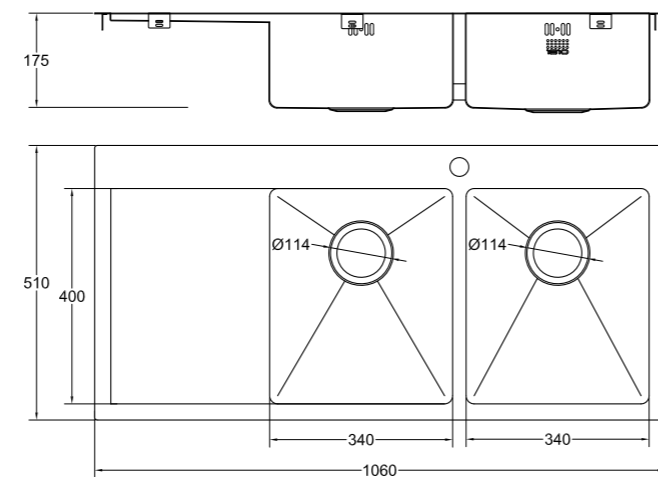
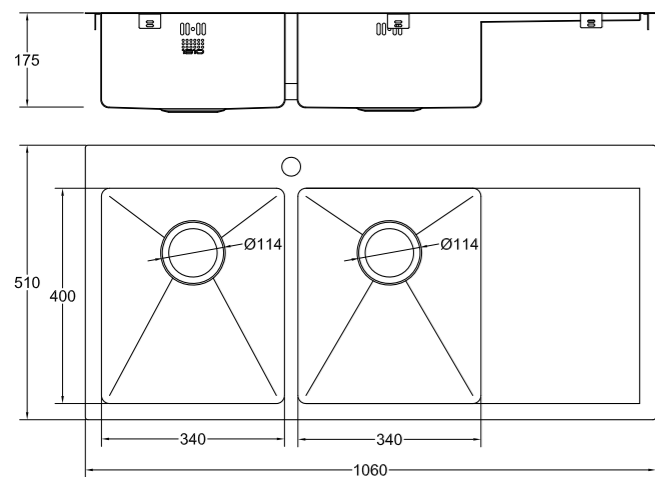
- Handmade 15mm radius Inset bowl, can also be flushfit or undermounted
- Satin finish
- 3 1/2" Basket strainer waste and overflow included
- Individually boxed
- Steel thickness 1.5mm
- Maximiser plumbing kit included
- Installation: Inset, Undermount, Flush
- Insusound®





ZENDUO15 34/34 I-F BBL
1810 Code ZD/3434/IF/U15/S/BBL/158

ZENDUO15 34/34 I-F BBR
1810 Code ZD/3434/IF/U15/S/BBR/159



ZENDUO15 34/34 I-F BBL
Minimum Sink Cabinet Size: **800mm**
For accessories see page 151

- Handmade 15mm radius Inset bowl, can also be flushfit or undermounted
- Satin finish
- 3 1/2" Basket strainer waste and overflow included
- Individually boxed
- Steel thickness 1.5mm
- Maximiser plumbing kit included
- Installation: Inset, Undermount, Flush
- Insusound®



ZENDUO15 34/34 I-F BBR
Minimum Sink Cabinet Size: **800mm**
For accessories see page 151

- Handmade 15mm radius Inset bowl, can also be flushfit or undermounted
- Satin finish
- 3 1/2" Basket strainer waste and overflow included
- Individually boxed
- Steel thickness 1.5mm
- Maximiser plumbing kit included
- Installation: Inset, Undermount, Flush
- Insusound®



The Zen 15 XXL Range

The Zen15 XXL range are extra large handmade sinks with a 15mm internal radius.



ZENUNO15 550U XXL DEEP

1810 Code ZU/55/U15/D/S/XXL/501

ZENUNO15 750U XXL DEEP

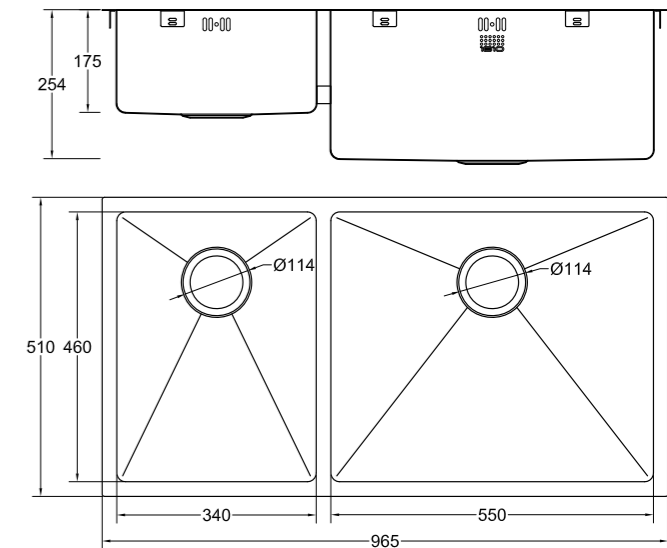
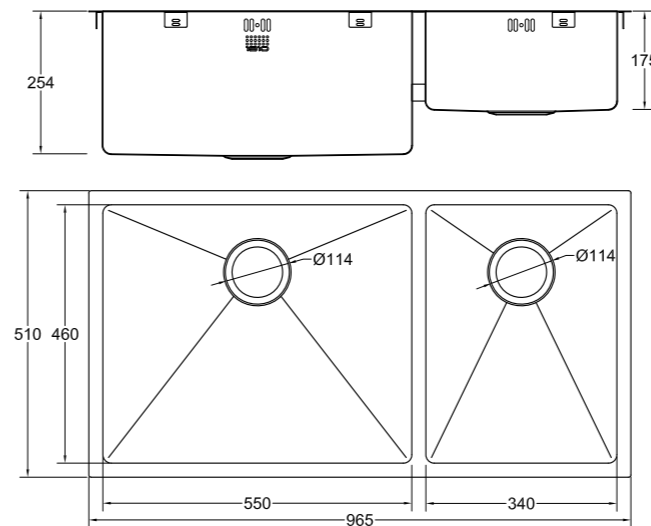
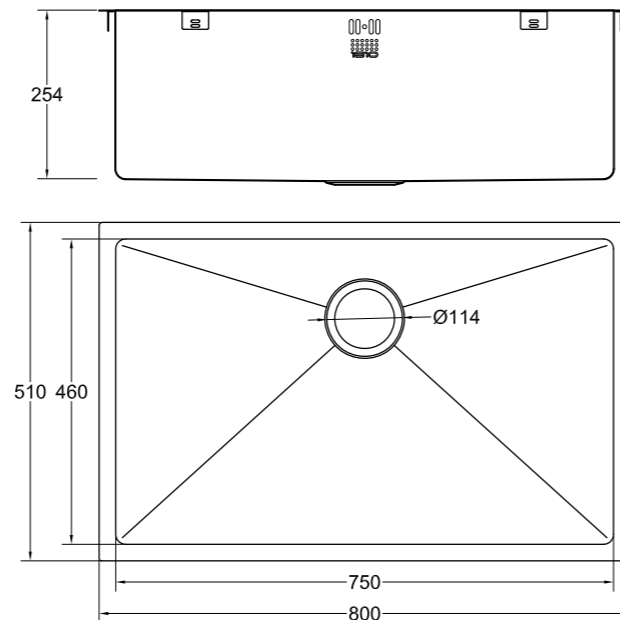
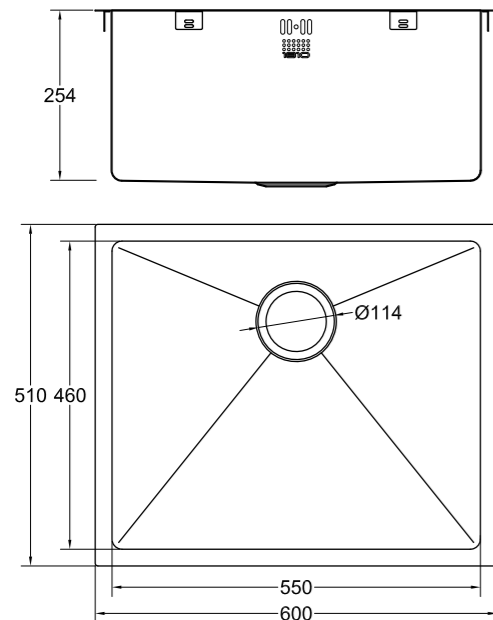
1810 Code ZU/75/U15/D/S/XXL/502

ZENDUO15 550/340U XXL DEEP BBL

1810 Code ZD/5534/U15/D/S/XXL/503

ZENDUO15 340/550U XXL DEEP BBR

1810 Code ZD/3455/U15/D/S/XXL/504



ZENUNO15 550U XXL DEEP STAINLESS STEEL

Minimum Sink Cabinet Size: **600mm**
For accessories see page 151



- Undermounted 15mm radius handmade bowl
- Includes clips for flush or inset installation
- Satin finish
- 3 1/2" basket strainer waste and overflow included
- Individually boxed
- Steel thickness 1.2mm
- Maximiser plumbing kit included
- Note: This range of sinks won't fit into a standard 600mm depth worktop
- Installation: Inset, Undermount, Flush
- Insusound®

ZENUNO15 750U XXL DEEP STAINLESS STEEL

Minimum Sink Cabinet Size: **900mm**
For accessories see page 151



- Undermounted 15mm radius handmade bowl
- Includes clips for flush or inset installation
- Satin finish
- 3 1/2" basket strainer waste and overflow included
- Individually boxed
- Steel thickness 1.2mm
- Maximiser plumbing kit included
- Note: This range of sinks won't fit into a standard 600mm depth worktop
- Installation: Inset, Undermount, Flush
- Insusound®

ZENDUO15 550/340U XXL DEEP BBL

Minimum Sink Cabinet Size: **1000mm**
For accessories see page 151



- Undermounted 15mm radius handmade bowl
- Includes clips for flush or inset installation
- Satin finish
- 3 1/2" basket strainer waste and overflow included
- Individually boxed
- Steel thickness 1.2mm
- Maximiser plumbing kit included
- Note: This range of sinks won't fit into a standard 600mm depth worktop
- Installation: Inset, Undermount, Flush
- Insusound®

ZENDUO15 340/550U XXL DEEP BBR

Minimum Sink Cabinet Size: **1000mm**
For accessories see page 151



- Undermounted 15mm radius handmade bowl
- Includes clips for flush or inset installation
- Satin finish
- 3 1/2" basket strainer waste and overflow included
- Individually boxed
- Steel thickness 1.2mm
- Maximiser plumbing kit included
- Note: This range of sinks won't fit into a standard 600mm depth worktop
- Installation: Inset, Undermount, Flush
- Insusound®

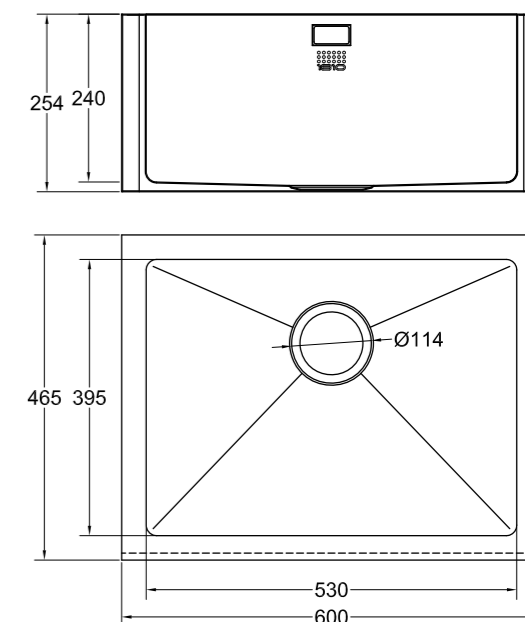


The Zen15 Belfast Range

A contemporary option to a traditional Belfast sink which looks perfect in both traditional and modern kitchen designs.



ZEN 15 BELFAST 600 STAINLESS STEEL
1810 Code ZU/600/15/BEL/S/860



ZEN 15 BELFAST 600 STAINLESS STEEL

For accessories see page 151

- Satin finish
- 3 1/2" basket strainer waste and overflow included
- Individually boxed
- Steel thickness 1.2mm
- Maximiser plumbing kit included



Other sizes can be made using our bespoke service.



The Zen Accessible Range

A sink and tap combination suitable for use in accessible kitchens.



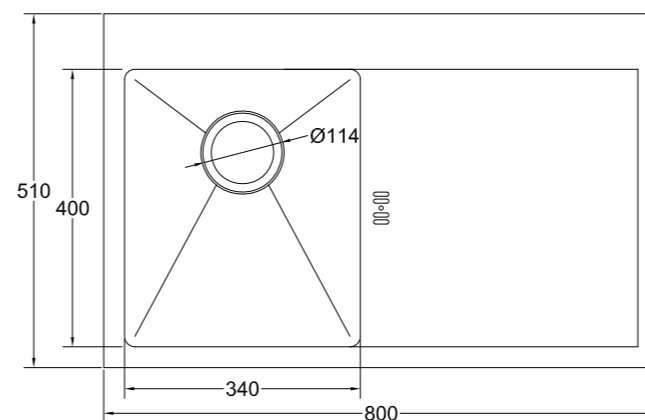
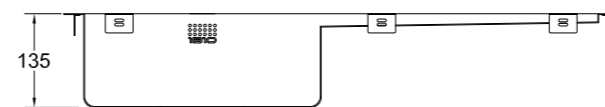
ZENUNO15 34 I-F ACCESSIBLE BBL

1810 Code ZU/34/IF/U15/S/BBL/160



ZENUNO15 34 I-F ACCESSIBLE BBR

1810 Code ZU/34/IF/U15/S/BBR/161



ZENUNO15 34 I-F ACCESSIBLE BBL

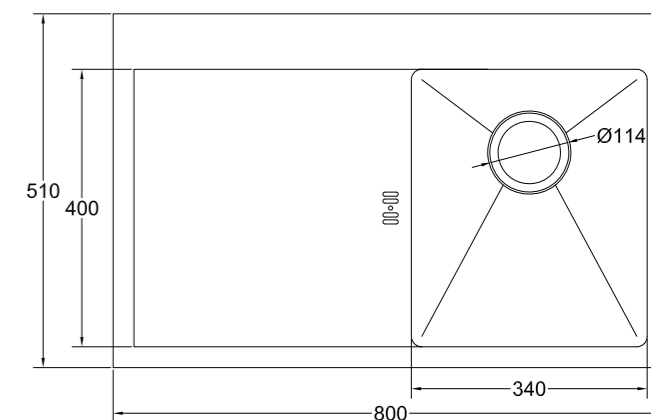
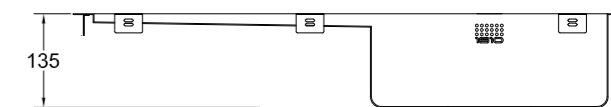
Minimum Sink Cabinet Size: 450mm

For accessories see page 151

- Additional insulation on bottom of bowl to prevent heat transfer
- Alternative sink and drainer sizes and bowl depth are available through our Bespoke service
- 3 1/2" BSW and concealed overflow included
- Maximiser plumbing kit included
- Individually boxed
- Steel thickness 1.2mm
- Shallower bowl to allow access
- Inset bowl which can be flushfit or undermounted



Alternative sink and drainer sizes and bowl depth are available through our Bespoke service



ZENUNO15 34 I-F ACCESSIBLE BBR

Minimum Sink Cabinet Size: 450mm

For accessories see page 151

- Additional insulation on bottom of bowl to prevent heat transfer
- Alternative sink and drainer sizes and bowl depth are available through our Bespoke service
- 3 1/2" BSW and concealed overflow included
- Maximiser plumbing kit included
- Individually boxed
- Steel thickness 1.2mm
- Shallower bowl to allow access
- Inset bowl which can be flushfit or undermounted



Alternative sink and drainer sizes and bowl depth are available through our Bespoke service



The Zen10 Options Range

A range of contemporary undermount sinks with a choice of versatile accessories to turn your sink into a multi-purpose workstation.



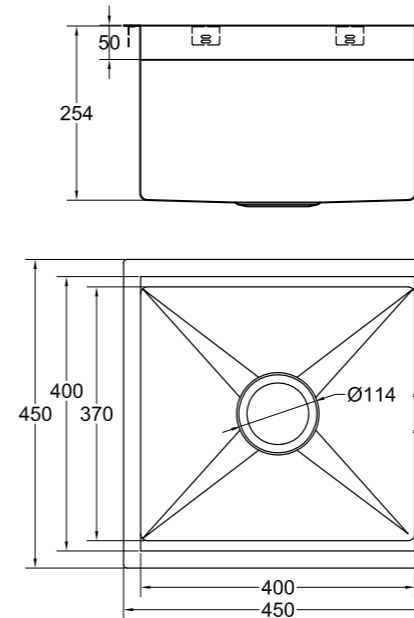
ZENUNO10 400 OPTIONS

1810 Code ZUO/40/U10/S/180



ZENUNO10 800 OPTIONS

1810 Code ZUO/80/U10/S/181



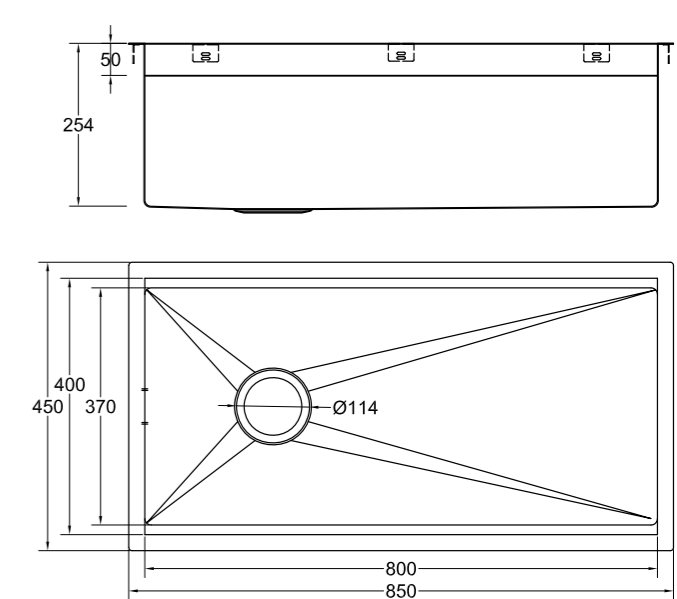
ZENUNO10 400 OPTIONS STAINLESS STEEL

Minimum Sink Cabinet Size: **500mm**
For accessories see page 151



Shown with:
Medium garnish bowls, drainer

- 10mm radius handmade undermount bowl
- Can also be flush mount and inset
- Satin finish
- 3 1/2" BSW and concealed overflow included
- Maximiser plumbing kit included
- Individually boxed
- Steel thickness 1.2mm
- Includes 1 x Band B accessory
- We recommend leaving a reveal of 420mm to ensure maximum stability of the accessory. If the sink is installed without a reveal the accessory will sit on the work surface.



ZENUNO10 800 OPTIONS STAINLESS STEEL

Minimum Sink Cabinet Size: **900mm**
For accessories see page 151



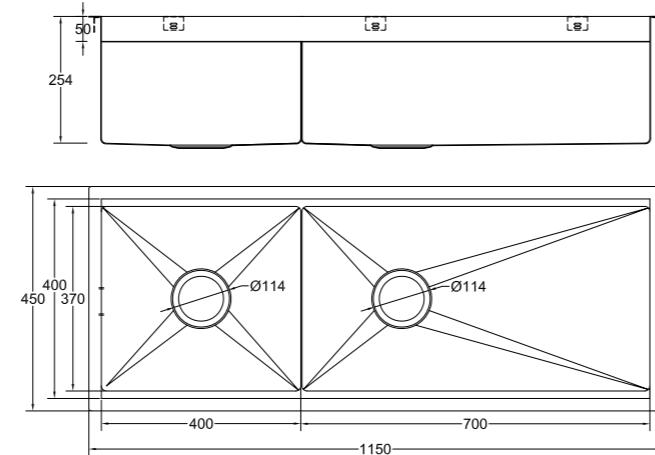
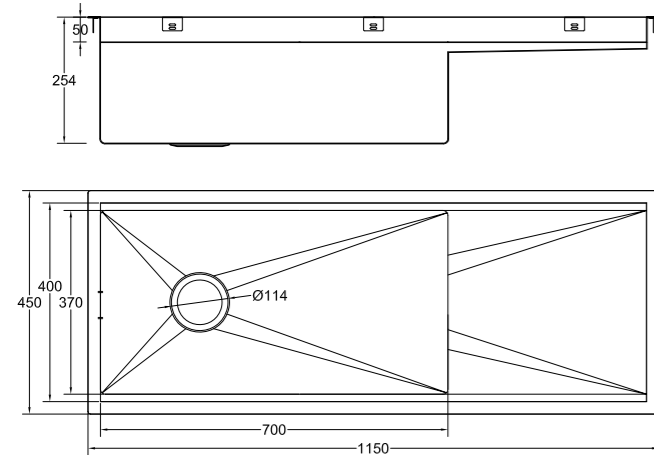
Shown with:
Colander, medium garnish bowls, drainer

- 10mm radius handmade undermount bowl
- Can also be flush mount and inset
- Satin finish
- 3 1/2" BSW and concealed overflow included
- Maximiser plumbing kit included
- Individually boxed
- Steel thickness 1.2mm
- Includes 1 x Band B accessory
- We recommend leaving a reveal of 420mm to ensure maximum stability of the accessory. If the sink is installed without a reveal the accessory will sit on the work surface.



ZENUNO10 700 OPTIONS
1810 Code ZUO/700/U10/S/REV/183

ZENDUO10 1100 OPTIONS
1810 Code ZDO/1100/U10/S/REV/182



ZENUNO10 700 OPTIONS STAINLESS STEEL

Minimum Sink Cabinet Size: **800mm**
For accessories see page 151

- 10mm radius handmade undermount bowl
- Can also be flush mount and inset
- Satin finish
- 3 1/2" BSW and concealed overflow included
- Maximiser plumbing kit included
- Individually boxed
- Steel thickness 1.2mm
- Includes 1 x Band B accessory
- We recommend leaving a reveal of 420mm to ensure maximum stability of the accessory. If the sink is installed without a reveal the accessory will sit on the work surface.



Shown with:
Large garnish bowls, medium garnish bowls, chopping board

ZENDUO10 1100 OPTIONS STAINLESS STEEL

Minimum Sink Cabinet Size: **1200mm**
For accessories see page 151

- 10mm radius handmade undermount bowl
- Can also be flush mount and inset
- Satin finish
- 3 1/2" BSW and concealed overflow included
- Maximiser plumbing kit included
- Individually boxed
- Steel thickness 1.2mm
- Includes 1 x Band B accessory
- We recommend leaving a reveal of 420mm to ensure maximum stability of the accessory. If the sink is installed without a reveal the accessory will sit on the work surface.



Shown with:
Bowl, chopping board, drainer

The natural bamboo accessories have been treated with wood wax and are therefore suitable for kitchen use. Spacers are provided to enable all accessories to be used on both the upper and lower tier.

ZEN10 OPTIONS ACCESSORIES – BAND A

1810 Code AC-ZENOPT-BANDA



- COLANDER HOLDER INC. COLANDER AND BOWL
1810 Code AC-ZENOPT-COL
- CHOPPING BOARD
1810 Code AC-ZENOPT-CB
- LARGE GARNISH BOWL INC. 6 POTS
1810 Code AC-ZENOPT-GB-LG

ZEN10 OPTIONS ACCESSORIES – BAND B

1810 Code AC-ZENOPT-BANDB



- MEDIUM GARNISH BOARD INC. 3 POTS
1810 Code ACZENOPT-GB-MD
- SMALL GARNISH BOARD INC. 2 POTS
1810 Code AC-ZENOPT-GB-SM
- DRAINER WITH BARS 280MM
1810 Code AC-ZENOPT-DR-LG
- DRAINER WITH BARS 180MM
1810 Code AC-ZENOPT-DR-SM

BAND A

BAND B



The Accessory Trough Range

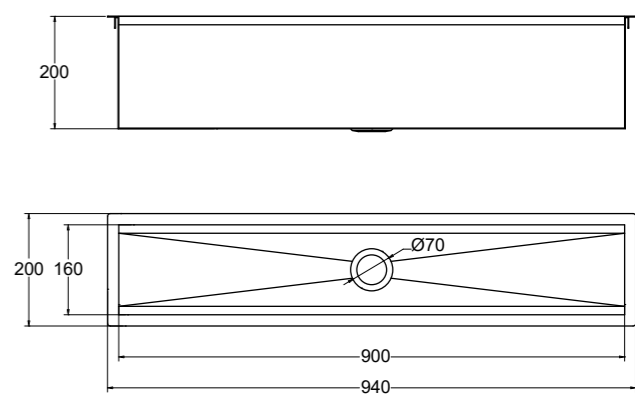
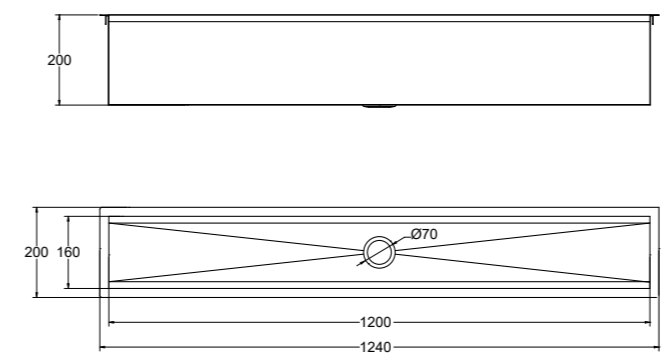
A versatile 1810 trough is the perfect addition to any new kitchen whether you are a regular party host or require the individuality of the accessories available.



ACCESSORY CHANNEL 900MM
1810 Code AC-CHAN/900/S/201



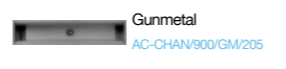
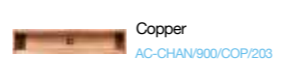
ACCESSORY CHANNEL 1200MM
1810 Code AC-CHAN/1200/S/202



ACCESSORY CHANNEL 900MM STAINLESS STEEL

- Handmade undermount trough
- Can also be flushfit or inset
- Satin finish
- Steel thickness 1.2mm
- Can be plumbed in (waste kit included)
- Accommodates 3 x accessories
- L940mm W200mm H200mm

Also available in:

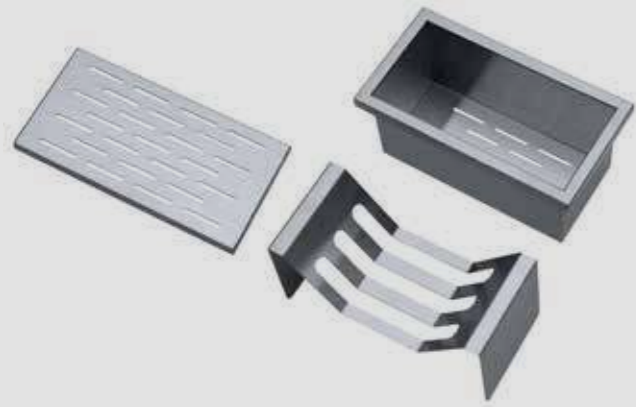


ACCESSORY CHANNEL 1200MM STAINLESS STEEL

- Handmade undermount trough
- Can also be flushfit or inset
- Satin finish
- Steel thickness 1.2mm
- Can be plumbed in (waste kit included)
- Accommodates 4 x accessories
- L1240mm W200mm H200mm

Also available in:

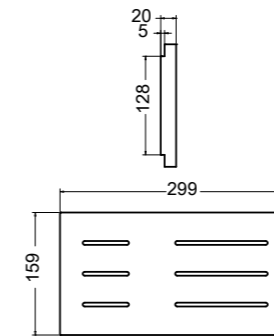
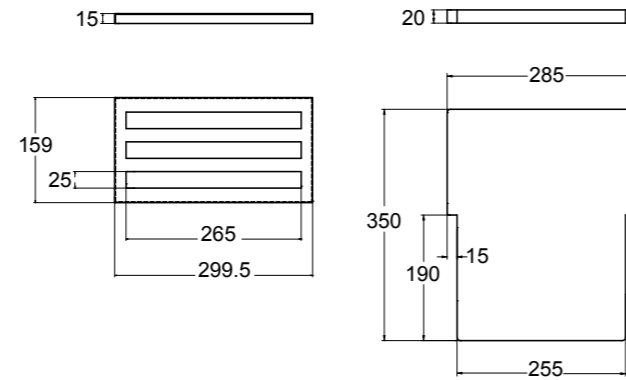
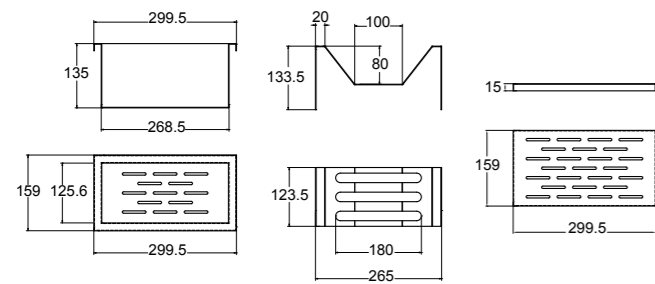




**ACCESSORY CHANNEL PACK 1
(GLASS DRAINER, DISH RACK & COLANDER)**
1810 Code AC-CHAN-PACK1

ACCESSORY CHANNEL PACK 2 (CHOPPING BOARD HOLDER, CHOPPING BOARDS X 3) SS
1810 Code AC-CHAN-PACK2

ACCESSORY CHANNEL PACK 3 KNIFE BLOCK (KNIVES NOT INCLUDED)
1810 Code AC-CHAN-PACK3



**ACCESSORY CHANNEL PACK 1
(GLASS DRAINER, DISH RACK & COLANDER) STAINLESS STEEL**

- Glass Drainer
- Colander
- Dish Rack

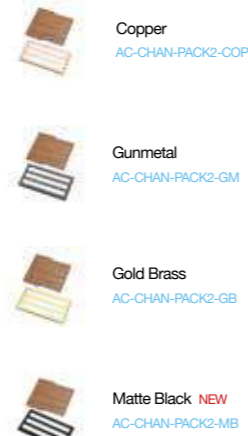
Also available in:



ACCESSORY CHANNEL PACK 2 (CHOPPING BOARD HOLDER, CHOPPING BOARDS X 3) SS

- Board holder manufactured from 1.2mm thick stainless steel
- Sapele wood chopping boards x 3

Also available in:



ACCESSORY CHANNEL PACK 3 KNIFE BLOCK (KNIVES NOT INCLUDED)

- Sapele wood knife block





The Luxoplus Range

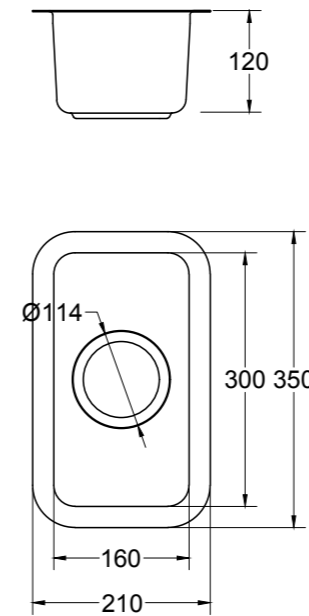
The Luxoplus Range is a contemporary design with 25mm radius corners.



LUXOPLUSUNO25 160U
1810 Code LPU/16/U25/S/350



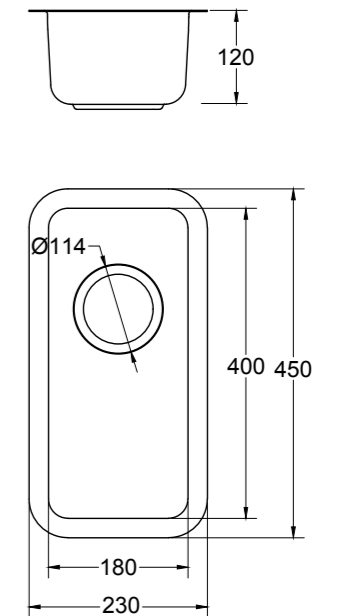
LUXOPLUSUNO25 180U
1810 Code LPU/18/U25/S/351



LUXOPLUSUNO25 160U STAINLESS STEEL

Minimum Sink Cabinet Size: **300mm**

- Undermount bowl
- Satin finish
- 3 1/2" basket strainer waste included
- Individually boxed
- Steel thickness 1.2mm
- Cut out template
- Installation: Undermount
- Insusound® (X)



LUXOPLUSUNO25 180U STAINLESS STEEL

Minimum Sink Cabinet Size: **300mm**

- Undermount bowl
- Satin finish
- 3 1/2" basket strainer waste included
- Individually boxed
- Steel thickness 1.2mm
- Cut out template
- Installation: Undermount
- Insusound® (X)



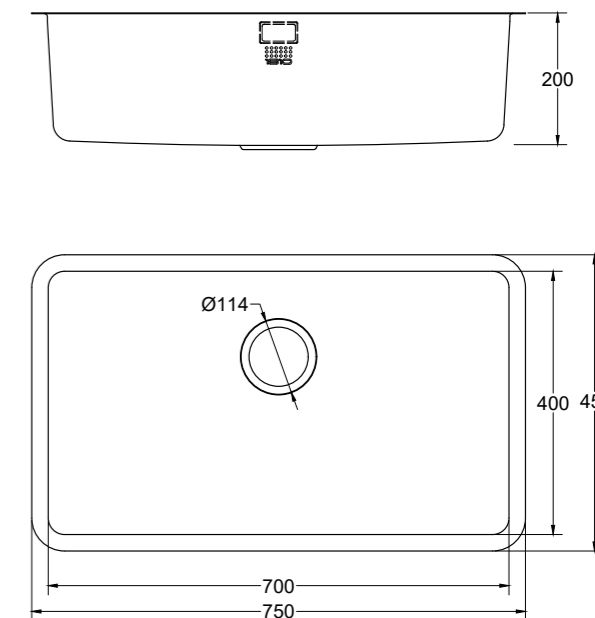
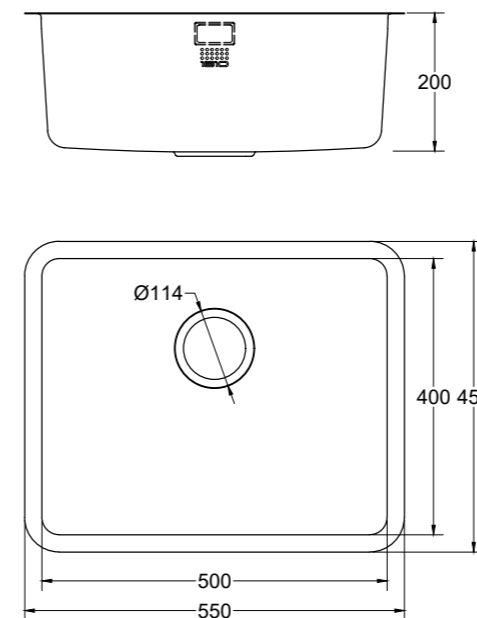
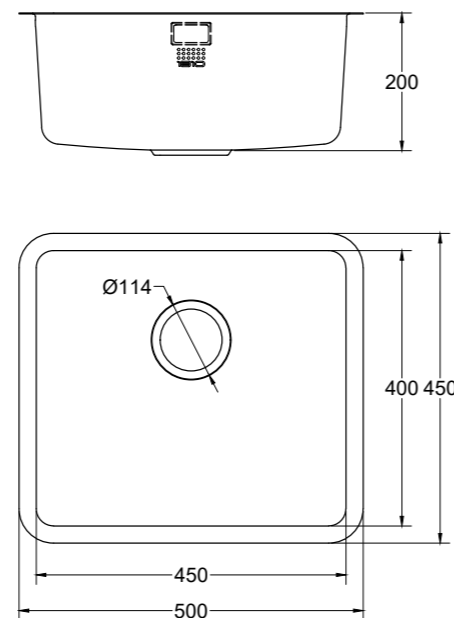
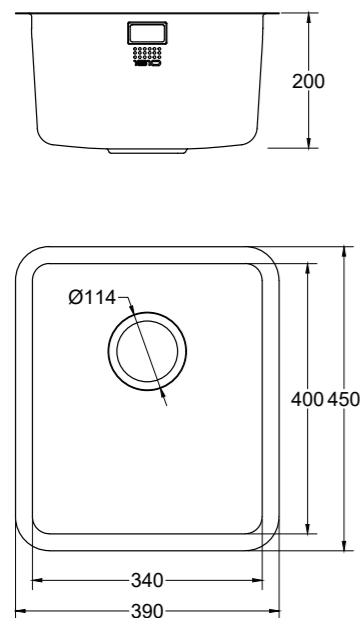


LUXOPLUSUNO25 340U
1810 Code LPU/34/U25/S/352

LUXOPLUSUNO25 450U
1810 Code LPU/45/U25/S/353

LUXOPLUSUNO25 500U
1810 Code LPU/50/U25/S/354

LUXOPLUSUNO25 700U
1810 Code LPU/70/U25/S/355



LUXOPLUSUNO25 340U STAINLESS STEEL

Minimum Sink Cabinet Size: **400mm**

- Undermount bowl
- Satin finish
- 3 1/2" basket strainer waste included
- Individually boxed
- Steel thickness 1.2mm
- Cut out template
- Installation: Undermount
- Insusound® (X)



LUXOPLUSUNO25 450U STAINLESS STEEL

Minimum Sink Cabinet Size: **500mm**

- Undermount bowl
- Satin finish
- 3 1/2" basket strainer waste included
- Individually boxed
- Steel thickness 1.2mm
- Cut out template
- Installation: Undermount
- Insusound® (X)



LUXOPLUSUNO25 500U STAINLESS STEEL

Minimum Sink Cabinet Size: **600mm**

- Undermount bowl
- Satin finish
- 3 1/2" basket strainer waste included
- Individually boxed
- Steel thickness 1.2mm
- Cut out template
- Installation: Undermount
- Insusound® (X)



LUXOPLUSUNO25 700U STAINLESS STEEL

Minimum Sink Cabinet Size: **800mm**

- Undermount bowl
- Satin finish
- 3 1/2" basket strainer waste included
- Individually boxed
- Steel thickness 1.2mm
- Cut out template
- Installation: Undermount
- Insusound® (X)





LUXOPLUSDUO25 340/160U BBL

1810 Code LPD/3416/U25/S/BBL/357

LUXOPLUSDUO25 160/340U BBR

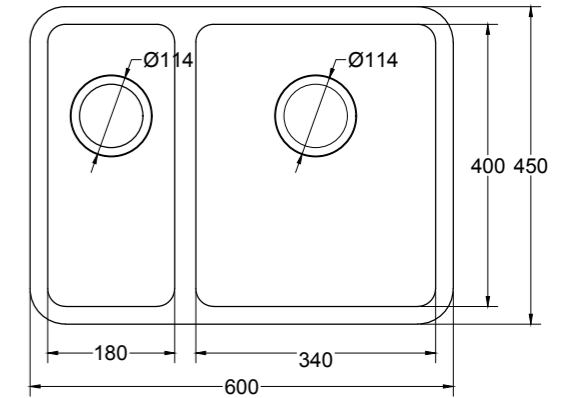
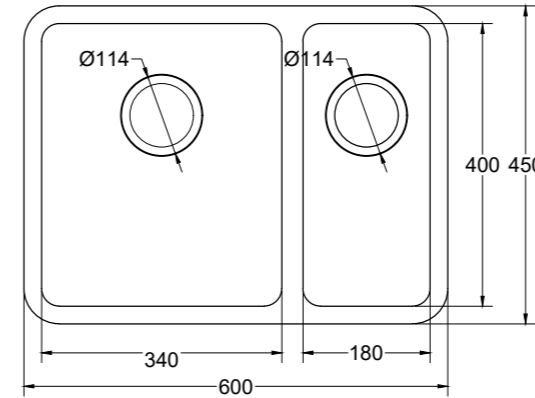
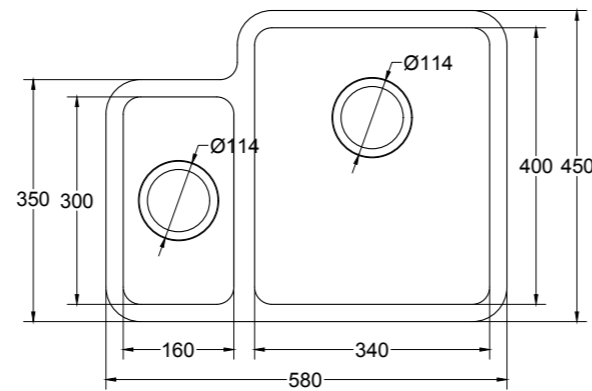
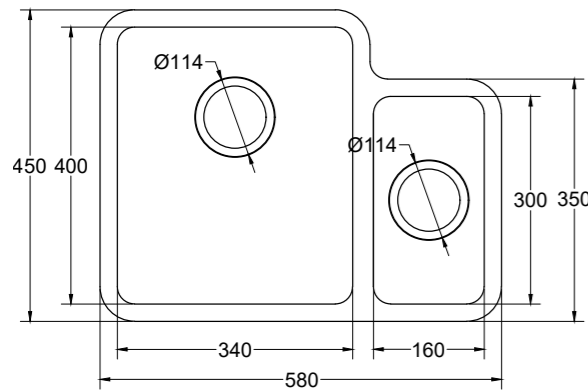
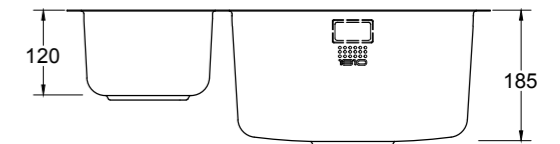
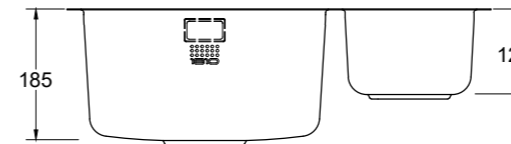
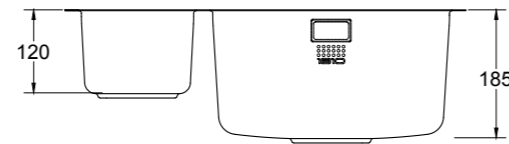
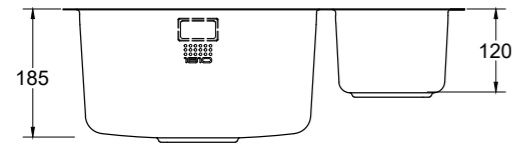
1810 Code LPD/1634/U25/S/BBR/356

LUXOPLUSDUO25 340/180U BBL

1810 Code LPD/3418/U25/S/BBL/359

LUXOPLUSDUO25 180/340U BBR

1810 Code LPD/1834/U25/S/BBR/358



LUXOPLUSDUO25 340/160 BBL
Minimum Sink Cabinet Size: **600mm**

- Undermount bowl
- Satin finish
- 3 1/2" basket strainer waste included
- Individually boxed
- Steel thickness 1.2mm
- Cut out template
- Installation: Undermount
- Insusound® (X)



LUXOPLUSDUO25 160/340 BBR
Minimum Sink Cabinet Size: **600mm**

- Undermount bowl
- Satin finish
- 3 1/2" basket strainer waste included
- Individually boxed
- Steel thickness 1.2mm
- Cut out template
- Installation: Undermount
- Insusound® (X)



LUXOPLUSDUO25 340/180 BBL
Minimum Sink Cabinet Size: **600mm**

- Undermount bowl
- Satin finish
- 3 1/2" basket strainer waste included
- Individually boxed
- Steel thickness 1.2mm
- Cut out template
- Installation: Undermount
- Insusound® (X)



LUXOPLUSDUO25 180/340 BBR
Minimum Sink Cabinet Size: **600mm**

- Undermount bowl
- Satin finish
- 3 1/2" basket strainer waste included
- Individually boxed
- Steel thickness 1.2mm
- Cut out template
- Installation: Undermount
- Insusound® (X)





LUXSOPLUSDUO25 500/180U BBL

1810 Code LPD/5018/U25/S/BBL/361

LUXSOPLUSDUO25 180/500U BBR

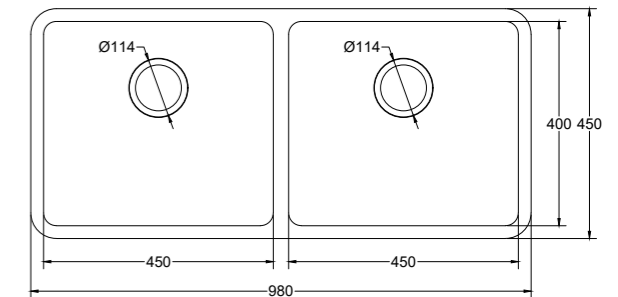
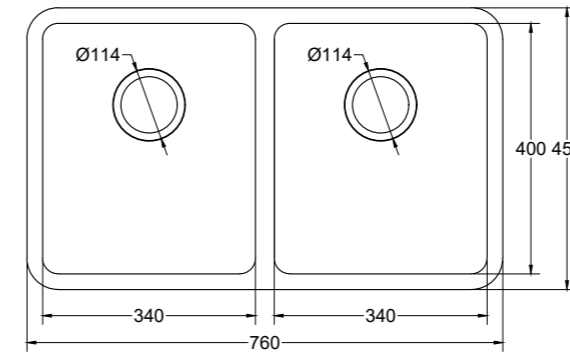
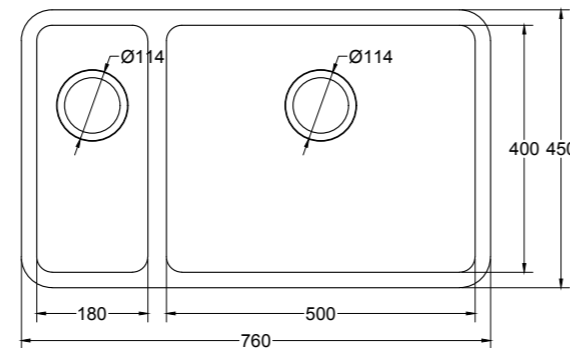
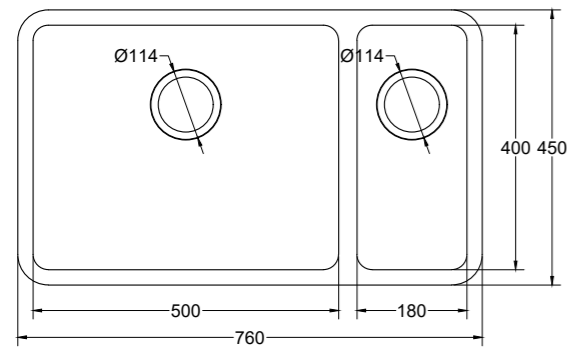
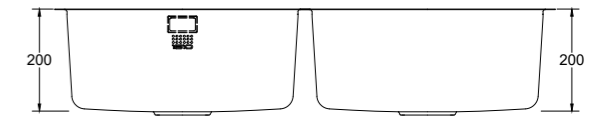
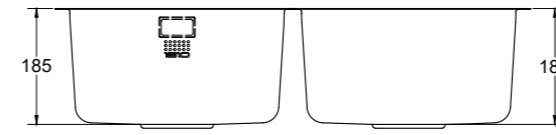
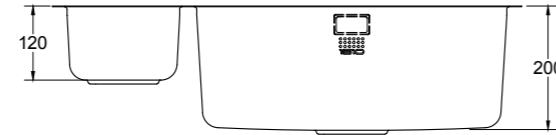
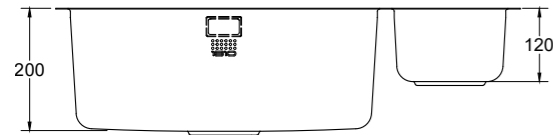
1810 Code LPD/1850/U25/S/BBR/360

LUXSOPLUSDUO25 340/340U

1810 Code LPD/3434/U25/S/362

LUXSOPLUSDUO25 450/450U

1810 Code LPD/4545/U25/S/363



LUXSOPLUSDUO25 500/180 BBL
Minimum Sink Cabinet Size: **800mm**

- Undermount bowl
- Satin finish
- 3 1/2" basket strainer waste included
- Individually boxed
- Steel thickness 1.2mm
- Cut out template
- Installation: Undermount
- Insusound® (X)



LUXSOPLUSDUO25 180/500 BBR
Minimum Sink Cabinet Size: **800mm**

- Undermount bowl
- Satin finish
- 3 1/2" basket strainer waste included
- Individually boxed
- Steel thickness 1.2mm
- Cut out template
- Installation: Undermount
- Insusound® (X)



LUXSOPLUSDUO25 340/340 STAINLESS STEEL
Minimum Sink Cabinet Size: **800mm**

- Undermount bowl
- Satin finish
- 3 1/2" basket strainer waste included
- Individually boxed
- Steel thickness 1.2mm
- Cut out template
- Installation: Undermount
- Insusound® (X)



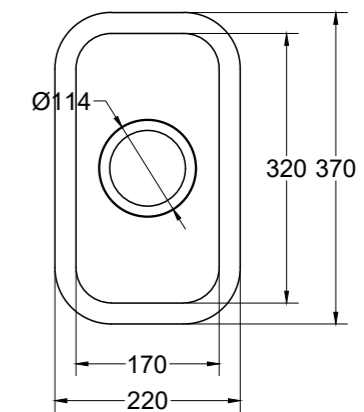
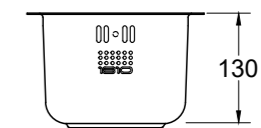
LUXSOPLUSDUO25 450/450 STAINLESS STEEL
Minimum Sink Cabinet Size: **1000mm**

- Undermount bowl
- Satin finish
- 3 1/2" basket strainer waste included
- Individually boxed
- Steel thickness 1.2mm
- Cut out template
- Installation: Undermount
- Insusound® (X)





ETROUNO 170U
1810 Code EU/17/U/MS/034



ETROUNO 170U STAINLESS STEEL
Minimum Sink Cabinet Size: 300mm
For accessories see page 151

- Undermount bowl
- Satin finish
- 3 1/2" Basket strainer waste and overflow included
- Individually boxed
- Steel thickness 1.2mm
- Installation: Undermount
- Insusound®



The Etro Range

The Etro Range has a curved classic design.

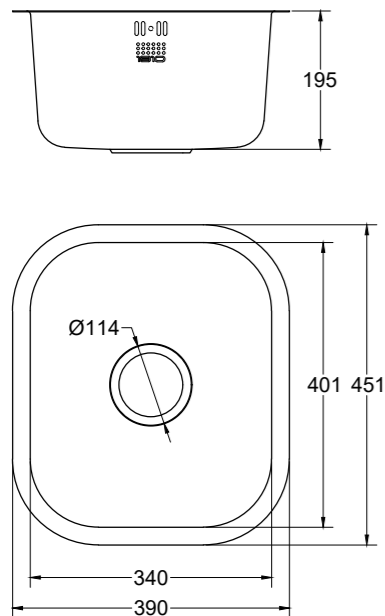


ETROUNO 340 U
1810 Code EU/34/U/MS/035

ETROUNO 400U
1810 Code EU/40/U/MS/036

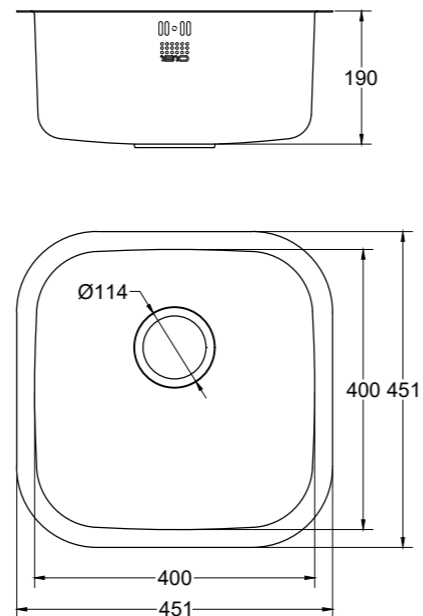
ETROUNO 550U
1810 Code EU/55/U/MS/037

ETRODUO 589/450U REV
1810 Code ED/5845/U/MS/REV/031



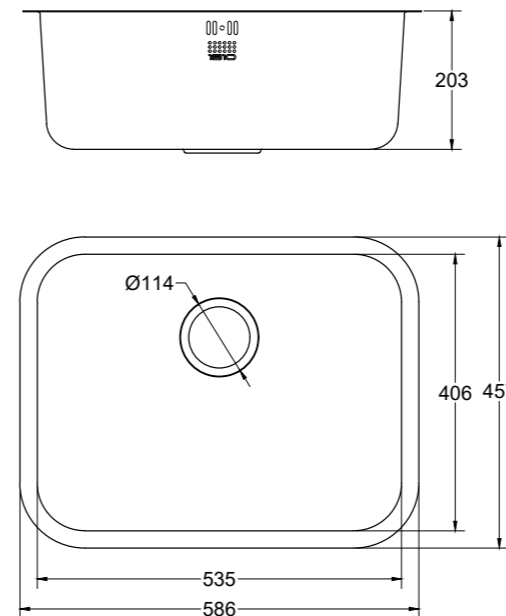
ETROUNO 340 U STAINLESS STEEL
Minimum Sink Cabinet Size: **400mm**
For accessories see page 151

- Undermount bowl
- Satin finish
- 3 1/2" Basket strainer waste and overflow included
- Individually boxed
- Steel thickness 1.2mm
- Installation: Undermount
- Insusound®



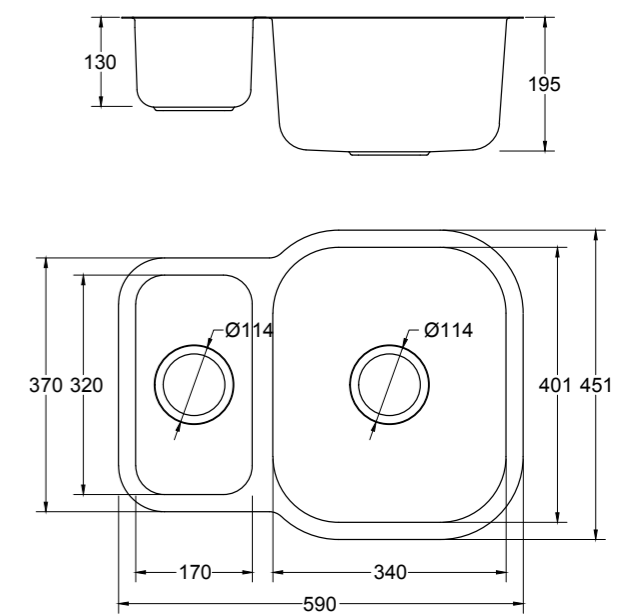
ETROUNO 400U STAINLESS STEEL
Minimum Sink Cabinet Size: **450mm**
For accessories see page 151

- Undermount bowl
- Satin finish
- 3 1/2" Basket strainer waste and overflow included
- Individually boxed
- Steel thickness 1.2mm
- Installation: Undermount
- Insusound®



ETROUNO 550U STAINLESS STEEL
Minimum Sink Cabinet Size: **600mm**
For accessories see page 151

- Undermount bowl
- Satin finish
- 3 1/2" Basket strainer waste and overflow included
- Individually boxed
- Steel thickness 1.2mm
- Installation: Undermount
- Insusound®



ETRODUO 589/450U REV STAINLESS STEEL
Minimum Sink Cabinet Size: **600mm**
For accessories see page 151

- Undermount bowl
- Satin finish
- 3 1/2" Basket strainer waste and overflow included
- Individually boxed
- Steel thickness 1.2mm
- Installation: Undermount
- Insusound®



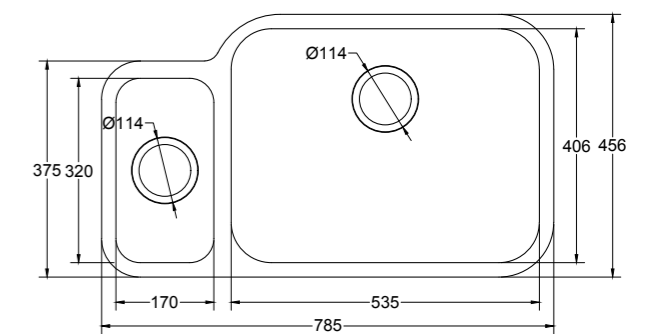
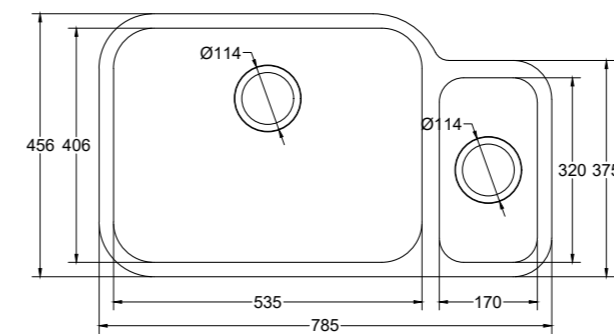
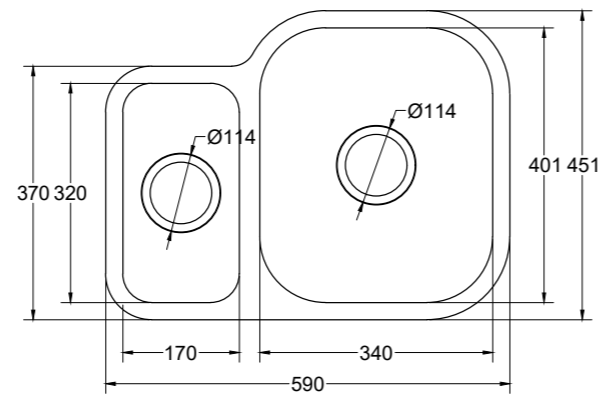
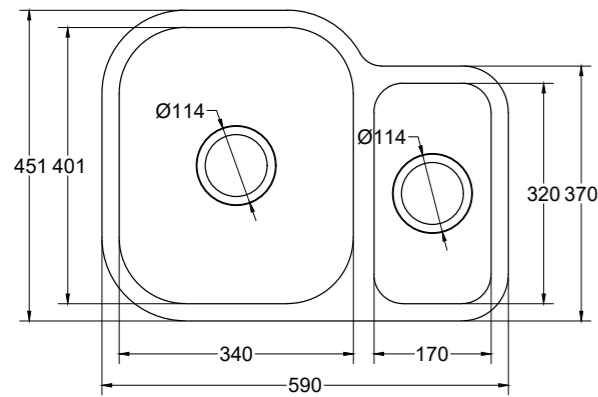
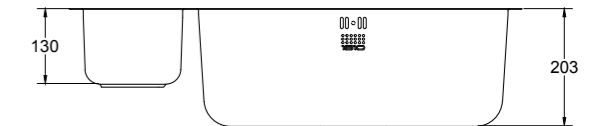
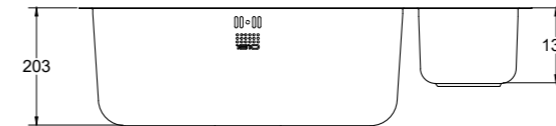
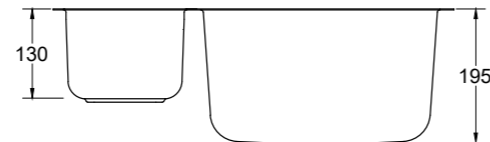
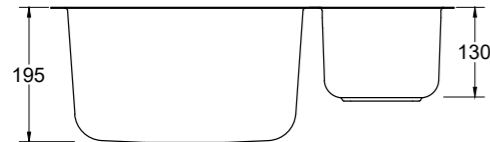


ETRODUO 589/450U BBL
1810 Code ED/5845/U/MS/BBL/032

ETRODUO 589/450U BBR
1810 Code ED/5845/U/MS/BBR/033

ETRODUO 781/450U BBL
1810 Code ED/7845/U/MS/BBL/100

ETRODUO 781/450U BBR
1810 Code ED/7845/U/MS/BBR/101



ETRODUO 589/450U BBL
Minimum Sink Cabinet Size: **600mm**
For accessories see page 151

- Undermount bowl
- Satin finish
- 3 1/2" Basket strainer waste and overflow included
- Individually boxed
- Steel thickness 1.2mm
- Installation: Undermount
- Insusound®



ETRODUO 589/450U BBR
Minimum Sink Cabinet Size: **600mm**
For accessories see page 151

- Undermount bowl
- Satin finish
- 3 1/2" Basket strainer waste and overflow included
- Individually boxed
- Steel thickness 1.2mm
- Installation: Undermount
- Insusound®



ETRODUO 781/450U BBL
Minimum Sink Cabinet Size: **800mm**
For accessories see page 151

- Undermount bowl
- Satin finish
- 3 1/2" Basket strainer waste and overflow included
- Individually boxed
- Steel thickness 1.2mm
- Installation: Undermount
- Insusound®



ETRODUO 781/450U BBR
Minimum Sink Cabinet Size: **800mm**
For accessories see page 151

- Undermount bowl
- Satin finish
- 3 1/2" Basket strainer waste and overflow included
- Individually boxed
- Steel thickness 1.2mm
- Installation: Undermount
- Insusound®



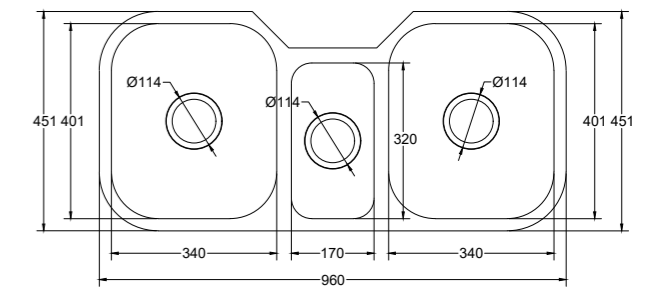
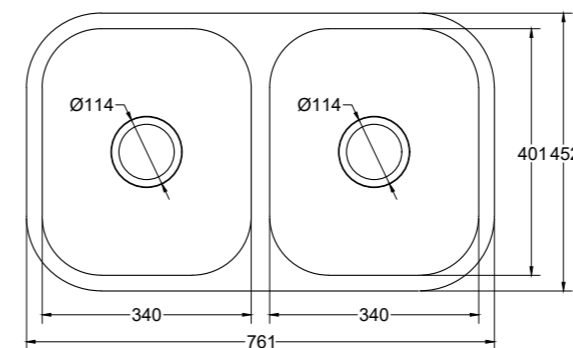
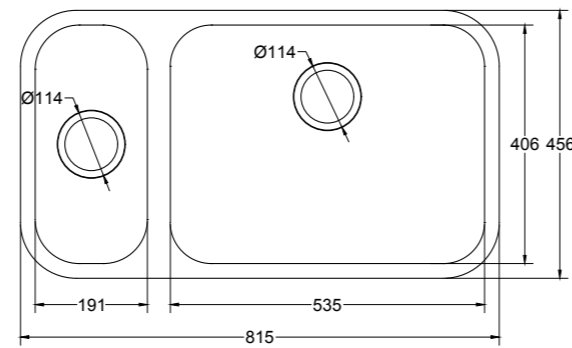
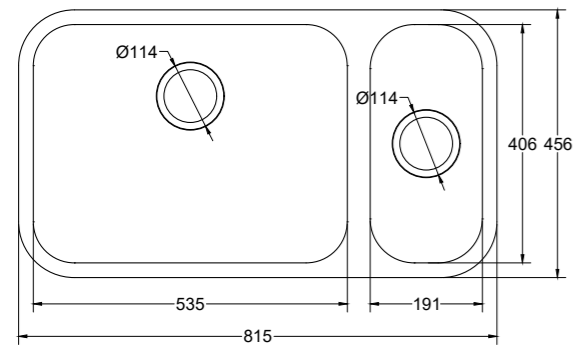
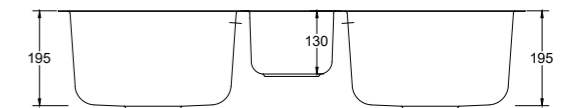
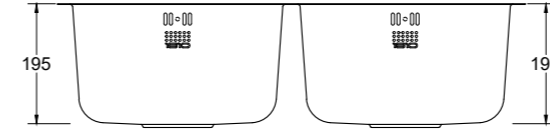
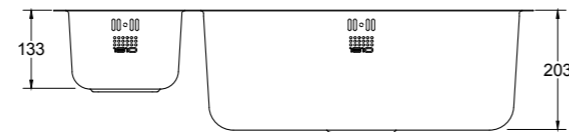


ETRODUO 535/191U BBL
1810 Code ED/5319/U/MS/BBL/103

ETRODUO191/535U BBR
1810 Code ED/1953/U/MS/BBR/104

ETRODUO 340/340U
1810 Code ED/3434/U/MS/105

ETROTrio 960/450U 3 BOWL
1810 Code ET/9645/U/MS/102



ETRODUO 535/191U BBL
Minimum Sink Cabinet Size: **900mm**
For accessories see page 151

- Undermount bowl
- Satin finish
- 3 1/2" Basket strainer waste and overflow included
- Individually boxed
- Steel thickness 1.2mm
- Installation: Undermount
- Insusound®



ETRODUO191/535U BBR
Minimum Sink Cabinet Size: **900mm**
For accessories see page 151

- Undermount bowl
- Satin finish
- 3 1/2" Basket strainer waste and overflow included
- Individually boxed
- Steel thickness 1.2mm
- Installation: Undermount
- Insusound®



ETRODUO 340/340U STAINLESS STEEL
Minimum Sink Cabinet Size: **800mm**
For accessories see page 151

- Undermount bowl
- Satin finish
- 3 1/2" Basket strainer waste and overflow included
- Individually boxed
- Steel thickness 1.2mm
- Installation: Undermount
- Insusound®



ETROTrio 960/450U 3 BOWL STAINLESS STEEL
Minimum Sink Cabinet Size: **1000mm**
For accessories see page 151

- Undermount bowl
- Satin finish
- 3 1/2" Basket strainer waste and overflow included
- Individually boxed
- Steel thickness 1.2mm
- Installation: Undermount
- Insusound®





The Razor10 Range

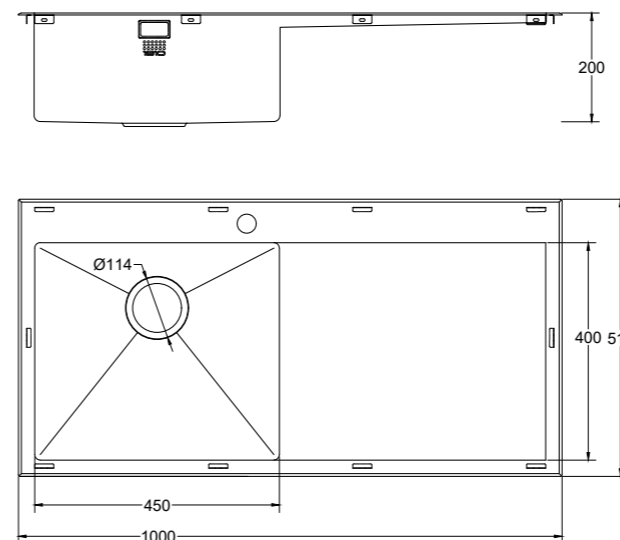
A range of stainless steel inset sinks featuring a 10mm radius, 3.5mm thick top deck and contemporary 'Razor' edge profile.



RAZORUNO10 5 I-F BBL
1810 Code RU/5/IF/U10/S/BBL/250



RAZORUNO10 5 I-F BBR
1810 Code RU/5/IF/U10/S/BBR/251

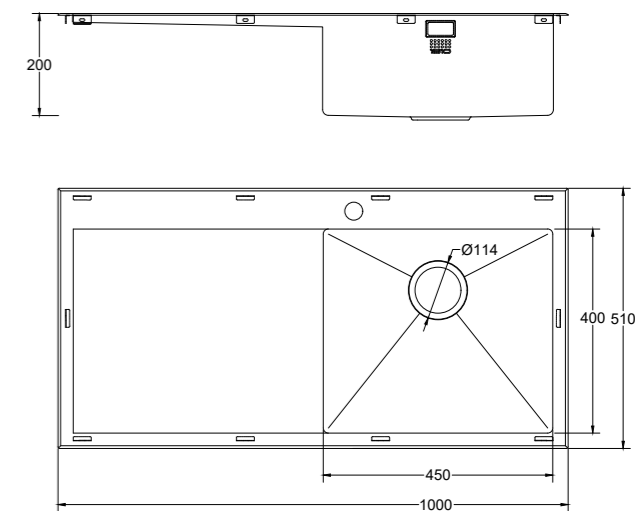


RAZORUNO10 5 I-F BBL

Minimum Sink Cabinet Size: 500mm



- Handmade inset bowl
- Razor edge profile
- Satin finish
- 3 1/2" BSW and concealed overflow included
- Maximiser plumbing kit included
- Individually boxed
- Top deck
- 3.5mm tapered edges
- No tap brace required when using high neck taps
- Bowl - 1.2mm stainless steel
- Installation: Inset
- Insusound®



RAZORUNO10 5 I-F BBR

Minimum Sink Cabinet Size: 500mm



- Handmade inset bowl
- Razor edge profile
- Satin finish
- 3 1/2" BSW and concealed overflow included
- Maximiser plumbing kit included
- Individually boxed
- Top deck
- 3.5mm tapered edges
- No tap brace required when using high neck taps
- Bowl - 1.2mm stainless steel
- Installation: Inset
- Insusound®

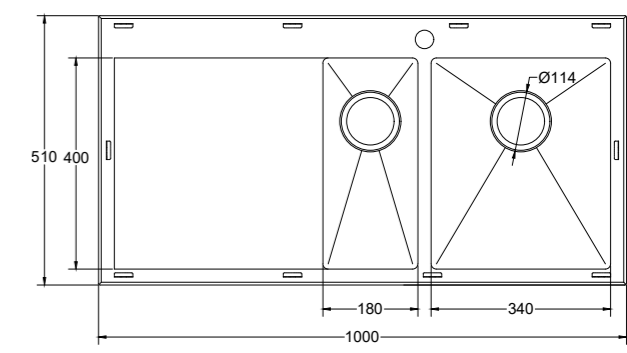
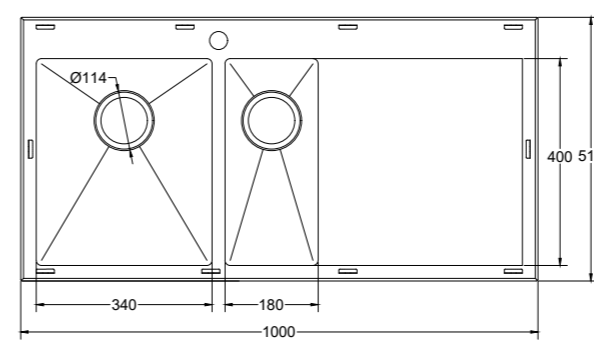
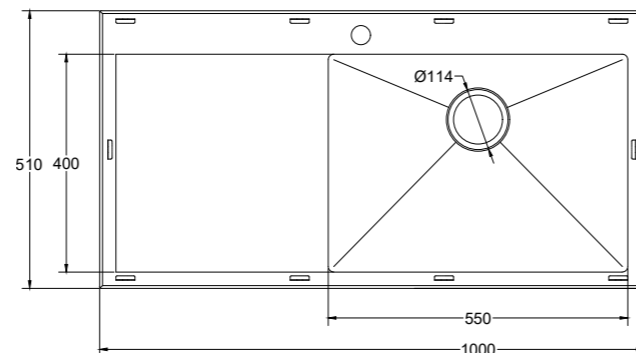
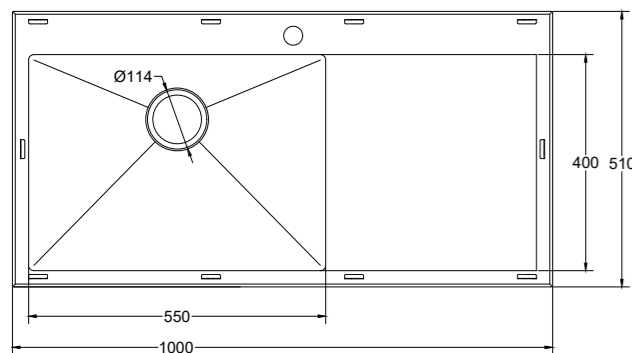
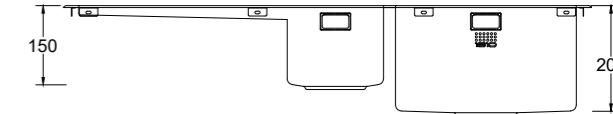
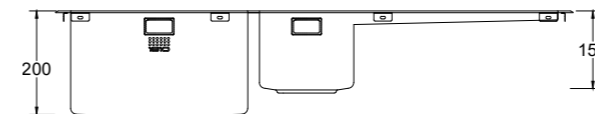
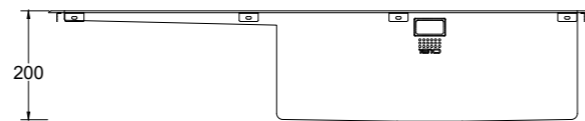
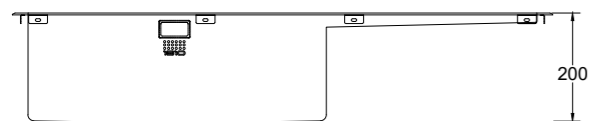


RAZORUNO10 55 I-F BBL
1810 Code RU/55/IF/U10/S/BBL/252

RAZORUNO10 55 I-F BBR
1810 Code RU/55/IF/U10/S/BBR/253

RAZORDUO10 6 I-F BBL
1810 Code RD/6/IF/U10/S/BBL/254

RAZORDUO10 6 I-F BBR
1810 Code RD/6/IF/U10/S/BBR/255



RAZORUNO10 55 I-F BBL
Minimum Sink Cabinet Size: **600mm**

- Handmade inset bowl
- Razor edge profile
- Satin finish
- 3 1/2" BSW and concealed overflow included
- Maximiser plumbing kit included
- Individually boxed
- Top deck
- 3.5mm tapered edges
- No tap brace required when using high neck taps
- Bowl - 1.2mm stainless steel
- Installation: Inset
- Insusound®



RAZORUNO10 55 I-F BBR
Minimum Sink Cabinet Size: **600mm**

- Handmade inset bowl
- Razor edge profile
- Satin finish
- 3 1/2" BSW and concealed overflow included
- Maximiser plumbing kit included
- Individually boxed
- Top deck
- 3.5mm tapered edges
- No tap brace required when using high neck taps
- Bowl - 1.2mm stainless steel
- Installation: Inset
- Insusound®



RAZORDUO10 6 I-F BBL
Minimum Sink Cabinet Size: **600mm**

- Handmade inset bowl
- Razor edge profile
- Satin finish
- 3 1/2" BSW and concealed overflow included
- Maximiser plumbing kit included
- Individually boxed
- Top deck
- 3.5mm tapered edges
- No tap brace required when using high neck taps
- Bowl - 1.2mm stainless steel
- Installation: Inset
- Insusound®



RAZORDUO10 6 I-F BBR
Minimum Sink Cabinet Size: **600mm**

- Handmade inset bowl
- Razor edge profile
- Satin finish
- 3 1/2" BSW and concealed overflow included
- Maximiser plumbing kit included
- Individually boxed
- Top deck
- 3.5mm tapered edges
- No tap brace required when using high neck taps
- Bowl - 1.2mm stainless steel
- Installation: Inset
- Insusound®





The Forza Range

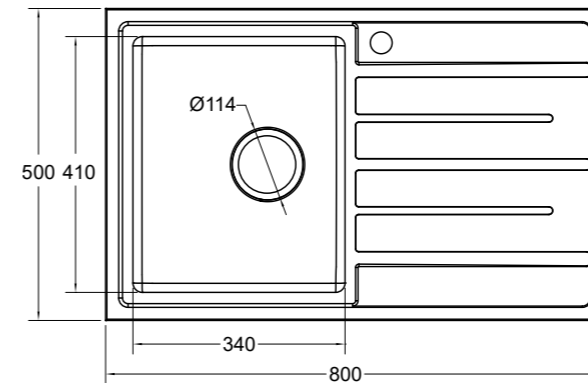
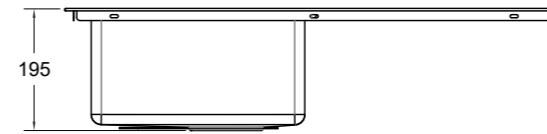
The handmade Forza range feature a 15mm internal radius and benefit from 1.2mm thick steel providing strength and durability.



FORZAUNO 800I BBL
1810 Code FU/80/I/S/BBL/401

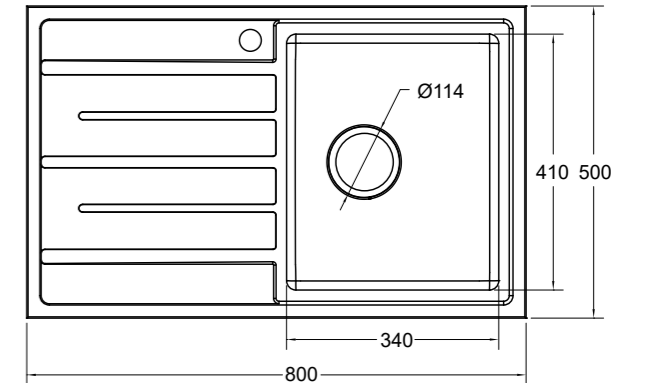
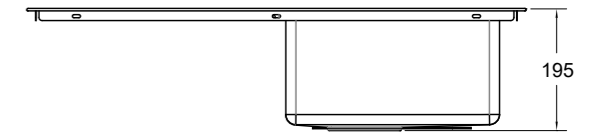


FORZAUNO 800I BBR
1810 Code FU/80/I/S/BBR/402



FORZAUNO 800I BBL
Minimum Sink Cabinet Size: 500mm

- Handmade bowl welded to a pressed top frame
- Inset installation
- Satin finish
- Steel thickness 1.2mm
- 3 1/2" Basket strainer waste and concealed overflow included
- Maximiser plumbing kit included
- Individually boxed
- Template included
- Installation: Inset
- Insusound®



FORZAUNO 800I BBR
Minimum Sink Cabinet Size: 500mm

- Handmade bowl welded to a pressed top frame
- Inset installation
- Satin finish
- Steel thickness 1.2mm
- 3 1/2" Basket strainer waste and concealed overflow included
- Maximiser plumbing kit included
- Individually boxed
- Template included
- Installation: Inset
- Insusound®



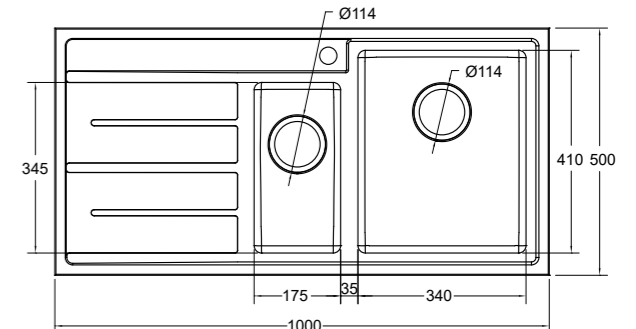
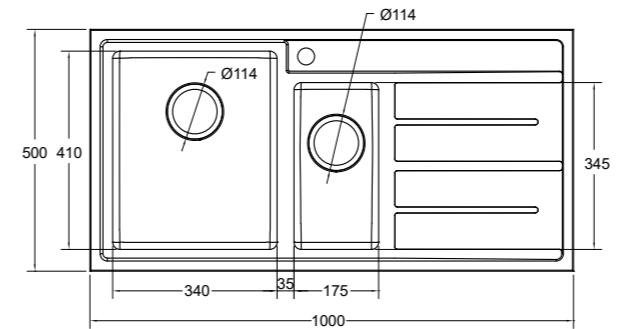
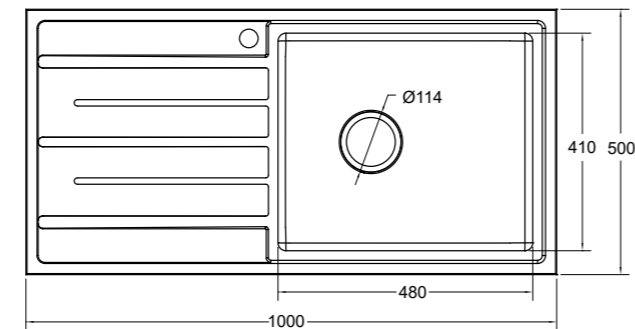
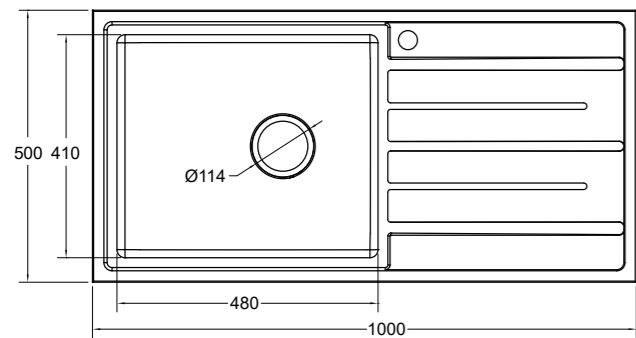
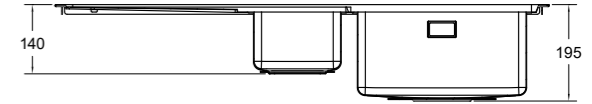
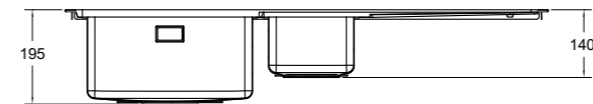
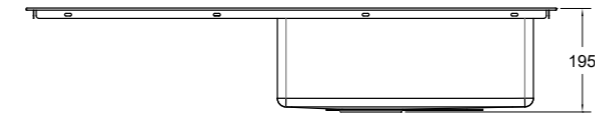
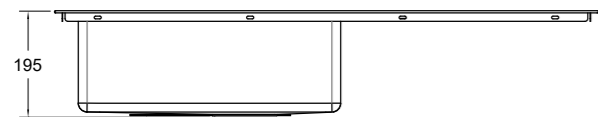


FORZAUNO 100I LARGE BBL
1810 Code FU/100/I/S/BBL/LGE/403

FORZAUNO 100I LARGE BBR
1810 Code FU/100/I/S/BBR/LGE/404

FORZADUO 150I BBL
1810 Code FD/150/I/S/BBL/405

FORZADUO 150I BBR
1810 Code FD/150/I/S/BBR/406



FORZAUNO 100I LARGE BBL
Minimum Sink Cabinet Size: **600mm**

- Handmade bowl welded to a pressed top frame
- Inset installation
- Satin finish
- Steel thickness 1.2mm
- 3 1/2" Basket strainer waste and concealed overflow included
- Maximiser plumbing kit included
- Individually boxed
- Template included
- Installation: Inset
- Insusound®



FORZAUNO 100I LARGE BBR
Minimum Sink Cabinet Size: **600mm**

- Handmade bowl welded to a pressed top frame
- Inset installation
- Satin finish
- Steel thickness 1.2mm
- 3 1/2" Basket strainer waste and concealed overflow included
- Maximiser plumbing kit included
- Individually boxed
- Template included
- Installation: Inset
- Insusound®



FORZADUO 150I BBL
Minimum Sink Cabinet Size: **600mm**

- Handmade bowl welded to a pressed top frame
- Inset installation
- Satin finish
- Steel thickness 1.2mm
- 3 1/2" Basket strainer waste and concealed overflow included
- Maximiser plumbing kit included
- Individually boxed
- Template included
- Installation: Inset
- Insusound®



FORZADUO 150I BBR
Minimum Sink Cabinet Size: **600mm**

- Handmade bowl welded to a pressed top frame
- Inset installation
- Satin finish
- Steel thickness 1.2mm
- 3 1/2" Basket strainer waste and concealed overflow included
- Maximiser plumbing kit included
- Individually boxed
- Template included
- Installation: Inset
- Insusound®





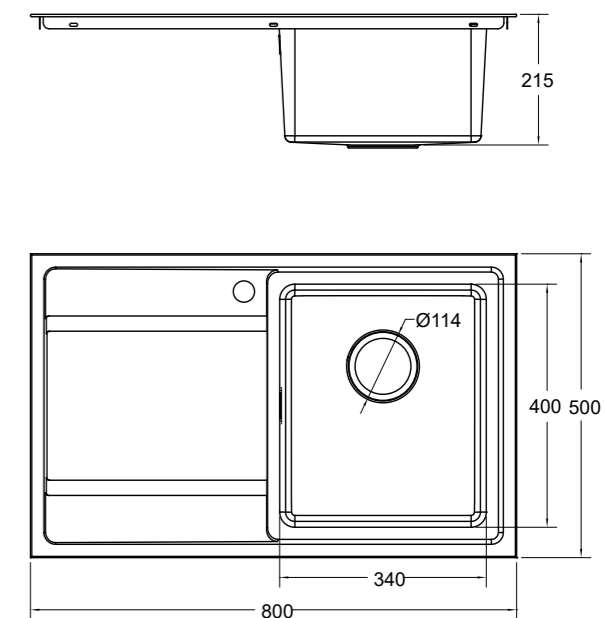
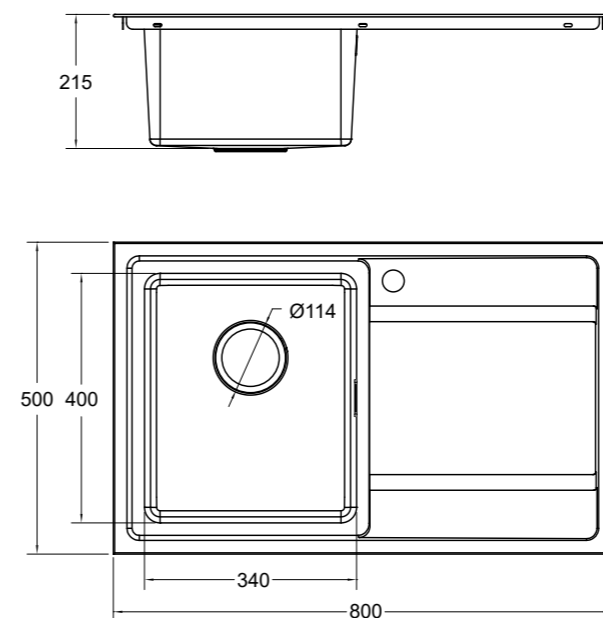
The Bordo Range

A range of inset sinks featuring the latest in contemporary design.



BORDOUNO 800I BBL
1810 Code BU/80/I/S/BBL/420

BORDOUNO 800I BBR
1810 Code BU/80/I/S/BBR/421



BORDOUNO 800I BBL
Minimum Sink Cabinet Size: 500mm

- Handmade bowl welded to a pressed top frame
- Inset installation
- Satin finish
- Steel thickness 1mm
- 3 1/2" basket strainer waste and concealed overflow included
- Maximiser plumbing kit included
- Individually boxed
- Template included
- Installation: Inset
- Insusound®



BORDOUNO 800I BBR
Minimum Sink Cabinet Size: 500mm

- Handmade bowl welded to a pressed top frame
- Inset installation
- Satin finish
- Steel thickness 1mm
- 3 1/2" basket strainer waste and concealed overflow included
- Maximiser plumbing kit included
- Individually boxed
- Template included
- Installation: Inset
- Insusound®





BORDOUNO 100I LARGE BBL

1810 Code BU/100/I/S/BBL/LGE/422

BORDOUNO 100I LARGE BBR

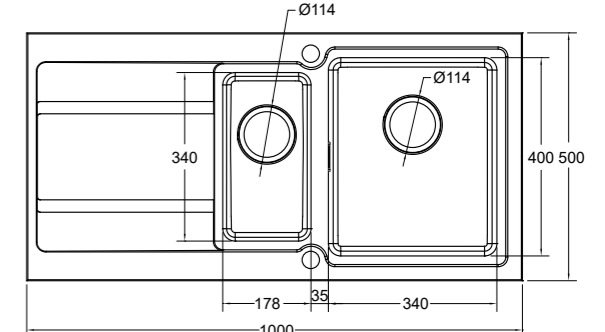
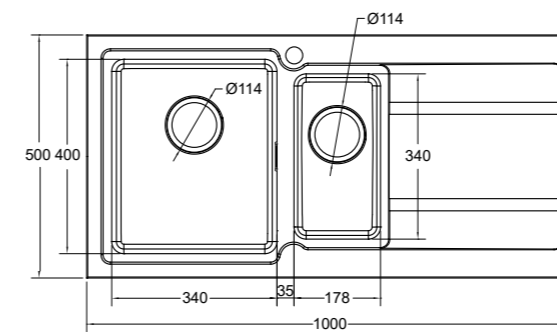
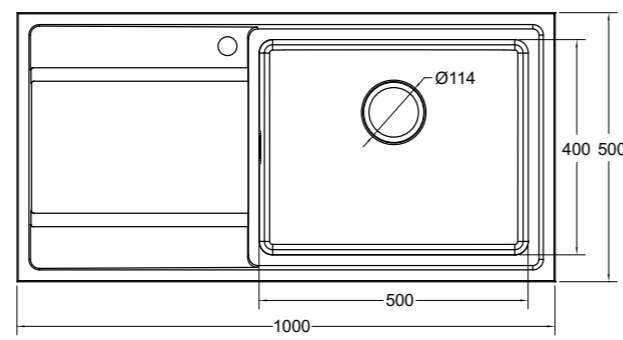
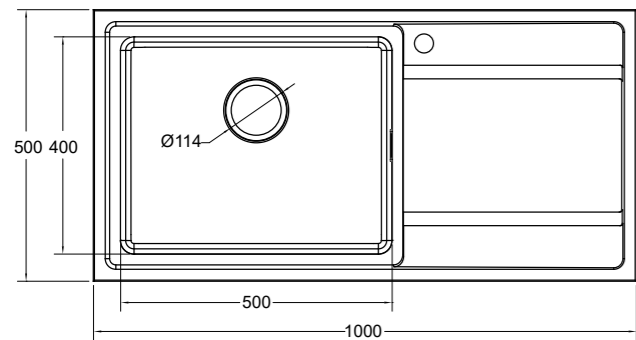
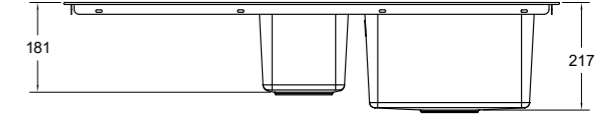
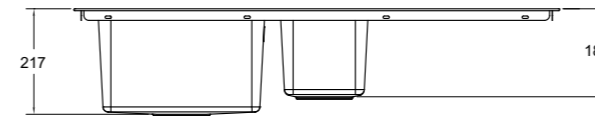
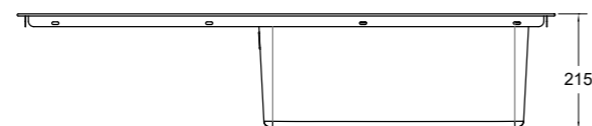
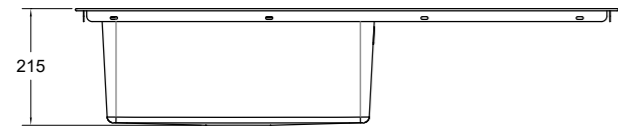
1810 Code BU/100/I/S/BBR/LGE/423

BORDODUO 150I BBL

1810 Code BD/150/I/S/BBL/424

BORDODUO 150I BBR

1810 Code BD/150/I/S/BBR/425



BORDOUNO 100I LARGE BBL

Minimum Sink Cabinet Size: **800mm**

- Handmade bowl welded to a pressed top frame
- Inset installation
- Satin finish
- Steel thickness 1mm
- 3 1/2" basket strainer waste and concealed overflow included
- Maximiser plumbing kit included
- Individually boxed
- Template included
- Installation: Inset
- Insusound®



BORDOUNO 100I LARGE BBR

Minimum Sink Cabinet Size: **800mm**

- Handmade bowl welded to a pressed top frame
- Inset installation
- Satin finish
- Steel thickness 1mm
- 3 1/2" basket strainer waste and concealed overflow included
- Maximiser plumbing kit included
- Individually boxed
- Template included
- Installation: Inset
- Insusound®



BORDODUO 150I BBL

Minimum Sink Cabinet Size: **600mm**

- Handmade bowl welded to a pressed top frame
- Inset installation
- Satin finish
- Steel thickness 1mm
- 3 1/2" basket strainer waste and concealed overflow included
- Maximiser plumbing kit included
- Individually boxed
- Template included
- Installation: Inset
- Insusound®



BORDODUO 150I BBR

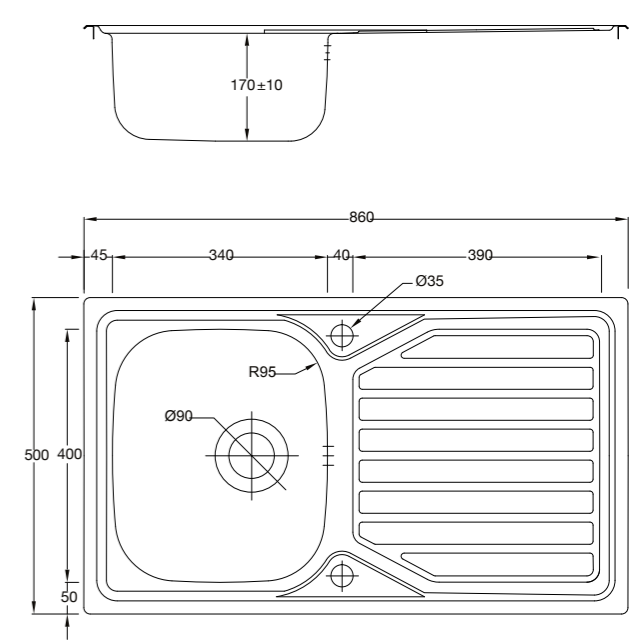
Minimum Sink Cabinet Size: **600mm**

- Handmade bowl welded to a pressed top frame
- Inset installation
- Satin finish
- Steel thickness 1mm
- 3 1/2" basket strainer waste and concealed overflow included
- Maximiser plumbing kit included
- Individually boxed
- Template included
- Installation: Inset
- Insusound®





VELOREUNO 860I REV
1810 Code VU/86/I/P/REV/047



VELOREUNO 860 I REV STAINLESS STEEL
Minimum Sink Cabinet Size: **500mm**
For accessories see page 151

- Inset bowl and drainer
- Satin finish
- 3 1/2" basket strainer waste and overflow included.
- Fixing kit
- Individually boxed.
- Single piece construction
- Steel thickness 0.8mm
- Maximiser plumbing kit included



The Velore Range

The Velore range combines modern design, high specification and competitive pricing.

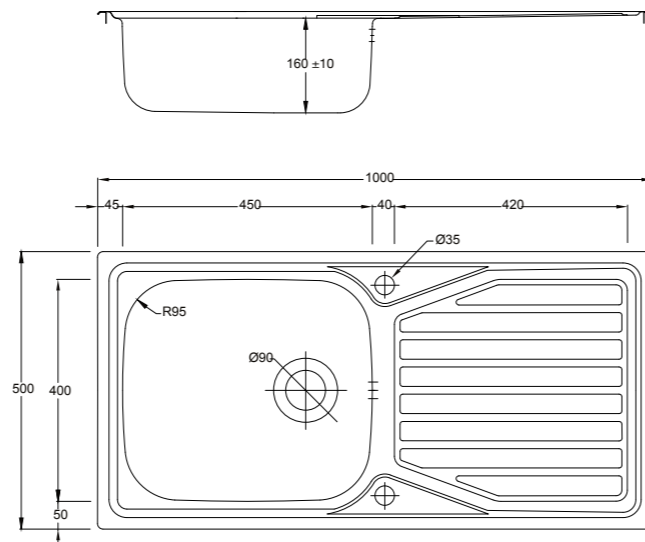
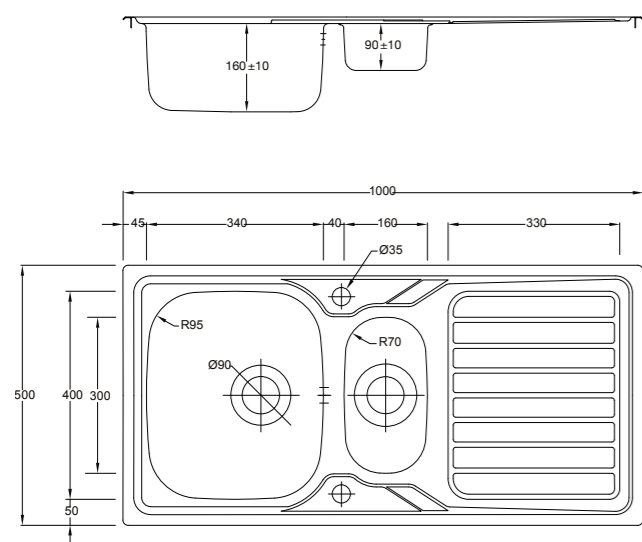


VELOREDUO 100I REV

1810 Code VD/100/I/P/REV/048

VELOREUNO 100I REV LARGE

1810 Code VU/100/I/P/REV/LGE/050



VELOREDUO 100I REV STAINLESS STEEL

Minimum Sink Cabinet Size: **600mm**
For accessories see page 151

- Inset bowl and drainer
- Satin finish
- 3 1/2" basket strainer waste and overflow included.
- Fixing kit
- Individually boxed.
- Single piece construction
- Steel thickness 0.8mm
- Maximiser plumbing kit included



VELOREUNO 100I REV LARGE STAINLESS STEEL

Minimum Sink Cabinet Size: **600mm**
For accessories see page 151

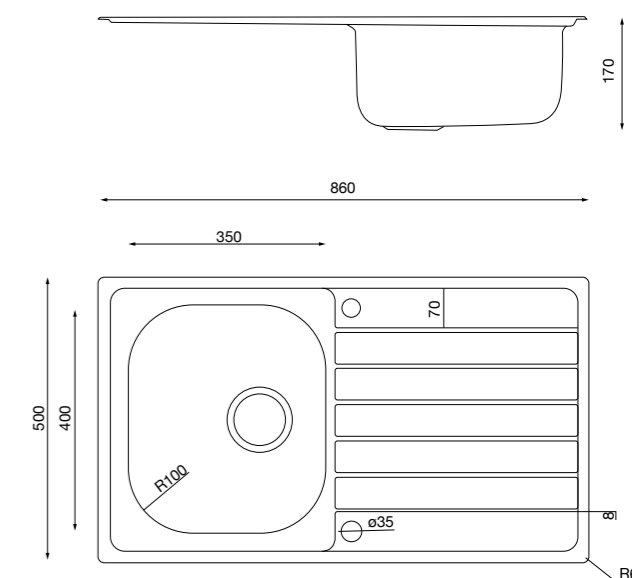
- Inset bowl and drainer
- Satin finish
- 3 1/2" basket strainer waste and overflow included.
- Fixing kit
- Individually boxed.
- Single piece construction
- Steel thickness 0.8mm
- Maximiser plumbing kit included





BILANCIUNO 860I REV
1810 Code BIU/86/I/REV/430

NEW



BILANCIUNO 860I REV STAINLESS STEEL

Minimum Sink Cabinet Size: 500mm

- Inset bowl and drainer
- Satin finish
- 3 1/2" basket strainer waste and overflow included
- Fixing kit
- Single piece construction
- Steel thickness 0.8mm



Plumbing kit can be bought separately.

The Bilancio Range

A range of inset sinks combining durability and a sleek design.

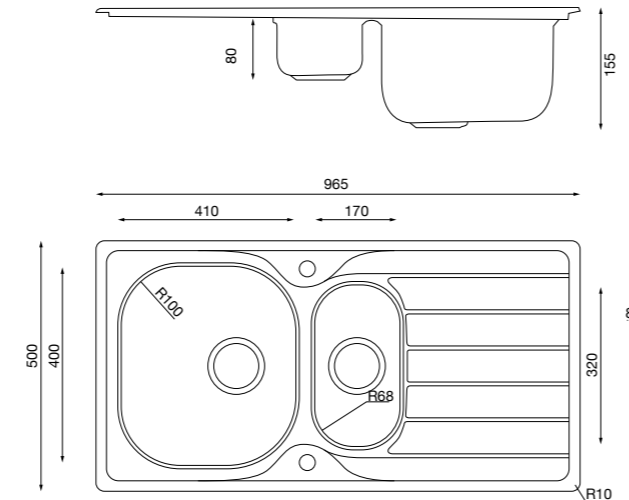
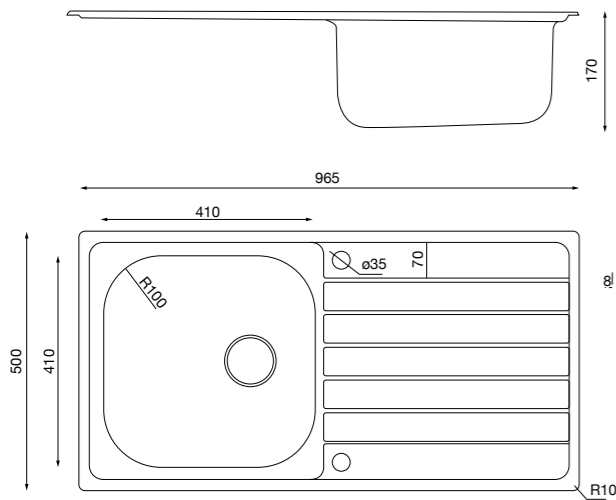


BILANCIUNO 965I REV
1810 Code BIU/96/I/REV/431

NEW

BILANCIDUO 965I REV
1810 Code BID/96/I/REV/432

NEW



BILANCIUNO 965I REV STAINLESS STEEL

Minimum Sink Cabinet Size: **550mm**

- Inset bowl and drainer
- Satin finish
- 3 1/2" basket strainer waste and overflow included
- Fixing kit
- Single piece construction
- Steel thickness 0.8mm

Plumbing kit can be bought separately.



BILANCIDUO 965I REV STAINLESS STEEL

Minimum Sink Cabinet Size: **600mm**

- Inset bowl and drainer
- Satin finish
- 3 1/2" basket strainer waste and overflow included
- Fixing kit
- Single piece construction
- Steel thickness 0.8mm

Plumbing kit can be bought separately.



The Zen Contratto Range

A range of competitively priced, handmade sinks specifically designed for the contract market.

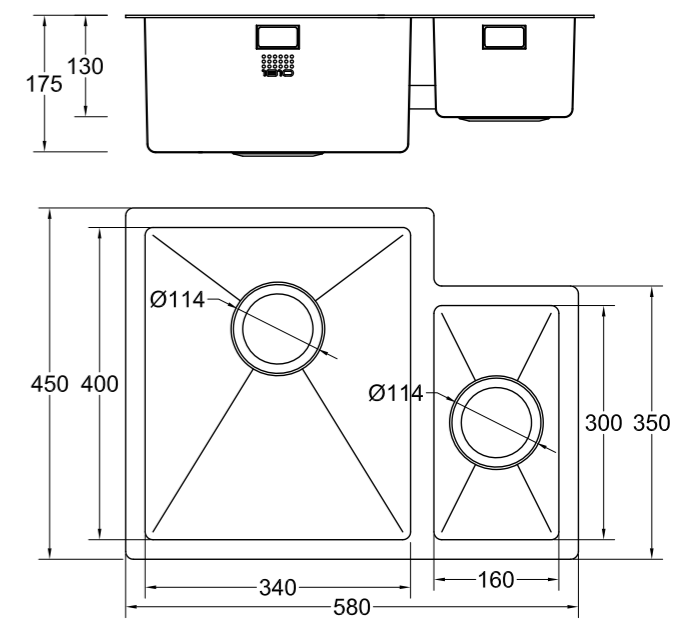
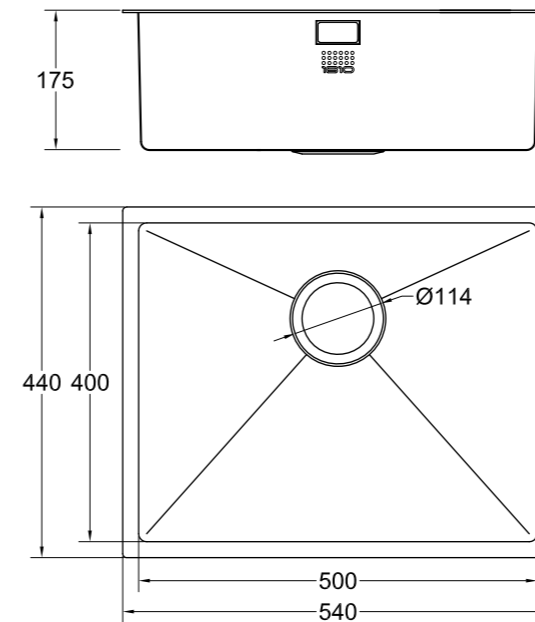
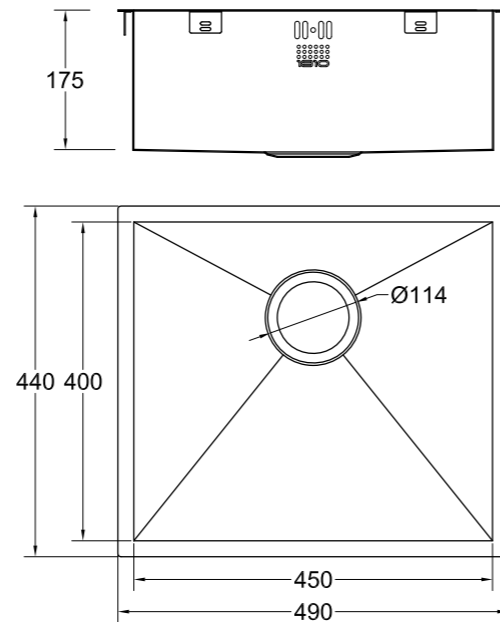
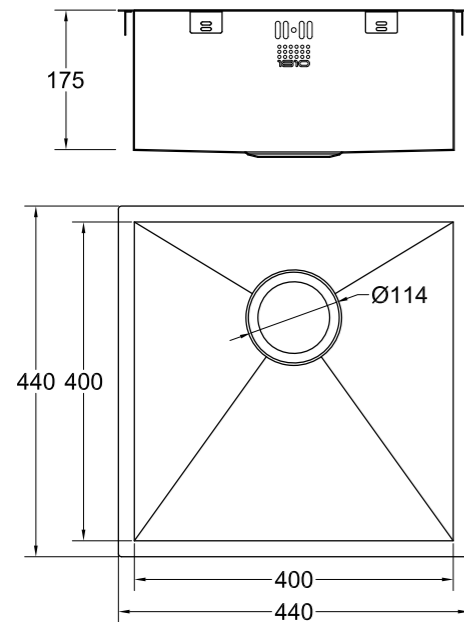


ZEN CONTRATTO 400U
1810 Code ZUC/40/U10/S/284

ZEN CONTRATTO 450U
1810 Code ZUC/45/U10/S/285

ZEN CONTRATTO 500U
1810 Code ZUC/50/U10/S/286

ZEN CONTRATTO 340/160 BBL
1810 Code ZDC/3416/U10/S/BBL/282



ZENUNO CONTRATTO 400U
STAINLESS STEEL
Minimum Sink Cabinet Size: **450mm**

- Handmade undermount bowl
- Top deck 3mm thick / sink bowl 1mm thick
- 10R internal corners
- Satin finish
- Please note, the waste tidy needs to be purchased separately
- Must be ordered in pallet quantities (can be mixed Contratto models)
- Plumbing kit ordered separately (MPK1-2 & CPK1-2)



ZENUNO CONTRATTO 450U
STAINLESS STEEL
Minimum Sink Cabinet Size: **500mm**

- Handmade undermount bowl
- Top deck 3mm thick / sink bowl 1mm thick
- 10R internal corners
- Satin finish
- Please note, the waste tidy needs to be purchased separately
- Must be ordered in pallet quantities (can be mixed Contratto models)
- Plumbing kit ordered separately (MPK1-2 & CPK1-2)



ZENUNO CONTRATTO 500U
STAINLESS STEEL
Minimum Sink Cabinet Size: **600mm**

- Handmade undermount bowl
- Top deck 3mm thick / sink bowl 1mm thick
- 10R internal corners
- Satin finish
- Please note, the waste tidy needs to be purchased separately
- Must be ordered in pallet quantities (can be mixed Contratto models)
- Plumbing kit ordered separately (MPK1-2 & CPK1-2)



ZENDUO CONTRATTO 340/160U BBL
Minimum Sink Cabinet Size: **600mm**

- Handmade undermount bowl
- Top deck 3mm thick / sink bowl 1mm thick
- 10R internal corners
- Satin finish
- Please note, the waste tidy needs to be purchased separately
- Must be ordered in pallet quantities (can be mixed Contratto models)
- Plumbing kit ordered separately (MPK1-2 & CPK1-2)





ZEN CONTRATTO 160/340 BBR

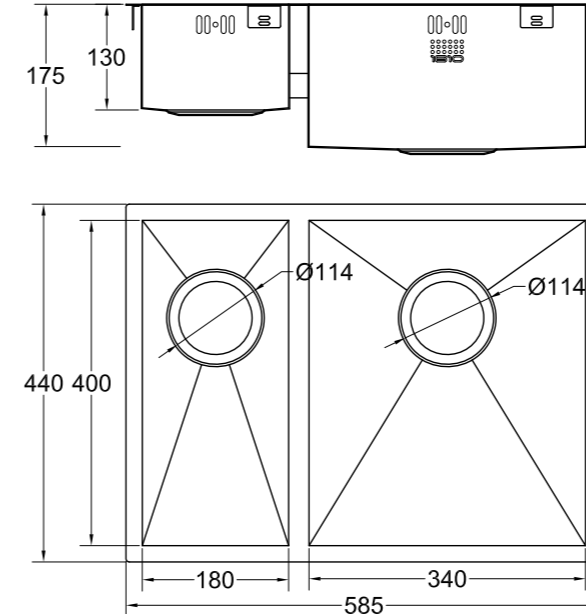
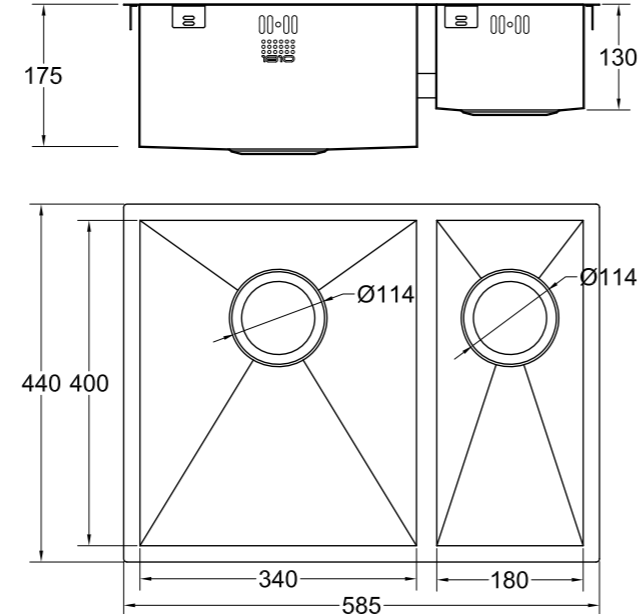
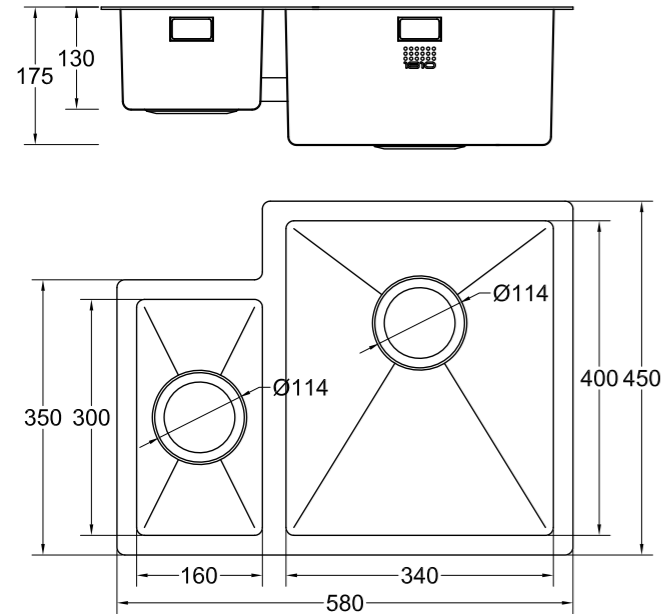
1810 Code ZDC/1634/U10/S/BBR/280

ZEN CONTRATTO 340/180U BBL

1810 Code ZDC/3418/U10/S/BBL/283

ZEN CONTRATTO 180/340U BBR

1810 Code ZDC/1834/U10/S/BBR/281



ZENDUO CONTRATTO 160/340U BBR

Minimum Sink Cabinet Size: **600mm**

- Handmade undermount bowl
- Top deck 3mm thick / sink bowl 1mm thick
- 10R internal corners
- Satin finish
- Please note, the waste tidy needs to be purchased separately
- Must be ordered in pallet quantities (can be mixed Contratto models)
- Plumbing kit ordered separately (MPK1-2 & CPK1-2)



ZENDUO CONTRATTO 340/180U BBL

Minimum Sink Cabinet Size: **600mm**

- Handmade undermount bowl
- Top deck 3mm thick / sink bowl 1mm thick
- 10R internal corners
- Satin finish
- Please note, the waste tidy needs to be purchased separately
- Must be ordered in pallet quantities (can be mixed Contratto models)
- Plumbing kit ordered separately (MPK1-2 & CPK1-2)



ZENDUO CONTRATTO 180/340U BBR

Minimum Sink Cabinet Size: **600mm**

- Handmade undermount bowl
- Top deck 3mm thick / sink bowl 1mm thick
- 10R internal corners
- Satin finish
- Please note, the waste tidy needs to be purchased separately
- Must be ordered in pallet quantities (can be mixed Contratto models)
- Plumbing kit ordered separately (MPK1-2 & CPK1-2)





The Maya Range

Purquartz belfast sink with 0%-dimension tolerance.

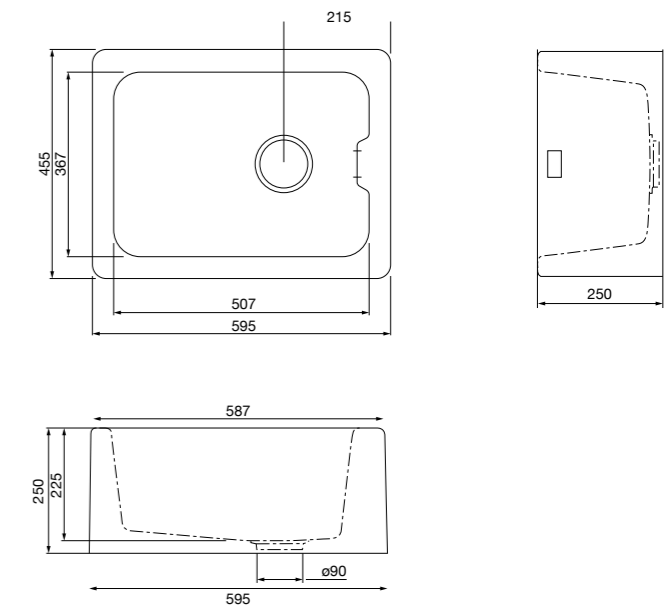
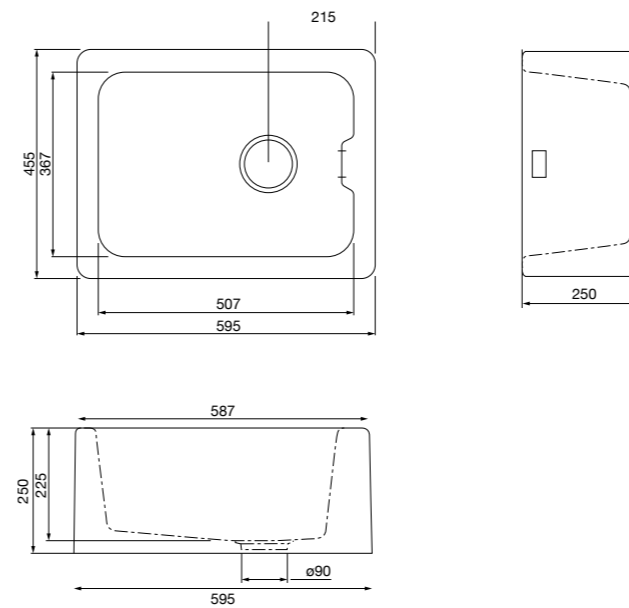


MAYA 595 PURQUARTZ BELFAST - WHITE
1810 Code MU/595/BEL/WH/1000

NEW

MAYA 595 PURQUARTZ BELFAST - BLACK
1810 Code MU/595/BEL/BL/1001

NEW



MAYA 595 PURQUARTZ BELFAST WHITE

Minimum Sink Cabinet Size: **600mm**
For accessories see page 151

- Quartz Belfast Sink
- Sit-on Installation
- Reversible
- Dimensions 595x455x250mm
- Bowl Size: 507x367x225mm

Plumbing kit can be purchased separately.



MAYA 595 PURQUARTZ BELFAST BLACK

Minimum Sink Cabinet Size: **600mm**
For accessories see page 151

- Quartz Belfast Sink
- Sit-on Installation
- Reversible
- Dimensions 595x455x250mm
- Bowl Size: 507x367x225mm

Plumbing kit can be purchased separately.



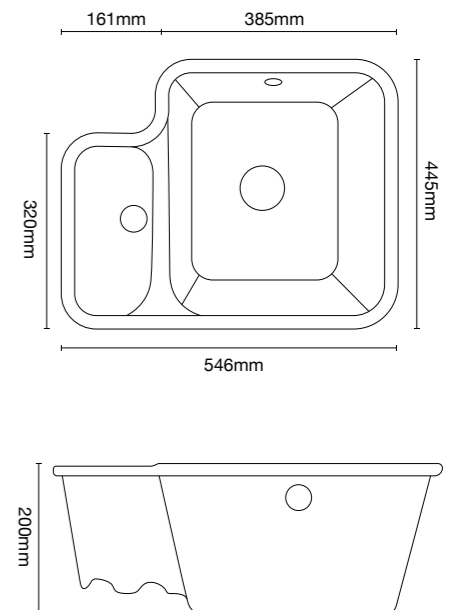


The Etro Ceramic Range

A classic curved design providing an ultra-smooth white surface and ultimate durability.



ETRODUO 343/136UC CERAMIC
1810 Code ED/3413/U/C/091-WH



ETRODUO 343/136UC (CERAMIC 1.5 BOWL) WHITE

Minimum Sink Cabinet Size: **600mm**
For accessories see page 151

- Undermount ceramic bowl
- Heat resistant to 1200°C
- Hygienic
- Non Porous
- Ultra smooth white surface
- Chemical resistant, inc neat bleach
- Extremely hardwearing
- Individually boxed
- 3 1/2" basket strainer waste and overflow included
- G Clip installation recommended
- Maximiser plumbing kit included
- Gold effect basket strainer waste complete with overflow also available





The Argilla Fireclay Range

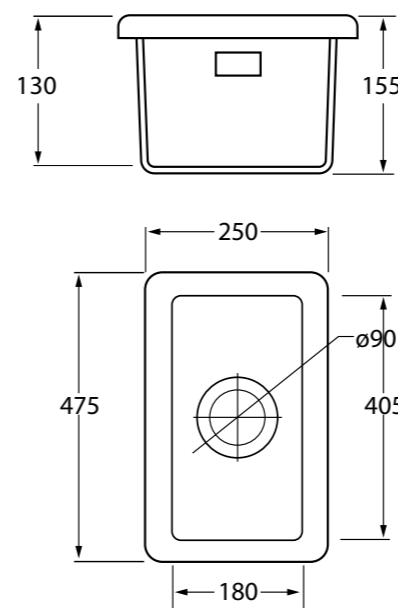
A range of highly durable fireclay sinks featuring a non-porous surface with an everlasting shine.



ARGILLA FIRECLAY 250
1810 Code FCU/250/WH/851



ARGILLA FIRECLAY 450
1810 Code FCU/450/WH/852

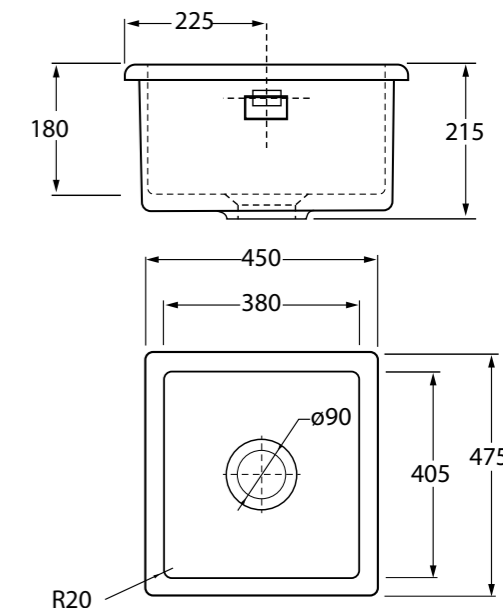


ARGILLA FIRECLAY 250

Minimum cabinet size: **300mm**
For accessories see page 151



- White fireclay bowl
- Suitable for top or undermount installation
- Hygienic
- Non-porous
- Chemical resistant
- Extremely hardwearing
- Tolerances: +/-2% of dimensions
- Wastes not included
- Heat resistant to 1600°C
- G Clip installation recommended
- Basket strainer waste complete with overflow available in stainless steel, copper, gunmetal and gold brass
- Basket strainer waste kits must be ordered separately



ARGILLA FIRECLAY 450

Minimum cabinet size: **500mm**
For accessories see page 151



- White fireclay bowl
- Suitable for top or undermount installation
- Hygienic
- Non-porous
- Chemical resistant
- Extremely hardwearing
- Tolerances: +/-2% of dimensions
- Wastes not included
- Heat resistant to 1600°C
- G Clip installation recommended
- Basket strainer waste complete with overflow available in stainless steel, copper, gunmetal and gold brass
- Basket strainer waste kits must be ordered separately

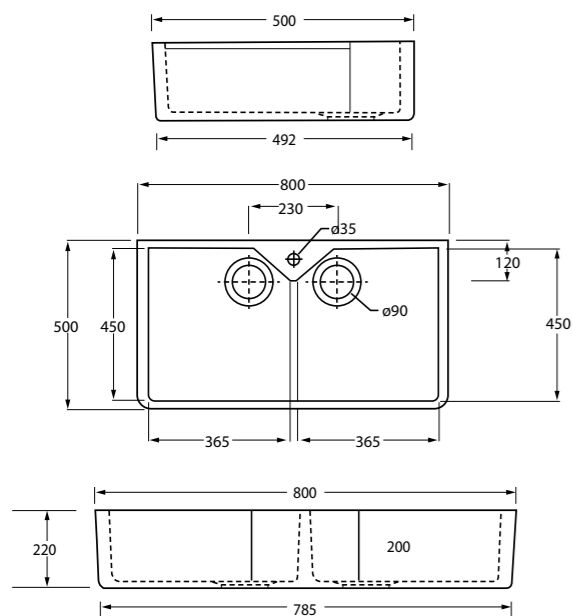


ARGILLA FIRECLAY 800

1810 Code FCD/800/WH853

ARGILLA FIRECLAY 595

1810 Code FCU/595/BEL/WH/850

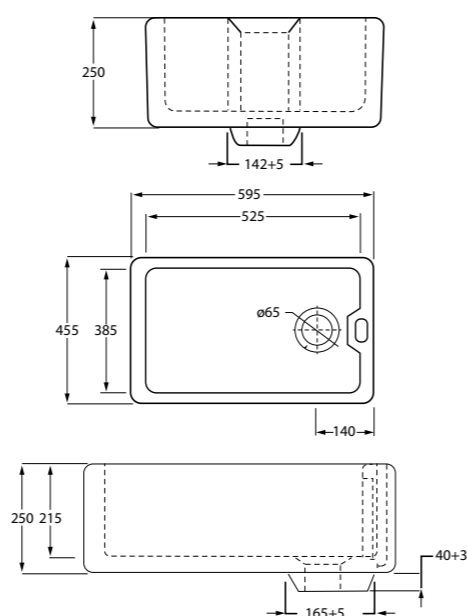


ARGILLA FIRECLAY 800

For accessories see page 151



- White fireclay double bowl
- Sit-on installation
- Hygienic
- Non-porous
- Chemical resistant
- Extremely hardwearing
- Tolerances: +/-2% of dimensions
- Wastes not included
- Heat resistant to 1600°C
- Reversible
- Basket strainer waste complete with overflow available in stainless steel, copper, gunmetal and gold brass
- Basket strainer waste kits must be ordered separately



ARGILLA FIRECLAY 595

For accessories see page 151



- White fireclay Belfast sink
- Sit-on installation
- Weir overflow
- Hygienic
- Non-porous
- Chemical resistant
- Extremely hardwearing
- Tolerances: +/-2% of dimensions
- Wastes not included
- Heat resistant to 1600°C
- Reversible
- Basket strainer waste complete with overflow available in stainless steel, copper, gunmetal and gold brass
- Basket strainer waste kits must be ordered separately





The 1810 Taps Range

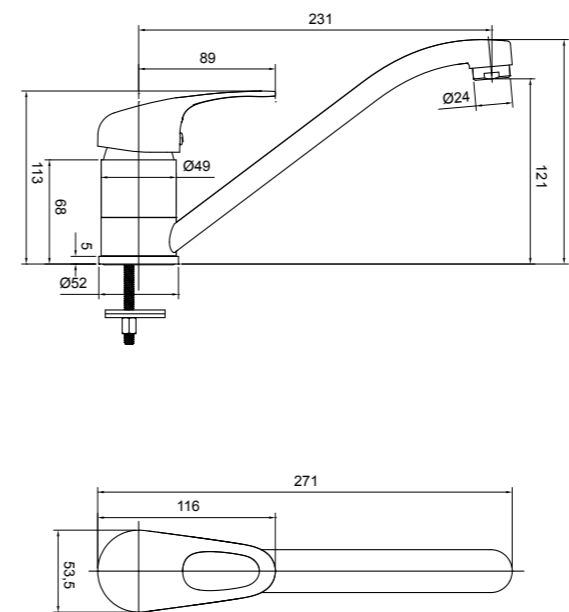
1810 taps come in a variety of contemporary and classic designs, all come with a Neoperl Aerator which produces a non-splash creamy flow.



2 year guarantee increased to 5 years when purchased and fitted with Tap Particle Filter



FONTAINE SINGLE LEVER CHROME
1810 Code FON/01/CH



FONTAINE SINGLE LEVER CHROME

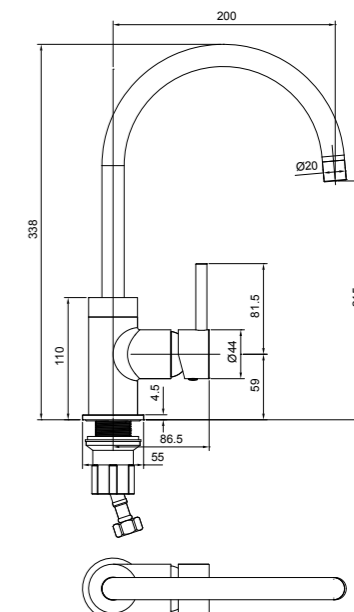
- WRAS Approved
- Includes Neoperl Aerator & 1/2" flexible tails
- Min operating pressure 0.5 bar
- Recommended operating pressure - 1 bar



2 year guarantee increased to 5 years when purchased and fitted with Tap Particle Filter



COURBE CURVED SPOUT CHROME
1810 Code COU/01/CH



COURBE CURVED SPOUT CHROME

- WRAS Approved
- Includes Neoperl Aerator & 1/2" flexible tails
- Min operating pressure 0.5 bar
- Recommended operating pressure - 1 bar

Also available in:



Brushed Steel
COU/02/BS



Copper
COU/04/COP



Gunmetal
COU/05/GM



Gold Brass
COU/06/GB



Matte Black
COU/07/MB



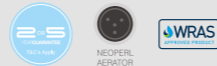
Brushed Gold Brass
COU/08/BGB



2 year guarantee increased to 5 years when purchased and fitted with Tap Particle Filter



2 year guarantee increased to 5 years when purchased and fitted with Tap Particle Filter



2 year guarantee increased to 5 years when purchased and fitted with Tap Particle Filter



2 year guarantee increased to 5 years when purchased and fitted with Tap Particle Filter



CASCATA SQUARE SPOUT CHROME

1810 Code CAS/01/CH

PLUIE ANGLED SPOUT CHROME

1810 Code PLU/01/CH

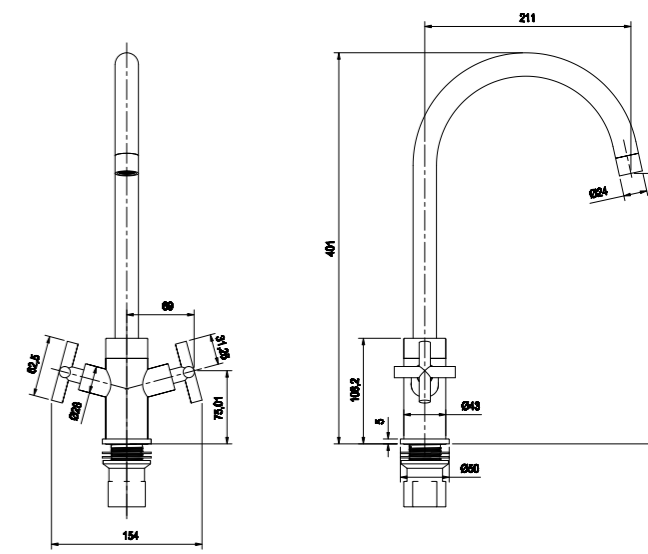
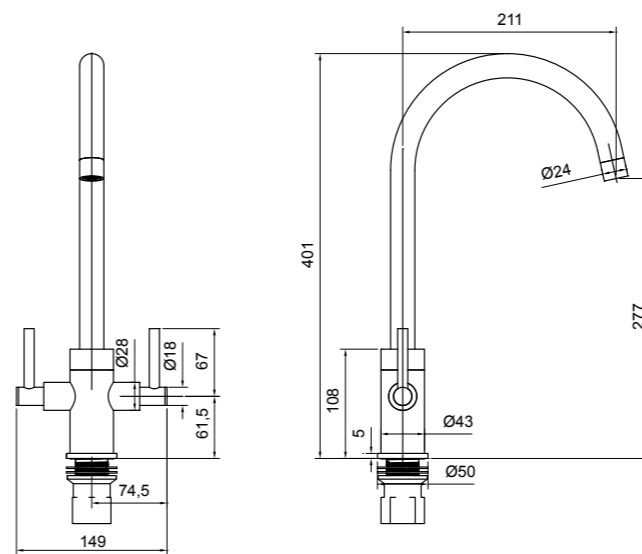
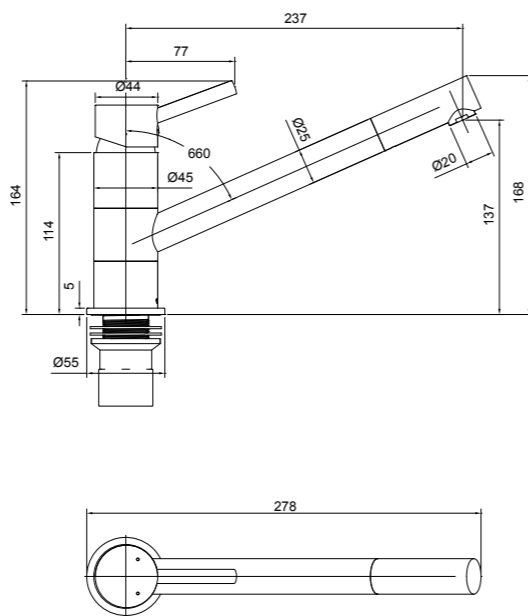
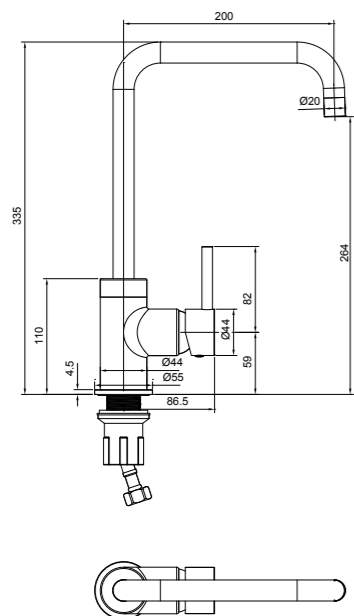
CURVATO SLIM LEVER CURVED SPOUT CHROME

1810 Code CUR/01/CH

CURVATO CROSS BRUSHED STEEL

1810 Code CUR-CROSS/02/BS

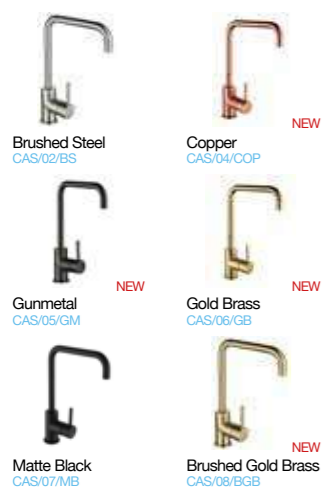
NEW



CASCATA SQUARE SPOUT CHROME

- WRAS Approved
- Includes Neoperl Aerator & 1/2" flexible tails
- Min operating pressure 0.5 bar
- Recommended operating pressure - 1 bar

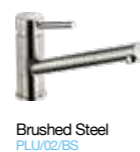
Also available in:



PLUIE ANGLED SPOUT CHROME

- WRAS Approved
- Includes Neoperl Aerator & 1/2" flexible tails
- Min operating pressure 0.5 bar
- Recommended operating pressure - 1 bar

Also available in:



CURVATO SLIM LEVER CURVED SPOUT CHROME

- WRAS Approved
- Includes Neoperl Aerator and 1/2" flexible tails
- Min operating pressure 0.5 bar
- Recommended operating pressure 1 bar

Also available in:

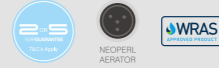


CURVATO CROSS BRUSHED STEEL

- WRAS approved
- Min. Operating pressure: 0.5bar
- Recommended operating pressure: 1 bar
- Includes Neoperl Aerator and 1/2" flexible tails



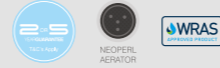
2 year guarantee increased to 5 years when purchased and fitted with Tap Particle Filter



RUSCELLO SQUARE BODY SLIM LEVER CHROME
1810 Code RUS/01/CH



2 year guarantee increased to 5 years when purchased and fitted with Tap Particle Filter



DAVANTI SINGLE LEVER CHROME
1810 Code DAV/01/CH



2 year guarantee increased to 5 years when purchased and fitted with Tap Particle Filter



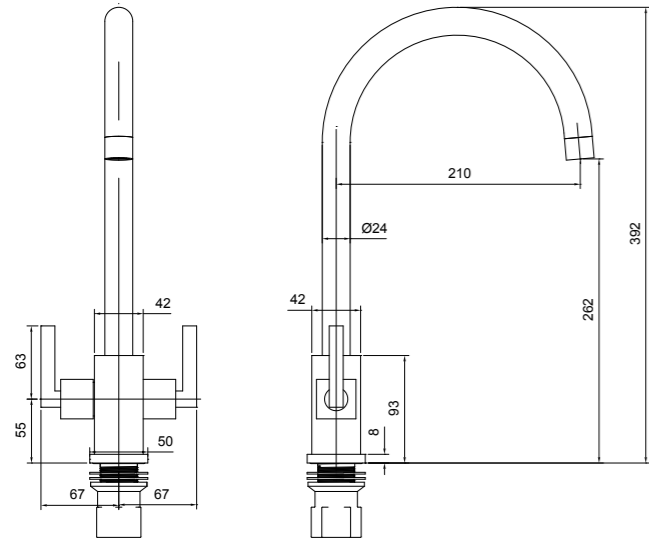
VERSARE SQUARE DESIGN CHROME
1810 Code VER/01/CH



2 year guarantee increased to 5 years when purchased and fitted with Tap Particle Filter



1810XXX CHROME SINGLE LEVER
1810 Code SEN/01/CH



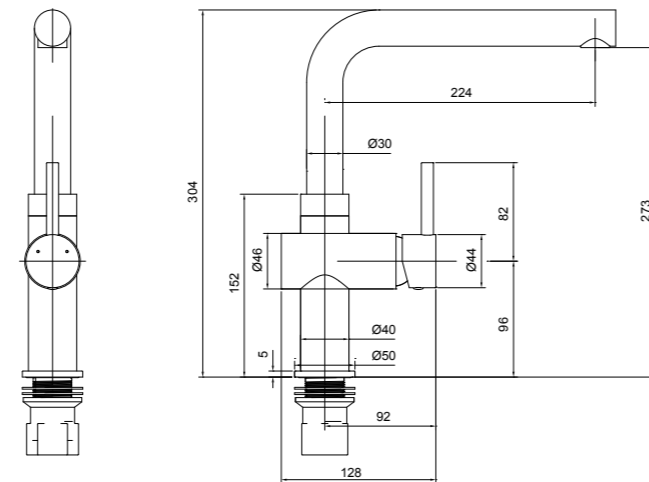
RUSCELLO SQUARE BODY SLIM LEVER CHROME

- WRAS Approved
- Includes Neoperl Aerator and 1/2" flexible tails
- Min operating pressure 0.5 bar
- Recommended operating pressure 1 bar

Also available in:



Brushed Steel
RUS/02/BS



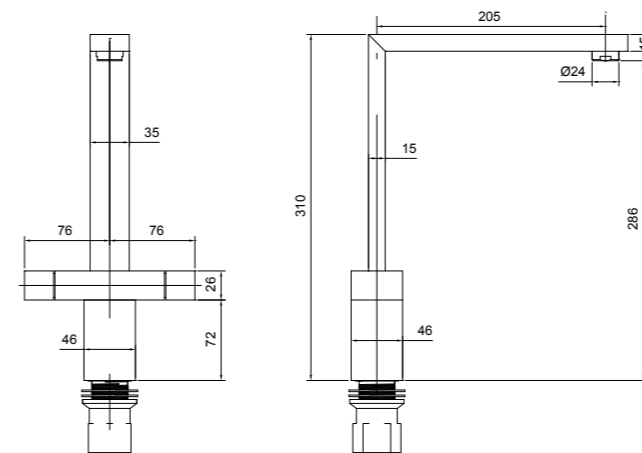
DAVANTI SINGLE LEVER CHROME

- Includes Neoperl Aerator and 1/2" flexible tails
- Min operating pressure 0.5bar
- Recommended operating pressure 1 bar

Also available in:



Brushed Steel
DAV/02/BS



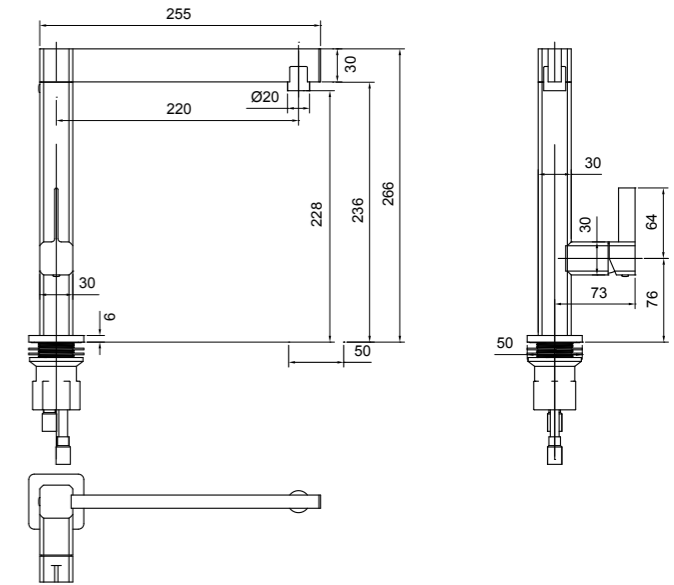
VERSARE SQUARE DESIGN CHROME

- WRAS Approved
- Includes Neoperl Aerator & 1/2" flexible tails
- Min operating pressure 0.5 bar
- Recommended operating pressure 1 bar

Also available in:



Brushed Steel
VER/02/BS



1810XXX CHROME SINGLE LEVER

- WRAS Approved
- Includes Neoperl Aerator & 1/2" flexible tails
- Min operating pressure 0.5 bar
- Recommended operating pressure 1 bar

Also available in:



Brushed Steel
SEN/02/BS



2 year guarantee increased to 5 years when purchased and fitted with Tap Particle Filter



PENZA ANGLED SPOUT CHROME

1810 Code PEN/01/CH



2 year guarantee increased to 5 years when purchased and fitted with Tap Particle Filter

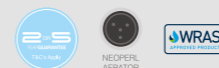


AERO 3 HOLE TAP CHROME

1810 Code AER/01/CH



2 year guarantee increased to 5 years when purchased and fitted with Tap Particle Filter



FINIRE KNURLED TWO HOLE TAP CHROME

1810 Code FIN/01/CH

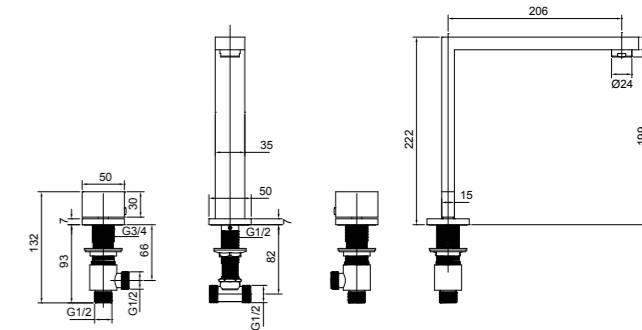
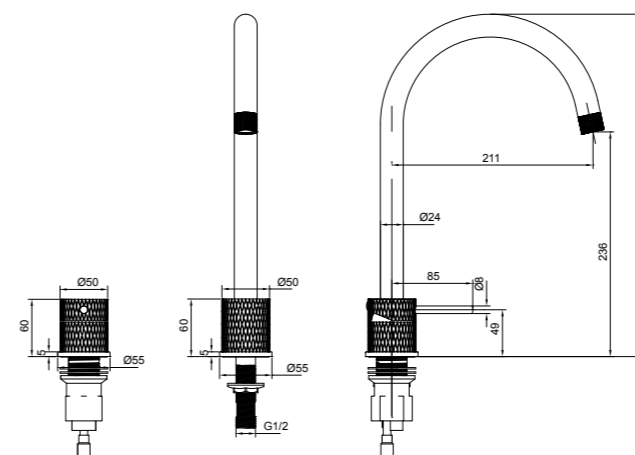
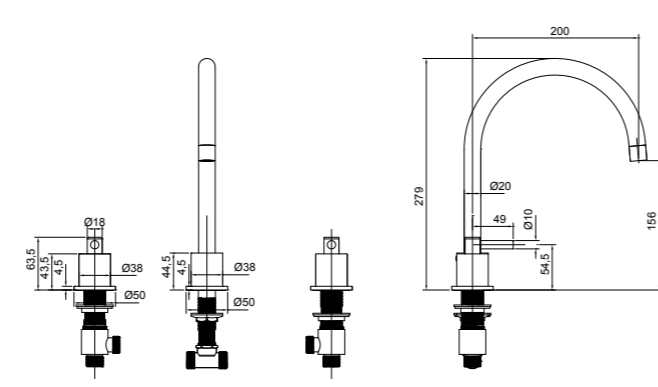
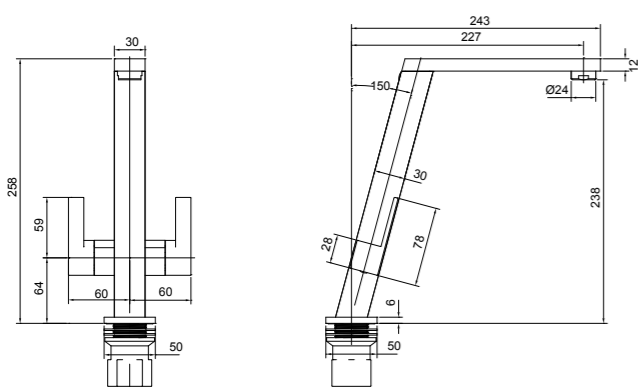


2 year guarantee increased to 5 years when purchased and fitted with Tap Particle Filter



NOVANTA 4 HOLE DESIGN (INC. HAND SPRAY) CHROME

1810 Code NOV/01/CH



PENZA ANGLED SPOUT CHROME

- WRAS Approved
- Includes Neoperl Aerator & 1/2" flexible tails
- Min operating pressure 0.5 bar
- Recommended operating pressure 1 bar

Also available in:



Brushed Steel
PEN/02/BS

AERO 3 HOLE TAP CHROME

- Includes Neoperl Aerator and 1/2" flexible tails
- Min operating pressure 0.5 bar
- Recommended operating pressure 1 bar

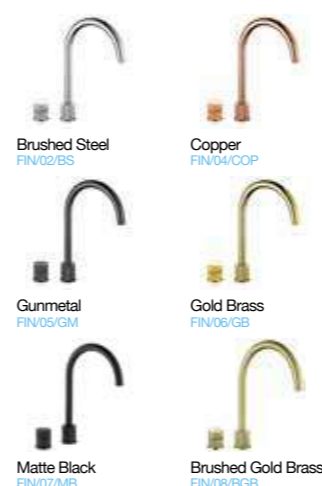
Also available in:



FINIRE KNURLED TWO HOLE TAP CHROME

- Includes Neoperl Aerator and 1/2" flexible tails
- Min operating pressure 0.5 bar
- Recommended operating pressure 1 bar

Also available in:



NOVANTA 4 HOLE DESIGN (INC. HAND SPRAY) CHROME

- WRAS Approved
- Includes Neoperl Aerator and 1/2" flexible tails
- Min operating pressure 0.5 bar
- Recommended operating pressure 1 bar

Also available in:



Brushed Steel
NOV/02/BS



2 year guarantee increased to 5 years when purchased and fitted with Tap Particle Filter



2 year guarantee increased to 5 years when purchased and fitted with Tap Particle Filter



2 year guarantee increased to 5 years when purchased and fitted with Tap Particle Filter



2 year guarantee increased to 5 years when purchased and fitted with Tap Particle Filter



DAVANTI PULL OUT SPRAY CHROME

1810 Code DAV-P/01/CH

GRANDE PULL OUT SPRAY CHROME

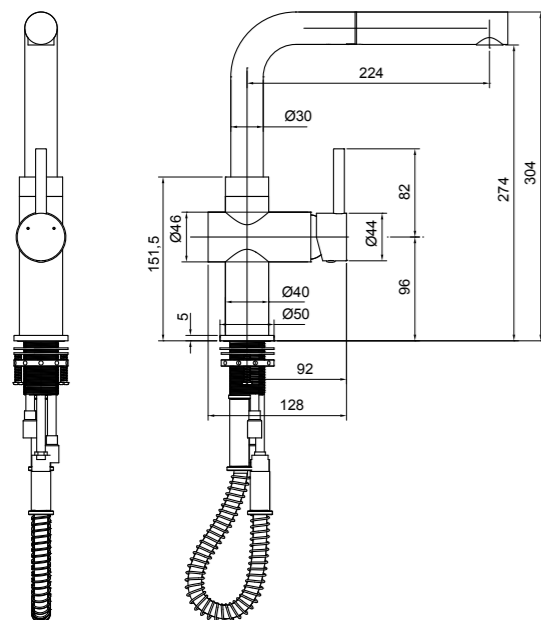
1810 Code GRA/01/CH

SPRUZZO COLD RINSE HANDSPRAY CHROME

1810 Code SPR/01/CH

CURVATO TRIO WATER FILTER CHROME

1810 Code CUR/01/CH-TRIO



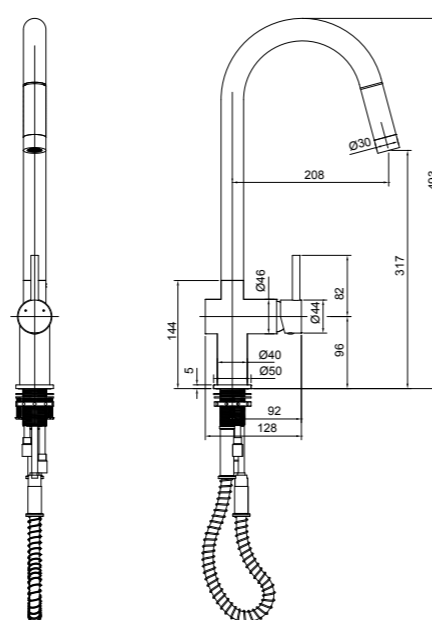
DAVANTI PULL OUT SPRAY CHROME

- Includes Neoperl Aerator and 1/2" flexible tails
- Min operating pressure 0.5bar
- Recommended operating pressure 1 bar

Also available in:



Brushed Steel
DAV-P/02/BS



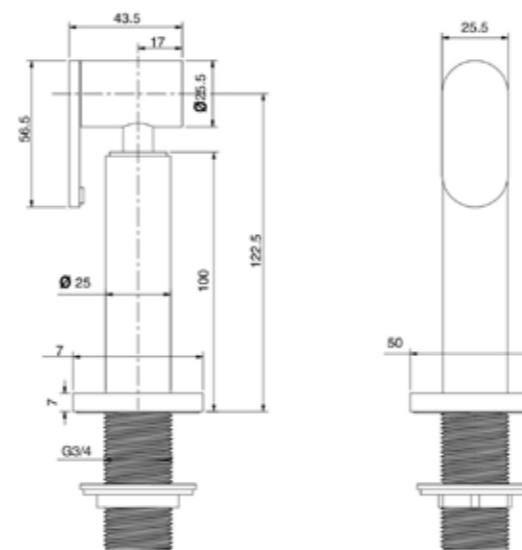
GRANDE PULL OUT SPRAY CHROME

- Includes Neoperl Aerator and 1/2" flexible tails
- Min operating pressure 0.5bar
- Recommended operating pressure 1 bar

Also available in:



Brushed Steel
GRA/02/BS



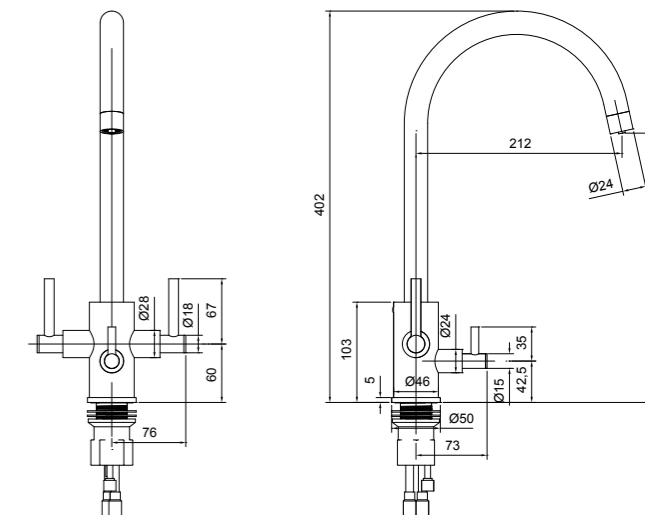
SPRUZZO COLD RINSE HANDSPRAY CHROME

- Includes Neoperl Aerator and 1/2" flexible tailsIncludes pressure regulating valve
- Min operating pressure 0.5 bar
- Recommended operating pressure 1 bar

Also available in:



Brushed Steel
SPR/02/BS



CURVATO TRIO WATER FILTER CHROME

- Includes Neoperl Aerator & 1/2" flexible tails
- Min operating pressure 0.5 bar
- This filter is designed to provide up to 1000 litres of purified fresh drinking water.
- It is recommended you change the filter every 6 months even if you have not used the full 1000 litre allowance.
- The filter uses activated carbon to remove impurities like chlorine and rust.
- You can change the filter with a simple push and twist action.
- Recommended operating pressure - 1 bar

Also available in:



Brushed Steel
CUR/02/BS-TRIO



£5 donated for every filter tap sold

Image credit: Makers (Instagram: makers.uk)

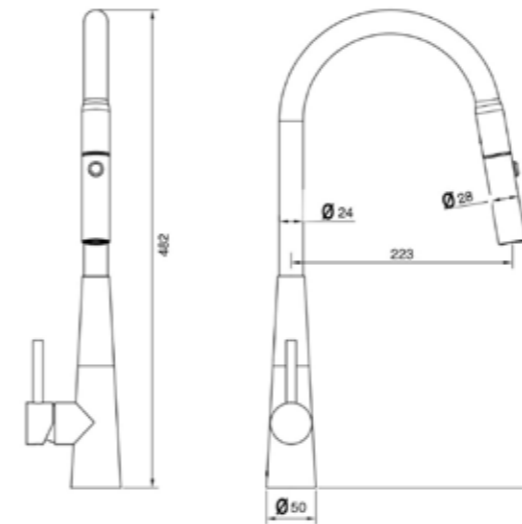


ESTRARRE QFIT FLEX RETRACTABLE TAP - BRUSHED STEEL
1810 Code EST/02/BS

NEW

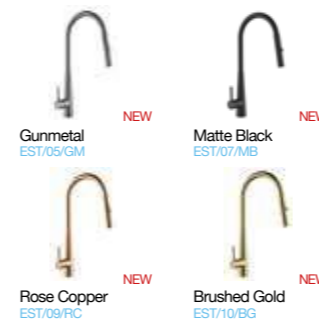
RITRARRE QFIT FLEX RETRACTABLE TAP - BRUSHED STEEL
1810 Code RIT/02/BS

NEW

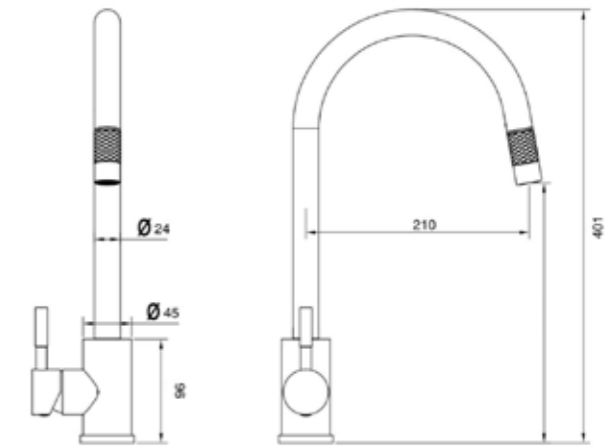


ESTRARRE QFIT FLEX RETRACTABLE TAP - BRUSHED STEEL

Also available in:

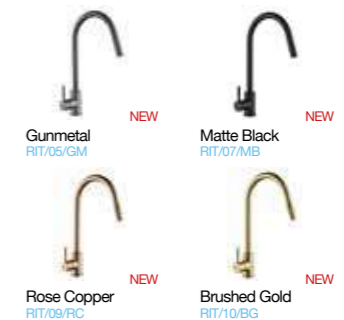


- QFIT taps supplied fully pre-assembled
- Reduced installation time - less than 3 minutes
- One-man fit
- Easy installation from above worksurface area
- Torque tightened for maximum reliability
- 100% safe and approved installation method
- Eliminates remedial works
- WRAS Approved
- Includes Neoperl Aerator & 1/2" flexible tails
- Min operating pressure 0.5 bar
- Recommended operating pressure 1 bar



RITRARRE QFIT FLEX RETRACTABLE TAP - BRUSHED STEEL

Also available in:



- QFIT taps supplied fully pre-assembled
- Reduced installation time - less than 3 minutes
- One-man fit
- Easy installation from above worksurface area
- Torque tightened for maximum reliability
- 100% safe and approved installation method
- Eliminates remedial works
- WRAS Approved
- Includes Neoperl Aerator & 1/2" flexible tails
- Min operating pressure 0.5 bar
- Recommended operating pressure 1 bar



The QFit Flex Range

QFit Flex self-contained retractable spout technology eliminates the need for a lengthy pull-out hose and weights thereby offering a space-saving



The CRISTALITE®-Inspired Range

A range of CRISTALITE®-inspired taps to complement your SCHOCK CRISTALITE® sink.



2 year guarantee increased to 5 years when purchased and fitted with Tap Particle Filter



CASCATA CHROME/ALPINA

1810 Code CAS/01/CH/S/GDW

NEW



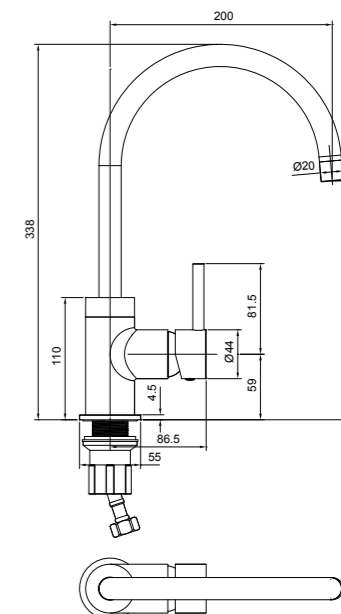
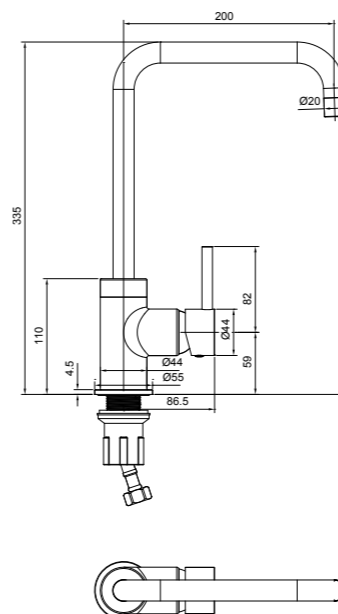
2 year guarantee increased to 5 years when purchased and fitted with Tap Particle Filter



COURBE CHROME/ALPINA

1810 Code COU/01/CH/S/GDW

NEW



CASCATA CHROME ALPINA

- WRAS Approved
- Includes Neoperl Aerator and 1/2" flexible tails
- Min operating pressure-0.5bar
- Recommended operating pressure - 1 bar



COURBE CHROME ALPINA

- WRAS Approved
- Includes Neoperl Aerator and 1/2" flexible tails
- Min operating pressure-0.5bar
- Recommended operating pressure - 1 bar





The Spirale Range

With a flexible hose in over 300 different configurations.

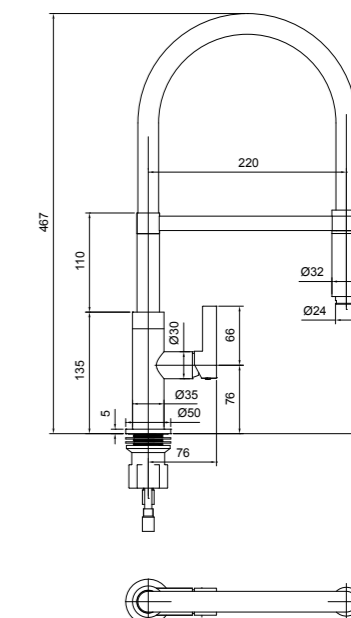


2 year guarantee increased to 5 years when purchased and fitted with Tap Particle Filter



SPIRALE CHROME

1810 Code SPI/01/CH



SPIRALE CHROME

Also available in:



Brushed Steel
SPI/02/BS



Copper
SPI/04/COP



Gunmetal
SPI/05/GM



Gold Brass
SPI/06/GB



Matte Black
SPI/07/MB



Brushed Gold Brass
SPI/08/BGB

- Includes Neoperl Aerator and 1/2" flexible tails
- Min operating pressure 0.5 bar
- Recommended operating pressure 1 bar
- Tap includes hose colour of your choice (see page 141)
- Unless an alternative hose colour is specified at time of order, the Spirale tap will be supplied with a Black hose
- Suggested tap hole cutting size: Ø35



2 year guarantee increased to 5 years when purchased and fitted with Tap Particle Filter

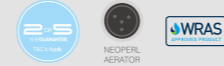


SPIRALE KNURLED CHROME

1810 Code SPI-KNR/01/CH

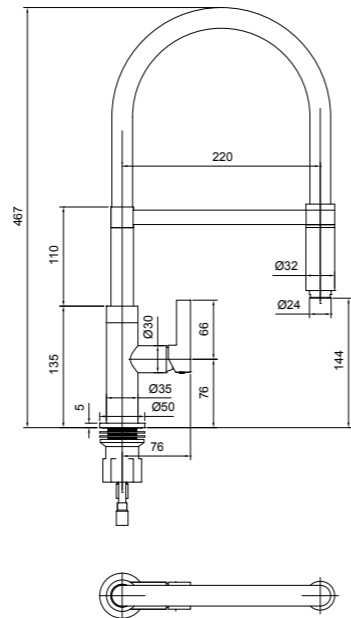
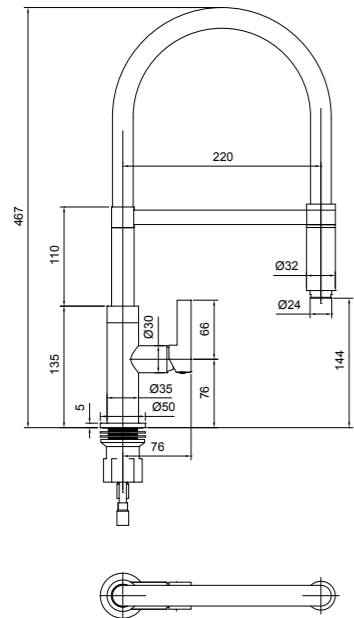


2 year guarantee increased to 5 years when purchased and fitted with Tap Particle Filter



SPIRALE SPRING CHROME

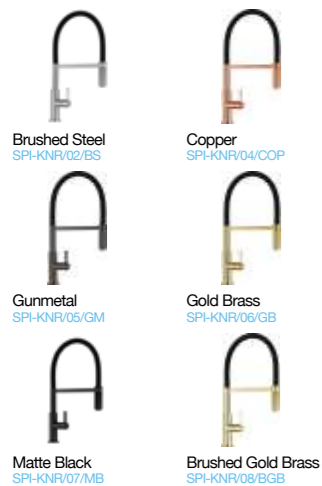
1810 Code SPI-SPR/01/CH



SPIRALE KNURLED CHROME

- Includes Neoperl Aerator and 1/2" flexible tails
- Min operating pressure 0.5 bar
- Recommended operating pressure 1 bar
- Tap includes hose colour of your choice (see page 141)
- Unless an alternative hose colour is specified at time of order, the Spirale tap will be supplied with a Black hose
- Suggested tap hole cutting size: Ø35

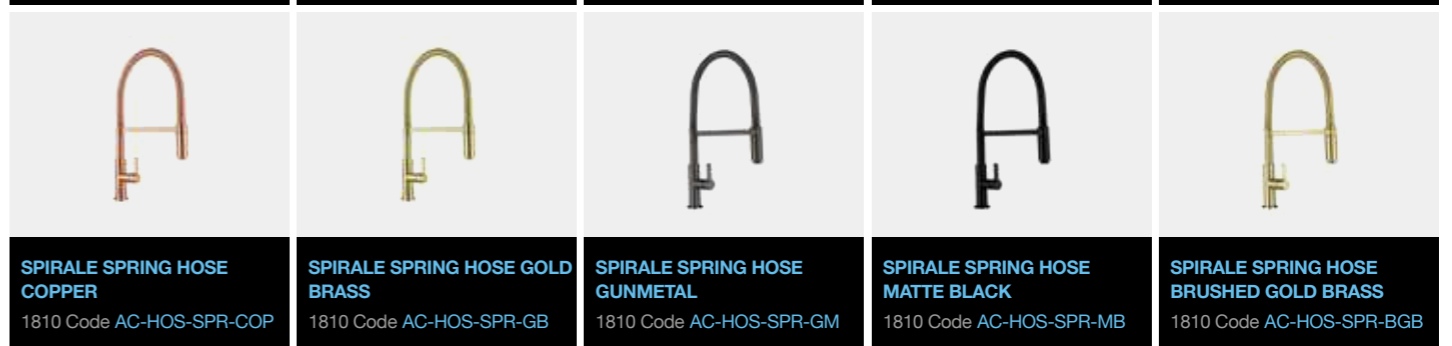
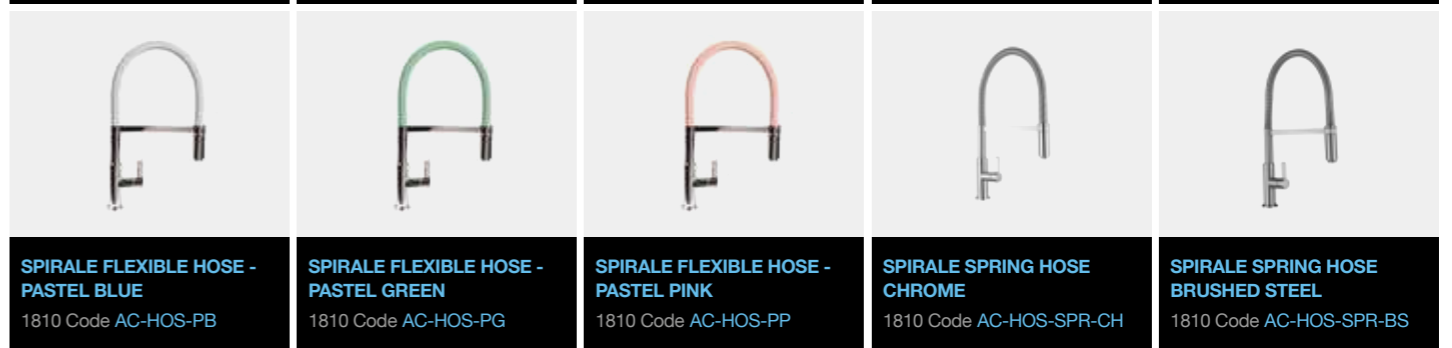
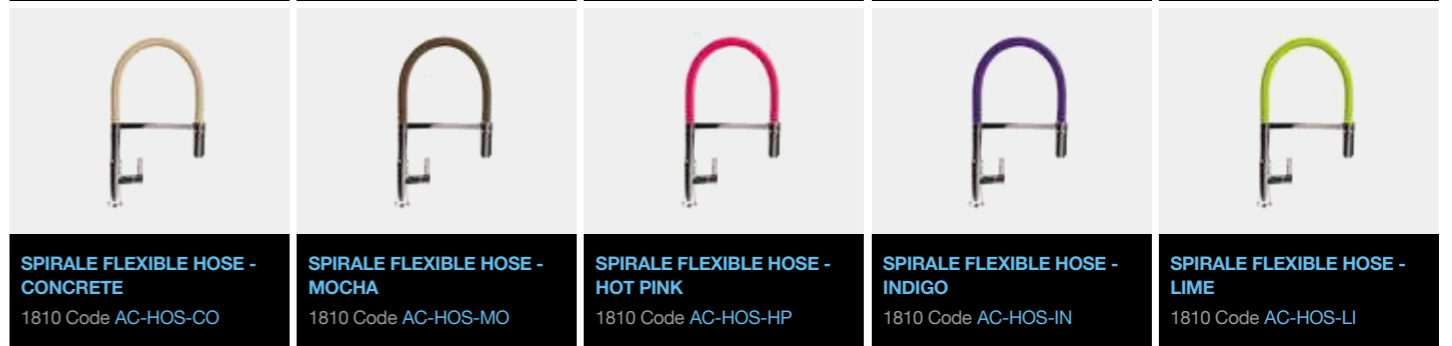
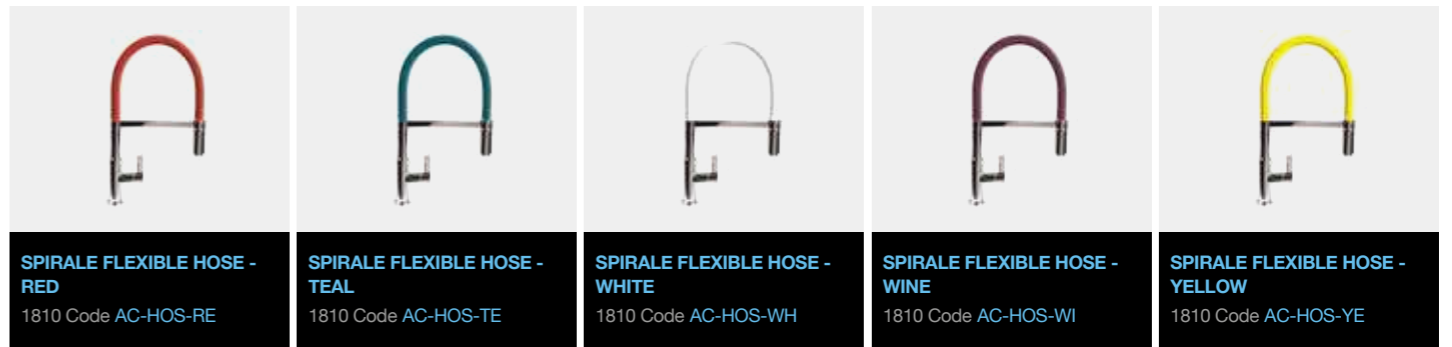
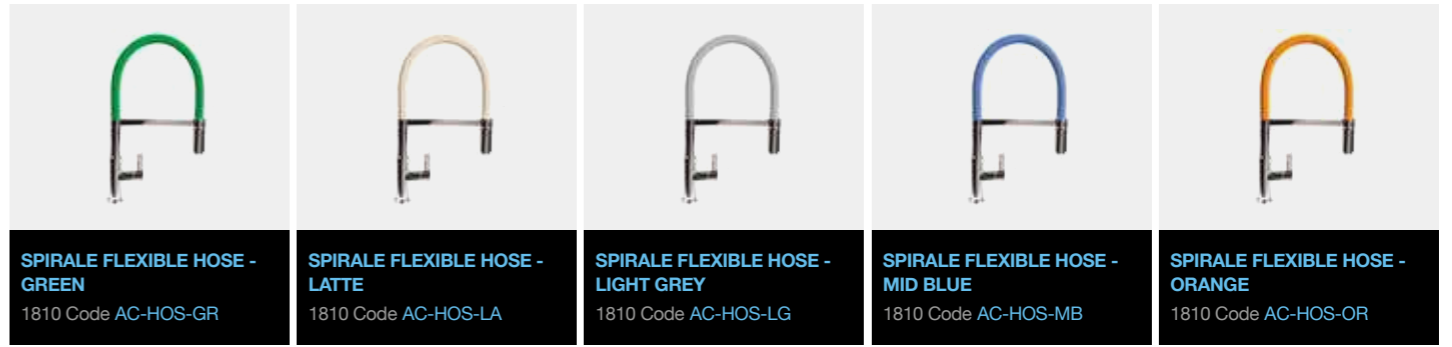
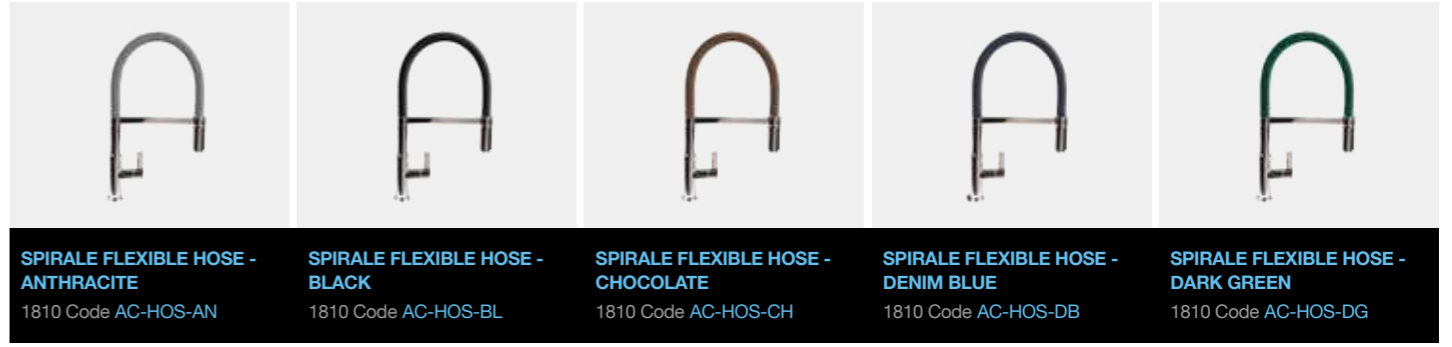
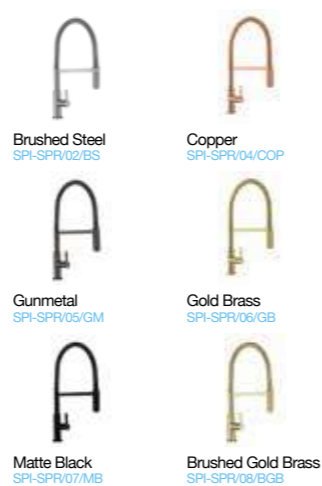
Also available in:

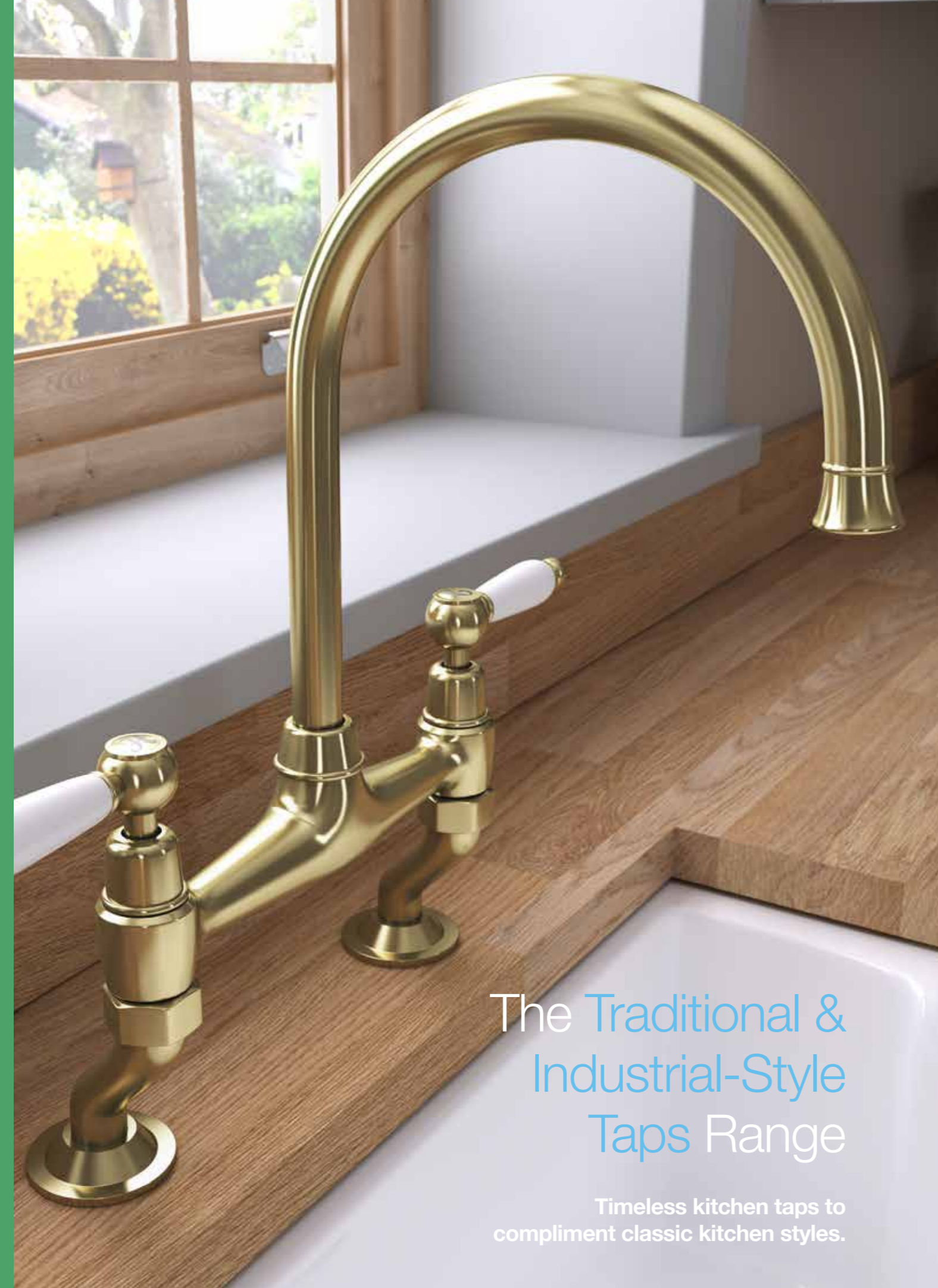


SPIRALE SPRING CHROME

- Includes Neoperl Aerator and 1/2" flexible tails
- Min operating pressure 0.5 bar
- Recommended operating pressure 1 bar
- Suggested tap hole cutting size: Ø35

Also available in:





The Traditional & Industrial-Style Taps Range

Timeless kitchen taps to compliment classic kitchen styles.



2 year guarantee increased to 5 years when purchased and fitted with Tap Particle Filter



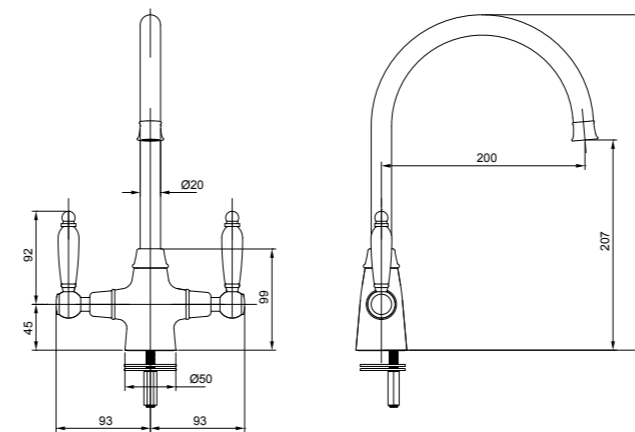
RODEZ TWIN LEVER CHROME
1810 Code ROD/01/CH



2 year guarantee increased to 5 years when purchased and fitted with Tap Particle Filter



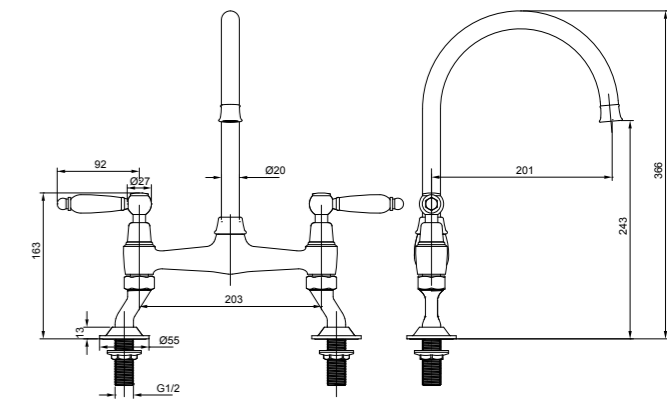
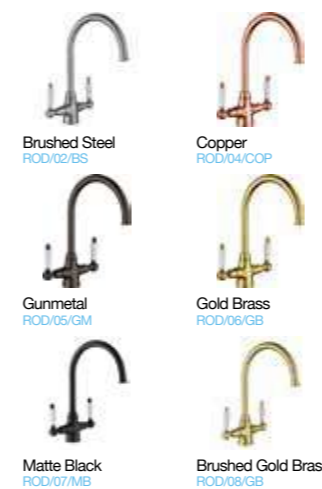
MOULINS CLASSIC BRIDGE MIXER CHROME
1810 Code MOU/01/CH



RODEZ TWIN LEVER CHROME

- Includes Neoperl Aerator and 1/2" flexible tails
- Min operating pressure 0.5 bar
- Recommended operating pressure 1 bar
- Supplied with both black and white handles

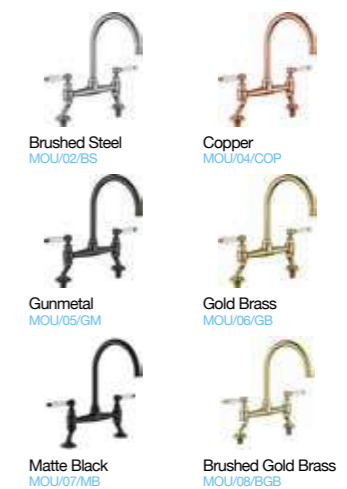
Also available in:



MOULINS CLASSIC BRIDGE MIXER CHROME

- Includes Neoperl Aerator and 1/2" flexible tails
- Min operating pressure 0.5 bar
- Recommended operating pressure 1 bar
- Supplied with both black and white handles

Also available in:



Henry Holt
COLLECTION



1810

The Henry Holt Collection

A range of industrial-style kitchen taps in a choice of seven stylish finishes.



Red handles included.
2 year guarantee increased to 5 years when purchased and fitted with Tap Particle Filter



Red handles included.
2 year guarantee increased to 5 years when purchased and fitted with Tap Particle Filter

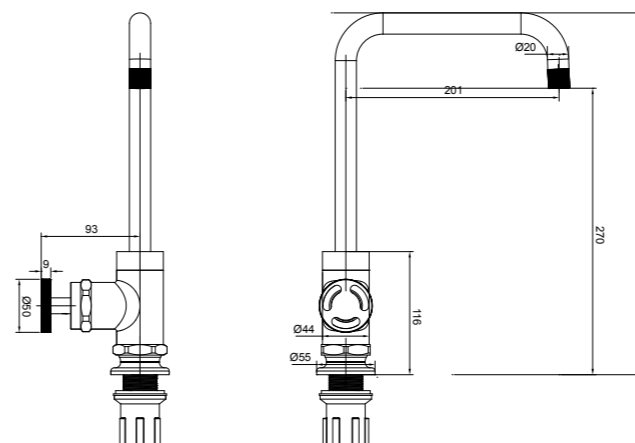


HENRY HOLT COLLECTION SINGLE LEVER CHROME

1810 Code HH-SL/01/CH

HENRY HOLT COLLECTION TWIN LEVER CHROME

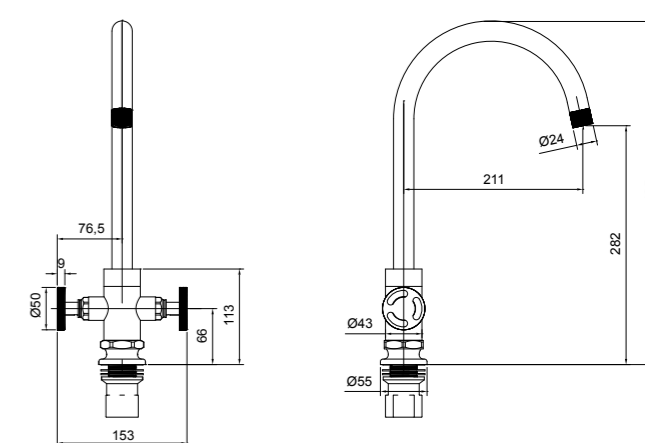
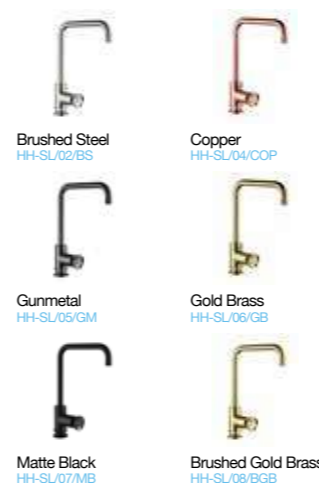
1810 Code HH-TL/01/CH



HENRY HOLT COLLECTION SINGLE LEVER CHROME

- Includes Neoperl Aerator and 1/2" flexible tails
- Min operating pressure 0.5 bar
- Recommended operating pressure 1 bar
- Red Handles also included

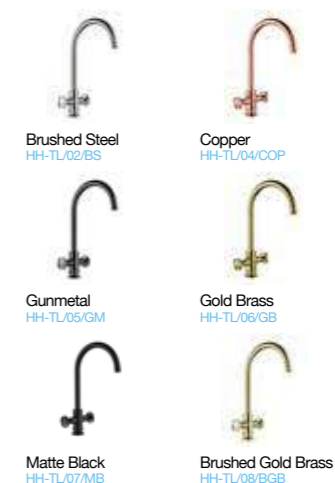
Also available in:



HENRY HOLT COLLECTION TWIN LEVER CHROME

- Includes Neoperl Aerator and 1/2" flexible tails
- Min operating pressure 0.5 bar
- Recommended operating pressure 1 bar
- Red Handles also included

Also available in:





Red handles included.
2 year guarantee increased to 5 years when purchased and fitted with Tap Particle Filter



HENRY HOLT COLLECTION BRIDGE MIXER CHROME

1810 Code HH-BM/01/CH

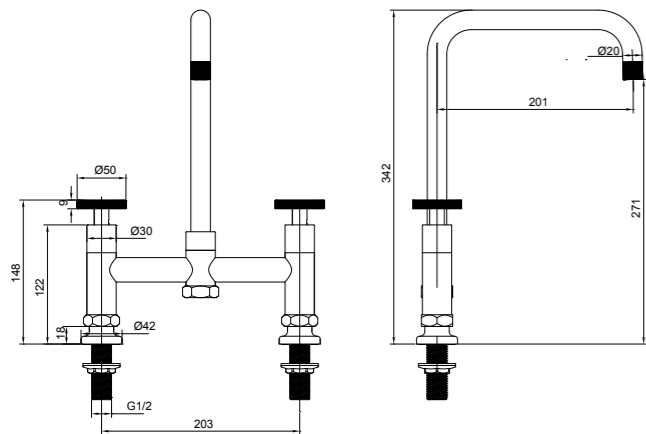


Red handles included.
2 year guarantee increased to 5 years when purchased and fitted with Tap Particle Filter



HENRY HOLT COLLECTION WALL MOUNT CHROME

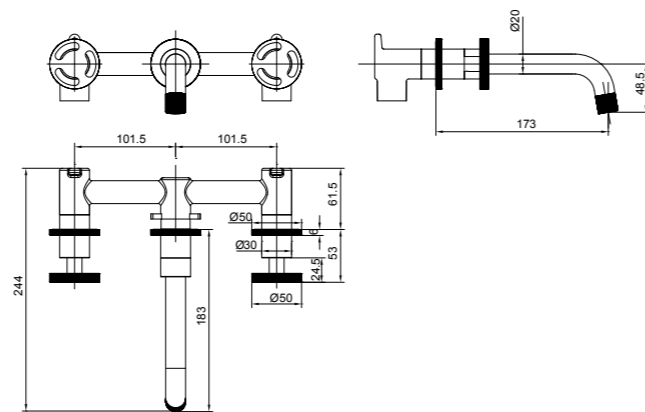
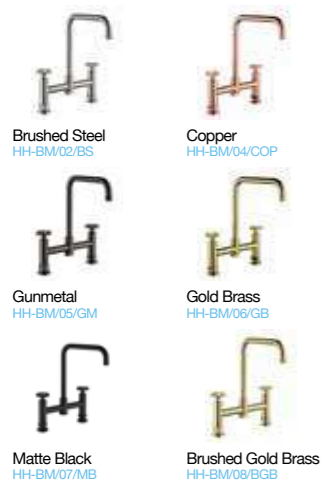
1810 Code HH-WM/01/CH



HENRY HOLT COLLECTION BRIDGE MIXER CHROME

- Includes Neoperl Aerator and 1/2" flexible tails
- Min operating pressure 0.5 bar
- Recommended operating pressure 1 bar
- Red Handles also included

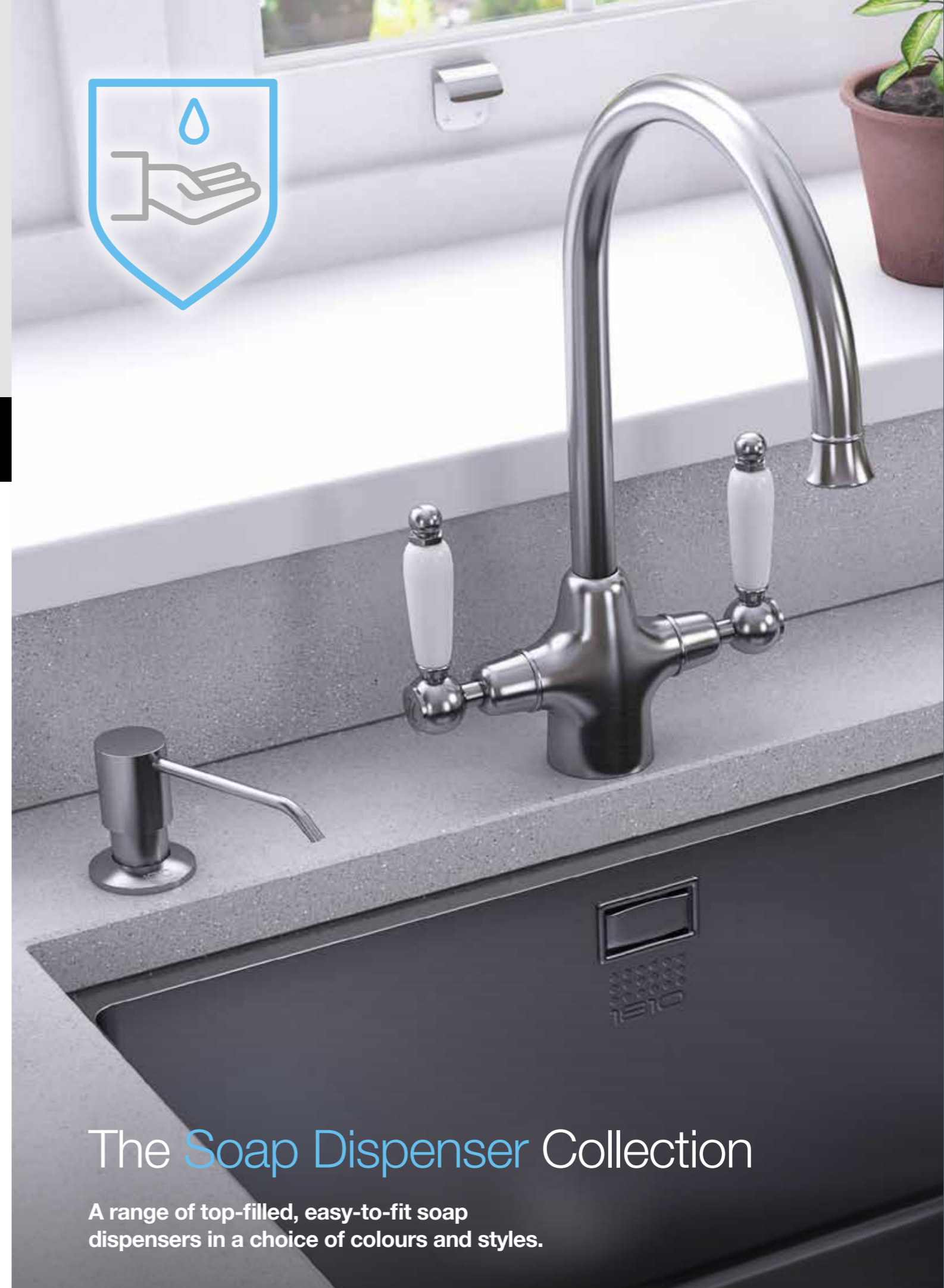
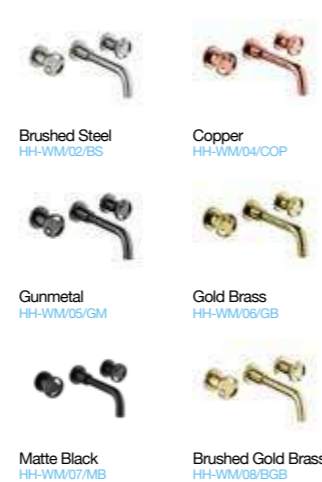
Also available in:



HENRY HOLT COLLECTION WALL MOUNT CHROME

- Includes Neoperl Aerator and 1/2" flexible tails
- Min operating pressure 0.5 bar
- Recommended operating pressure 1 bar
- Red Handles also included

Also available in:



The Soap Dispenser Collection

A range of top-filled, easy-to-fit soap dispensers in a choice of colours and styles.



SOAP DISPENSER - CHROME

1810 Code AC-SOAP/01/CH



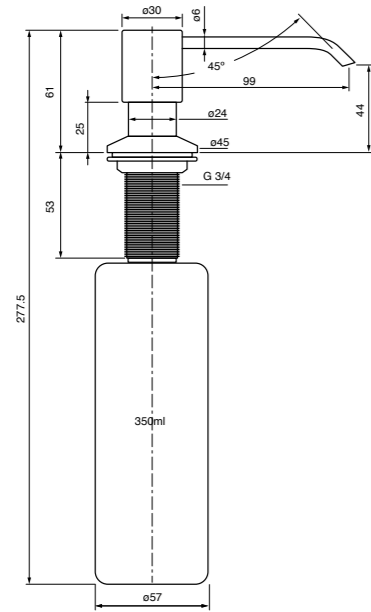
SOAP DISPENSER - HENRY HOLT - CHROME

1810 Code AC-SOAP-HH/01/CH



SOAP DISPENSER - TRADITIONAL - CHROME

1810 Code AC-SOAP-TRAD/01/CH



SOAP DISPENSER CHROME

■ The Integrated Soap Dispenser, a top filled liquid soap dispenser, easy to install and available in a range of colours.

Also available in:

- Top fill
- Easy to install
- 350ml capacity
- Top quality solid brass construction
- Pump action
- 26mm – 29mm cut out



Brushed Steel
AC-SOAP/02/BS



Copper
AC-SOAP/04/COP



Gunmetal
AC-SOAP/06/GB



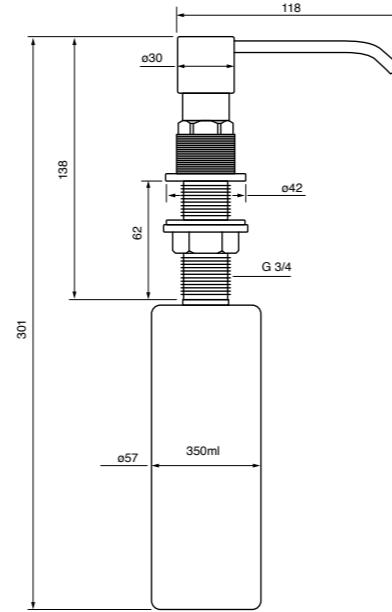
Gold Brass
AC-SOAP/07/MB



Matte Black
AC-SOAP/07/MB



Brushed Gold Brass
AC-SOAP/08/BGB



SOAP DISPENSER CHROME

■ The Henry Holt Soap Dispenser, a top filled liquid soap dispenser, easy to install and available in a range of colours.

Also available in:

- Top fill
- Easy to install
- 350ml capacity
- Top quality solid brass construction
- Pump action
- 26mm – 29mm cut out



Brushed Steel
AC-SOAP-HH/02/BS



Copper
AC-SOAP-HH/04/COP



Gunmetal
AC-SOAP-HH/05/GM



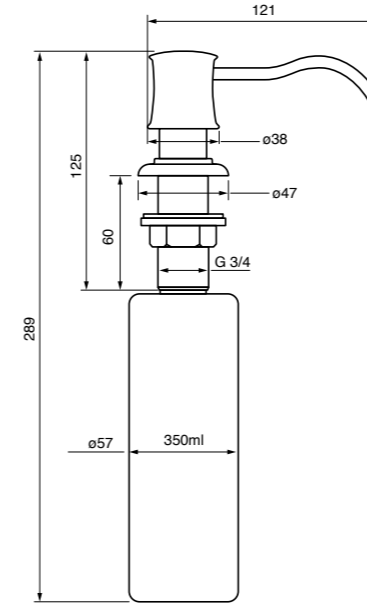
Gold Brass
AC-SOAP-HH/06/GB



Matte Black
AC-SOAP-HH/07/MB



Brushed Gold Brass
AC-SOAP-HH/08/BGB



SOAP DISPENSER CHROME

■ The Traditional Soap Dispenser, a top filled liquid soap dispenser, easy to install and available in a range of colours.

Also available in:

- Top fill
- Easy to install
- 350ml capacity
- Top quality solid brass construction
- Pump action
- 26mm – 29mm cut out



Brushed Steel
AC-SOAP-TRAD/02/BS



Copper
AC-SOAP-TRAD/04/



Gunmetal
AC-SOAP-TRAD/05/GM



Gold Brass
AC-SOAP-TRAD/06/GB



Matte Black
AC-SOAP-TRAD/07/MB



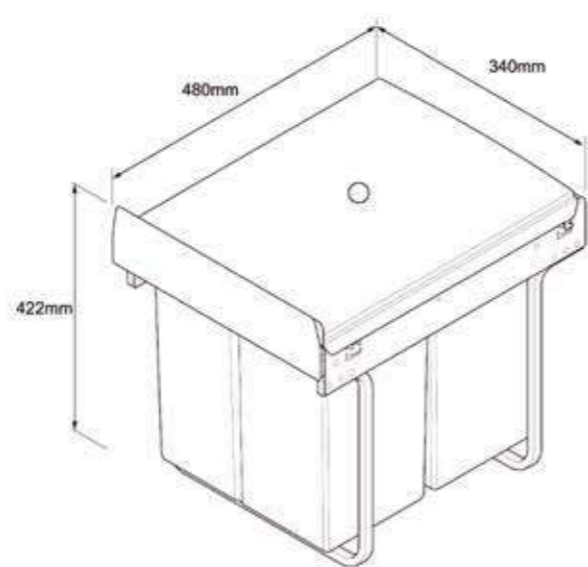
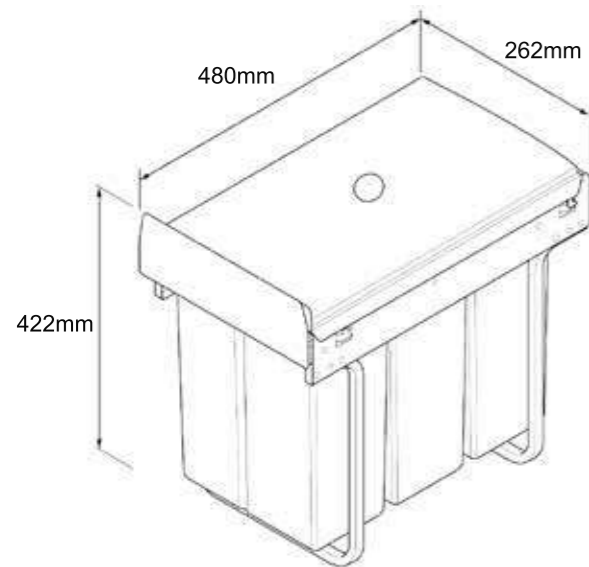
Brushed Gold Brass
AC-SOAP-TRAD/08/





WSB 30 LITRE
1810 Code WSB/30/3X10/099

WSB 40 LITRE
1810 Code WSB/40/1X20-2X10/098

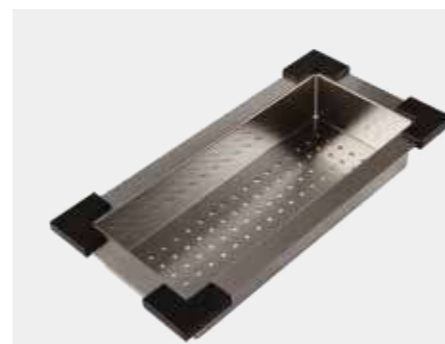


WASTE BIN 3X10 3 X 10 LTR
Min. cabinet size: 400mm

- Conforms to sustainable homes code
- 4 credits
- Suitable to fit under sink bowl
- Bin size: 1 x 20 ltr & 2 x 10 ltr with colour coded handles
- Manual operation with soft close technology
- 2 year warranty

WASTE BIN 1 X 20LTS 2 X 10LTR
Min. cabinet size: 300mm

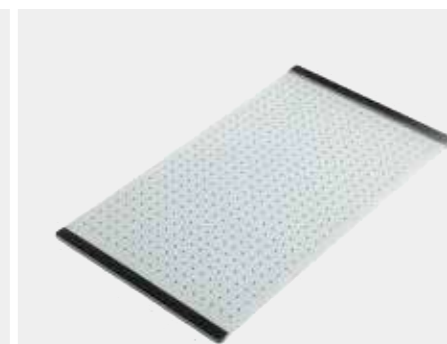
- Conforms to sustainable homes code
- 4 credits
- Suitable to fit under sink bowl
- Bin size: 3 x 10 ltr with colour coded handles
- Manual operation with soft close technology
- 2 year warranty



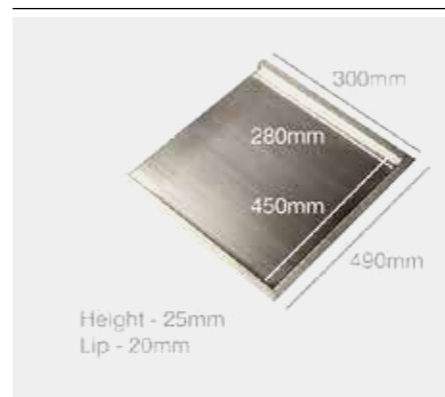
ZEN COLANDER (HALF BOWL)
1810 CODE AC-ZEN-CS



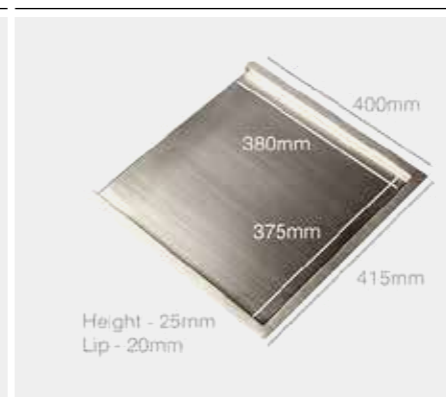
ZEN COLANDER STAINLESS STEEL
1810 CODE AC-ZEN-COL-SS



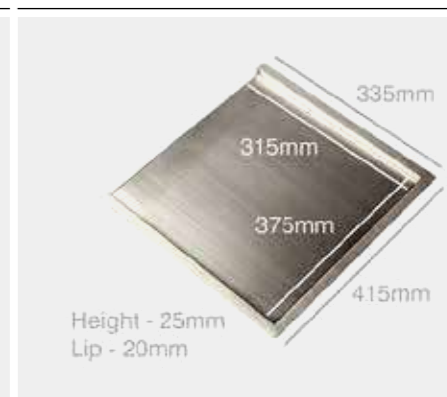
ZEN GLASS CHOPPING BOARD
1810 CODE AC-ZEN-GCB



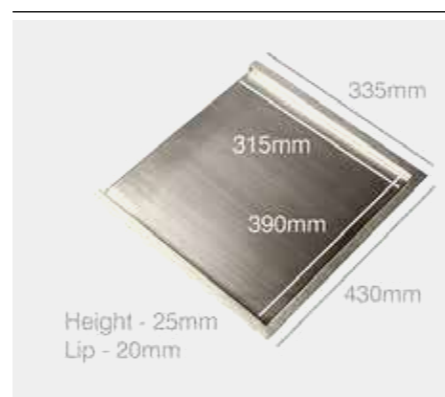
ZEN MOBILE DRAINER I-F
1810 CODE AC-ZEN-IF-MDM



ZEN MOBILE DRAINER LARGE SIZE
1810 CODE AC-ZEN-LGE-MD



ZEN MOBILE DRAINER MEDIUM SIZE
1810 CODE AC-ZEN-MDM-MD



ZEN MOBILE DRAINER MEDIUM SIZE FOR TOPMOUNT
1810 CODE AC-ZEN-MDM-MD/TOP



AXIX COLANDER - STAINLESS STEEL
1810 CODE AC-AXIX-COL-SS



STEEL BASKET ETRO/VELORE
1810 CODE AC-UNI-SWB

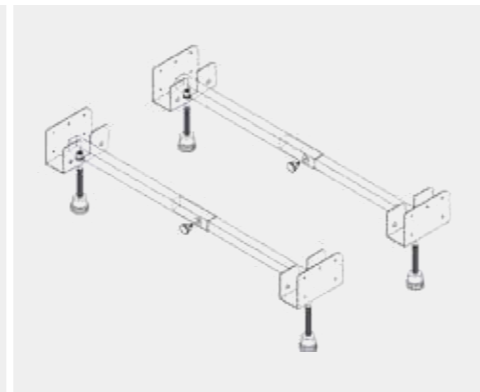




VELOIRE COLANDER
1810 CODE AC-VEL-CS



WASTE TIDY STAINLESS STEEL
1810 CODE AC-UNI-TIDY-SS



SINK SUPPORT BARS - SMALL
450MM X 700MM
1810 CODE AC-SUP-BARS-SM



BASKET STRAINER WASTE FOR BELFAST SINK (PLUG STYLE)
1810 CODE AC-BSW-BEL-SS



BASKET STRAINER WASTE FOR BELFAST SINK STAINLESS STEEL
1810 CODE AC-BSW-BEL-SS



BASKET STRAINER WASTE FOR FIRECLAY SINK STAINLESS STEEL
1810 CODE AC-BSW-FC-SS



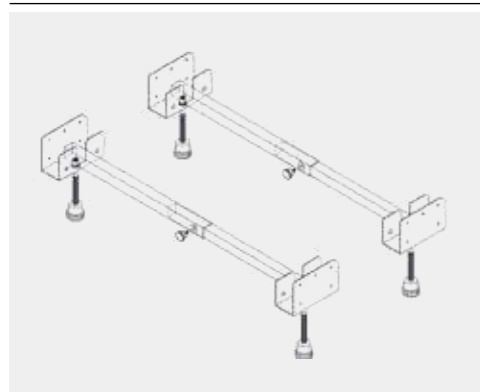
Gunmetal AC-UNI-TIDY-GM
Copper AC-UNI-TIDY-COP
Gold Brass AC-UNI-TIDY-GB
Matte Black AC-UNI-TIDY-MB
NEW

COPPER
GOLD/BRASS
GUNMETAL
BRUSHED GOLD/BRASS
MATTE BLACK

AC-BSW-FC-COP
AC-BSW-FC-GB
AC-BSW-FC-GM
AC-BSW-FC-BGB
AC-BSW-BEL-MB
NEW

COPPER
GOLD/BRASS
GUNMETAL
BRUSHED GOLD/BRASS
MATTE BLACK

AC-BSW-BEL-COP
AC-BSW-BEL-GB
AC-BSW-BEL-GM
AC-BSW-BEL-BGB
AC-BSW-FC-MB
NEW



SINK SUPPORT BARS - LARGE
800MM - 1400MM
1810 CODE AC-SUP-BARS-LG



BASKET STRAINER WASTE WITH O-FLOW - VELOIRE
1810 CODE AC-BSW-O-VELOIRE



BASKET STRAINER WASTE WITH O-FLOW - ETRO
1810 CODE AC-BSW-O



WASTE KIT FOR SINGLE BOWL SINK - COPPER
1810 CODE AC-BSW-PACK1-COP

GOLD/BRASS
GUNMETAL
BRUSHED GOLD/BRASS
MATTE BLACK

AC-BSW-PACK1-GB
AC-BSW-PACK1-GM
AC-BSW-PACK1-BGB
AC-BSW-PACK1-MB
NEW



WASTE KIT WITH O-FLOW & LOZENGE - BRUSHED GOLD BRASS
1810 CODE AC-BSW-PACK1-BGB

WASTE KIT WITH OVERFLOW & LOZENGE - MATTE BLACK
AC-BSW-PACK1-MB



BASKET STRAINER WASTE - COPPER
1810 CODE AC-BSW-COP

GOLD/BRASS
GUNMETAL
BRUSHED GOLD/BRASS
MATTE BLACK

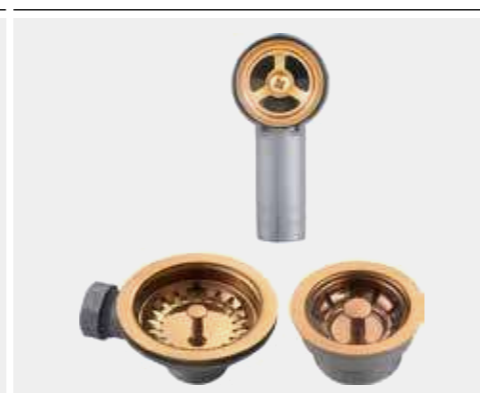
AC-BSW-GB
AC-BSW-GM
AC-BSW-BGB
AC-BSW-MB
NEW



BASKET STRAINER WASTE WITH O-FLOW - ZEN
1810 CODE AC-BSW-O-ZEN



POP-UP BASKET STRAINER WASTE CHROME
1810 CODE AC-BSW-PU



WASTE KIT FOR CERAMIC - COPPER
1810 CODE AC-BSW-PACK2-COP

GOLD/BRASS
GUNMETAL
BRUSHED GOLD/BRASS
MATTE BLACK
BRUSHED GOLD BRASS

AC-BSW-PACK2-GB
AC-BSW-PACK2-GM
AC-BSW-PACK2-BGB
AC-BSW-PACK2-MB
NEW AC-BSW-FC-BGB



MAXIMISER PLUMBING KIT
1810 CODE MPK1-2



COMPACT PLUMBING KIT
1810 CODE CPK1-2



G CLIP X 6 FOR STAINLESS STEEL
1810 CODE GCLIP/6

Z CLIP x 6 FOR CERAMIC

ZCLIP/6



CURVATO TRIO REPLACEMENT FILTER

1810 CODE AC-FILTER-2



TAP FIXING NUT TOOL

1810 CODE AC-TAP-TOOL



TAP PARTICLE FILTER - PACK OF TWO

1810 CODE AC-TAP-PARTICLE-FILTER

SOAP DISPENSER FIXING NUT TOOL

AC-SOAP-TOOL



FINIRE TAP CHROME - ACCESSIBLE HANDLE

1810 CODE FIN/01/CH/HANDLE

- BRUSHED STEEL
- COPPER
- GUNMETAL
- GOLD/BRASS
- MATTE BLACK
- BRUSHED GOLD/BRASS
- FIN/02/BS/HANDLE
- FIN/04/COP/HANDLE
- FIN/05/GM/HANDLE
- FIN/06/GB/HANDLE
- FIN/07/MB/HANDLE
- FIN/08/BGB/HANDLE



The **Display** Range

A selection of display stands to showcase 1810 and SCHOCK taps in your showroom.



TAP DISPLAY UNIT
1810 Code PROMOTAPSTAND

- Tap display unit to display 7 taps
- Can be used to display both 1810 and SCHOCK taps



HENRY HOLT COLLECTION TAP DISPLAY UNIT
1810 Code PROMOTAPSTAND-HH

- Tap display unit to display Henry Holt Collection taps and soap dispensers



Q-FIT TAP DISPLAY
1810 Code PROMOQFITSTAND

- Display unit to show Q-Fit tap installation process



BASE UNIT SIZE GUIDE

MIN. CABINET SIZE: 300MM	PAGE NO.	MIN. CABINET SIZE: 600MM	PAGE NO.	MIN. CABINET SIZE: 800MM	PAGE NO.
AXIXUNO 190U	18	AXIXUNO 500U	21	AXIXUNO 700U	22
AXIXUNO 210U	18	AXIXUNO SET A	23	ZENUNO 675U CURVE	30
ZENUNO 180U	25	AXIXUNO SET B	23	ZENUNO 700U	30
ZENUNO15 200U	37	ZENUNO 500U	28	ZENUNO 700U OSW	31
ZENUNO15 200U PVD COLOURS	46	ZENUNO 500U DEEP	29	ZENDUO 550/180U BBL	32
LUXSOPLUSUNO25 160U	77	ZENUNO 500U OSW	29	ZENDUO 180/550U BBR	33
LUXSOPLUSUNO25 180U	77	ZENDUO 340/180U BBL	31	ZENDUO 340/340U	33
ETROUNO 170U	85	ZENDUO 180/340U BBR	32	ZENUNO15 700U	41
ARGILLA FIRECLAY 250	121	ZENUNO15 500U	39	ZENUNO15 700U OSW	41
		ZENUNO15 500U OSW	39	ZENUNO15 700U DEEP	42
		ZENUNO15 550U	40	ZENUNO15 700U PVD COLOURS	47
		ZENUNO15 550U DEEP	40	ZENUNO 70 I-F BBL DEEP	52
		ZENDUO15 340/180U BBL	42	ZENUNO 70 I-F BBR DEEP	52
		ZENDUO15 180/340U BBR	43	ZENUNO15 700 I-F	56
		ZENUNO15 500U PVD COLOURS	47	ZENDUO15 34/34 I-F BBL	60
		ZENDUO 310/180 I-F BBL	49	ZENDUO15 34/34 I-F BBR	60
		ZENDUO 180/310 I-F BBR	50	ZENUNO10 700 OPTIONS	70
		ZENDUO 6 I-F BBL	53	LUXSOPLUSUNO25 700U	79
		ZENDUO 6 I-F BBR	53	LUXSOPLUSDUO25 500/180U BBL	82
		ZENUNO15 500 I-F	56	LUXSOPLUSDUO25 180/500U BBR	82
		ZENUNO15 55 I-F BBL	58	LUXSOPLUSDUO25 340/340U	83
		ZENUNO15 55 I-F BBR	58	ETRODUO 781/450U BBL	89
		ZENDUO15 6 I-F BBL	59	ETRODUO 781/450U BBR	89
		ZENDUO15 6 I-F BBR	59	ETRODUO 340/340U	91
		ZENUNO15 550U XXL DEEP	62	BORDOUNO 100I LARGE BBL	102
		LUXSOPLUSUNO25 500U	79	BORDOUNO 100I LARGE BBR	102
		LUXSOPLUSDUO25 340/160U BBL	80		
		LUXSOPLUSDUO25 160/340U BBR	80		
		LUXSOPLUSDUO25 340/180U BBL	81		
		LUXSOPLUSDUO25 180/340U BBR	81		
		ETROUNO 550U	87		
		ETRODUO 589/450U REV	87		
		ETRODUO 589/450U BBL	88		
		ETRODUO 589/450U BBR	88		
		RAZORUNO10 55 I-F BBL	94		
		RAZORUNO10 55 I-F BBR	94		
		RAZORDUO10 6 I-F BBL	95		
		RAZORDUO10 6 I-F BBR	95		
		FORZAUNO 100I LARGE BBL	98		
		FORZAUNO 100I LARGE BBR	98		
		FORZADUO 150I BBL	99		
		FORZADUO 150I BBR	99		
		BORDODUO 150I BBL	103		
		BORDODUO 150I BBR	103		
		VELOREDUO 100I REV	106		
		VELOREUNO 100I REV LARGE	106		
		BILANCIODUO 965I REV	110		
		ZEN CONTRATTO 500U	113		
		ZEN CONTRATTO 340/160 BBL	113		
		ZEN CONTRATTO 160/340 BBR	114		
		ZEN CONTRATTO 340/180 BBL	114		
		ZEN CONTRATTO 180/340 BBR	115		
		MAYA 595 PURQUARTZ BELFAST	117		
		MAYA 595 PURQUARTZ BELFAST	117		
		ETRODUO 343/136UC CERAMIC	119		

MIN. CABINET SIZE: 400MM	PAGE NO.	MIN. CABINET SIZE: 450MM	PAGE NO.	MIN. CABINET SIZE: 900MM	PAGE NO.
AXIXUNO 355U	19	ZENUNO 400U	27	ZENDUO 400/400U	34
ZENUNO 340U	26	ZENUNO 400U DEEP	27	ZENDUO 415/415U DEEP	34
ZENUNO 340U DEEP	26	ZENUNO15 400U	38	ZENDUO15 550/200U BBL	43
ZENUNO15 340U	38	ZENUNO15 400U PVD COLOURS	46	ZENDUO15 200/550U BBR	44
LUXSOPLUSUNO25 340U	78	ZENUNO15 400 I-F	55	ZENDUO15 400/400U	44
ETROUNO 340U	86	ZENUNO15 34 I-F ACCESSIBLE BBL	67	ZENUNO15 750U XXL DEEP	62
		ZENUNO15 34 I-F ACCESSIBLE BBR	67	ZENUNO10 800 OPTIONS	69
		ETROUNO 400U	86	ETRODUO 535/191U BBL	90
		ZEN CONTRATTO 400U	112	ETRODUO 191/535U BBR	90

MIN. CABINET SIZE: 500MM	PAGE NO.	MIN. CABINET SIZE: 1000MM	PAGE NO.	MIN. CABINET SIZE: 1200MM	PAGE NO.
AXIXUNO 450U	20	ZENDUO 700/180U GRANDE DEEP	35	ZENDUO10 1100 OPTIONS	70
ZENUNO 450U	28	ZENTRIO 340/180/340U	35		
ZENUNO 45I-F DEEP	50	ZENDUO15 550/340U XXL DEEP BBL	63		
ZENUNO 5I-F BBL	51	ZENDUO15 340/550U XXL DEEP BBR	63		
ZENUNO 5I-F BBR	51	LUXSOPLUSDUO25 450/450U	83		
ZENUNO15 5 I-F BBL	57	ETROTRIO 960/450U	91		
ZENUNO15 5 I-F BBR	57				
ZENUNO10 400 OPTIONS	69				
LUXSOPLUSUNO25 450U	78				
RAZORUNO10 5 IF BBL	93				
RAZORUNO10 5 IF BBR	93				
FORZAUNO 800I BBL	97				
FORZAUNO 800I BBR	97				
BORDOUNO 800I BBL	101				
BORDOUNO 800I BBR	101				
VELOREUNO 860I	105				
BILANCIUNO 860I REV	109				
ZEN CONTRATTO 450U	112				
ARGILLA FIRECLAY 450	121				

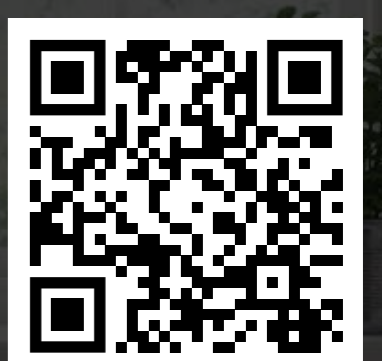
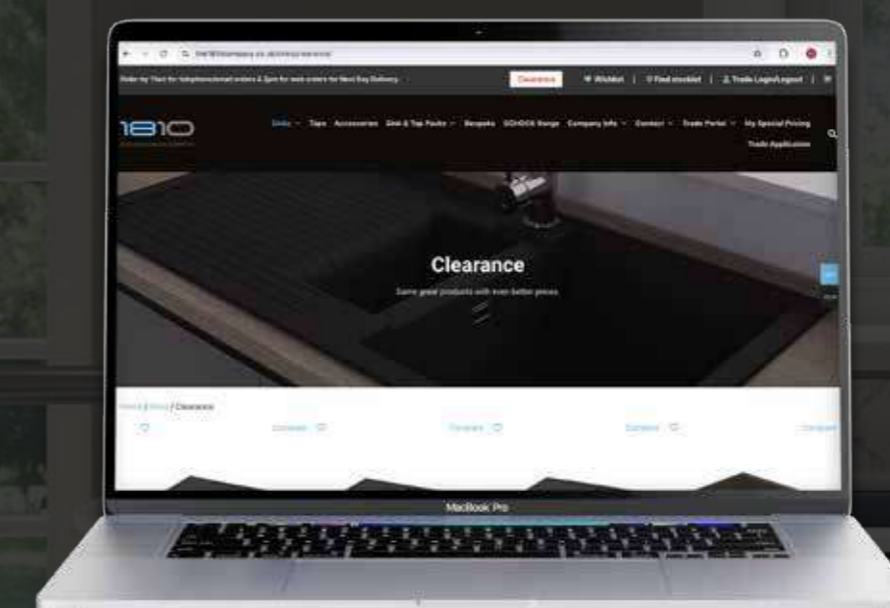
MIN. CABINET SIZE: 550MM	PAGE NO.
BILANCIUNO 965I REV	110

GREAT DEALS WAITING FOR YOU!

The Clearance Section can be found on our website www.the1810company.co.uk where you can make the most of a selection of our great quality products at even better prices.

Please note: All items included in the Clearance Section are only available while stocks last.

If you have any questions regarding items included in the clearance offers, please email isdt@the1810company.co.uk



SCAN THE QR CODE TO VISIT OUR WEBSITE

Errors and Omissions.

Although every precaution is taken with the content of this brochure, errors can occur.

If you find an error, please contact us at: sales@the1810company.co.uk

The 1810 Company
 Units 14-16
 Bromfield Industrial Estate
 Queens Lane Mold CH7 1JR
 t. +44 (0) 1978 660 770
 f. +44 (0) 1978 660 771
 e. sales@the1810company.co.uk
 w. www.the1810company.co.uk

SCHOCK UK
 Units 14-16
 Bromfield Industrial Estate
 Queens Lane Mold CH7 1JR
 t. +44 (0) 1978 660 770
 f. +44 (0) 1978 660 771
 e. sales@the1810company.co.uk
 w. www.schocksinks.co.uk

London Showroom
 Suite 303 Business Design Centre
 52 Upper Street Islington
 London N1 0QH
 t. +44 (0) 1978 660 770
 f. +44 (0) 1978 660 771
 e. sales@the1810company.co.uk
 w. www.the1810company.co.uk

Care & Cleaning

General care of The 1810 Company stainless steel sink and tap

Sinks

Discolouration and most marks on stainless steel are caused by water-borne deposits clinging to its surface. They are always the result of an outside source rather than coming from the steel itself. Such stains are often seen as a "rainbow-effect" and can be avoided completely by removing wet cleaning aids (cloths, containers etc.) from the sink after use so as to avoid watermarking and rust stains. One of the best ways to care for the sink is to clean it with a product called 'Quean Clean' (available from www.queanclean.co.uk) which can be used as required. It will also remove grease and limescale. It is helpful to dry the sink thoroughly after cleaning.

Avoid:

- the use of plastic bowls for washing up, as these cause heavy localised scratching;
- leaving salt, vinegar, citric fruit juices, mustard or pickles on the surface for any length of time as they can cause corrosion;
- abrasive cleaners such as bleach, scourers or wire woolpads.

Taps

Care needs to be taken not to damage the tap finish – cleaning should be gentle with a rinsed soft mild soapy cloth only. If limescale is a problem around the nozzle then gentle use of a small brush with some lemon juice will help alleviate the problem –taking care to rinse away any remaining lemon juice from the tap.

Scratching – stainless steel

The surface scratches which appear on stainless steel sinks rarely have any appreciable depth and will become less noticeable with age. A stainless steel sink will develop a patina with time and will look better a year after installation than during the first few months of use due to the fact that the scratching will have evened out. All sinks manufactured in stainless steel perform in exactly the same way in this respect be they manufactured by The 1810 Company or a competitor. We recommend the use of 'Quean Clean' which when used regularly will assist in maintaining your sink.

We would point out that the use of a plastic washing up bowl will over time cause the development of regular abrasion marks over the sink's surface. Inox Cream – for use on stainless steel to be used after 'Quean Clean'. To use the Inox Cream, apply with a damp cloth (like a J-Cloth) using circular motions, allow to dry (to a white powder), then buff off with kitchen roll. The Inox Cream forms a waterproof layer on your sink, which helps the water drain off easier.

Rust Spots – stainless steel

The 1810 Company are extremely stringent in the quality and standards required from the steel suppliers. The material used is high quality stainless steel which is metallurgically incapable of rusting or corroding in normal household conditions.

It can, however, harbour ferrous particles from the water supply and these often occur with newer installations when the pipework is disturbed, or from 'wire' scouring pads or utensils. These filings get deposited and cling to the sink surface and unless removed will rust.

In this instance we would recommend that the sink is cleaned thoroughly using 'Quean Clean'. This should be sprinkled onto the sink and scrubbed into a paste with a stiff nylon nailbrush (NB simply using a nylon washing up brush is not sufficient as the product needs to be worked into the 'valleys' of the texture of the sink), which should be left on the sink for at least thirty minutes before thoroughly rinsing off.

We would point out that unless the particles are completely removed they will return. It is therefore very important that after cleaning the sink, it is dried thoroughly.

This process needs to continue at least daily for a period of 7 to 10 days until the problem disappears. The problem is sometimes particularly obstinate to remove and it may take several attempts to restore the sink to its pristine condition.

Care & Cleaning of your Ceramic Sink

Cleaning

Your new 1810 Ceramic Sink is a high quality product, and has an impervious surface that is resistant to most household cleaning products and chemicals. Our products are carefully tested to be sure they perform to the highest standards. Please use a damp clean cloth for general cleaning.

Should you need to remove grease, soap and water marks, a proprietary bathroom cleaner should be used. Please be sure that the products are non abrasive, as they will dull the gloss surface of the product if used. Using a diluted bleach solution twice weekly applied with a sponge or soft cloth, then rinsed thoroughly with lots of water, will maintain the surface shine and keep your sink hygienically clean.

(NB: Care should always be taken when using bleach, please read manufacturers instructions for use.) Tougher limescale deposits can usually be removed using household vinegar or similar vinegar solutions. Care should be taken when using substances containing fluoride. Always ensure that any deposits are removed immediately before they can cause damage to the sinks surface. Any stubborn marks on the surface can be removed by liquid or cream bathroom cleaner, but marks such as those caused by iron or aluminium saucepans or similar objects can be removed using specialist cleaning products such as 'Astonish Oven and Cookware Cleaner' which are available from most supermarkets or online at 'www.astonishcleaners.com'.

Care

Your new sink has a glazed ceramic surface, which although very strong, can be damaged by sharp metallic objects such as cutlery. Special care must be taken not to drop metal objects onto the surface of your sink.

Care & Cleaning of your Purquartz Sink

Daily cleaning may be done with any non-abrasive cleaner. After every use, rinse and wipe the sink dry with a clean, soft cloth to eliminate any water spots or soap film build-ups.

REMOVING STAINS AND MINOR SCUFF MARKS:

Normal Stains - for stains, please use a mild abrasive cleanser, along with a soft scouring pad. Stubborn Stains - A solution of 50% bleach, 50% water should only be used for tough, stubborn stains. Let the solution sit in the bottom of the sink for one hour; then scrub. Rinse well.

LUSTRE: Mineral oil applied with a damp cloth can be used to restore the lustre.

MISCELLANEOUS: To remove Calcium Deposits (a white ring around the bottom of your sink) use a lime scale cleaner.

To remove adhesive labels: use Acetone (nail polish remover).

WHAT NOT TO USE:

- Do not use any abrasive cleaning agents or scrub pads, such as Steel wool
- Straight bleach
- Commercial alkalis, such as ammonia and/or caustic solutions
- Drain blocking chemicals that involve filling the sink with water

Note: Always test any stain removers in a small, non-visible location

Care & Cleaning of your PVD Sink

We would advise that the sink is cleaned after each use with soapy water. To dry, use a soft cloth or sponge. This will help prevent water spotting and mineral build-up on the surface of the sink.

- Never use steel wool in or on the sink (as it may leave steel deposits on the sink, which can cause rust)
- Avoid all abrasive and aggressive chemicals.
- Avoid using harsh chemicals or bleaches.
- Avoid prolonged contact with ordinary steel containers (eg. Tin cans) as it may rust and stain the sink
- Avoid prolonged exposures to acids from fruits, fruit juices, salts, tea bags etc, as these may leave stains
- Avoid leaving liquid soaps, hand sanitizing liquids etc on the surface, as these may leave stains.

Warranty Information

The 1810 Company products feature the highest degree of technology, quality and design. As a result, we are proud to offer the following warranty.

Sinks

The 1810 Company warrants its sinks to be free of manufacturing defects in material and workmanship under normal residential usage for 75 years.

Taps

All taps installed in a private residence carry a 2 year warranty on all mechanical parts to be free of manufacturing defects in material and workmanship under normal usage. The Warranty can be extended to 5 years by installing our tap particle filters which can be purchased separately. All finishes carry a 5 year warranty.

General

In the event of a warranty claim the owner will be required to provide proof of purchase in the form of a sales receipt. This warranty covers all components which make the product operational. The 1810 Company, at its option, may repair or replace the product or components necessary to restore the product to good working condition. The 1810 Company reserves the right to inspect the installation prior to the actual replacement of the product or component part.

This warranty does not cover misuse or abuse, accidental damages, scuffs or scratches, improper installation, abnormal usage, negligence or damage caused by improper maintenance or cleaning. Normal wear of parts is excluded from the warranty. Damage caused by impurities or acts beyond our control are not covered. Any product or part which has been repaired or altered in any manner outside of The 1810 Company's factory, unless previously authorised in writing by The 1810 Company, will void warranty. Any replacement excludes transportation and any labour re-installation costs.

Returns and Damages Policy

All items must be checked thoroughly on the day of delivery and any damages must be reported within 24 hrs.

Goods which are no longer required or purchased incorrectly may be returned at the companies discretion with a handling fee of no less than 20% or £30 whichever is the greater, being applied.

All items being returned must be in their original resaleable condition, including packaging and any accompanying items such as basket strainer wastes and plumbing kits etc. Any missing items will be charged against the credit.

Please note: We do not accept returns of Purquartz, Schock or Fireclay sinks.

SA37364 / PRODUCT RANGE 2024
Design by weareable.uk.com

Head Office

Units 14-16 Bromfield Industrial Estate
Queens Lane Mold CH7 1JR

t. +44 (0) 1978 660 770

f. +44 (0) 1978 660 771

e. sales@the1810company.co.uk

w. www.the1810company.co.uk

London Showroom

Suite 303 Business Design Centre
52 Upper Street Islington London N1 0QH

t. +44 (0) 1978 660 770

f. +44 (0) 1978 660 771

e. sales@the1810company.co.uk

w. www.the1810company.co.uk

Ireland

t. 01 485 4472 (ROI)

t. +44 (0) 1978 660 770

f. +44 (0) 1978 660 771

e. sales@the1810company.ie

w. www.the1810company.com

1810

A SCHOCK GROUP COMPANY

